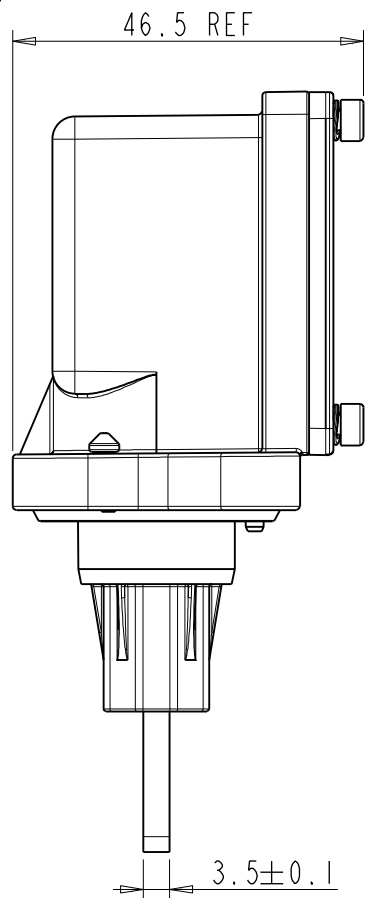
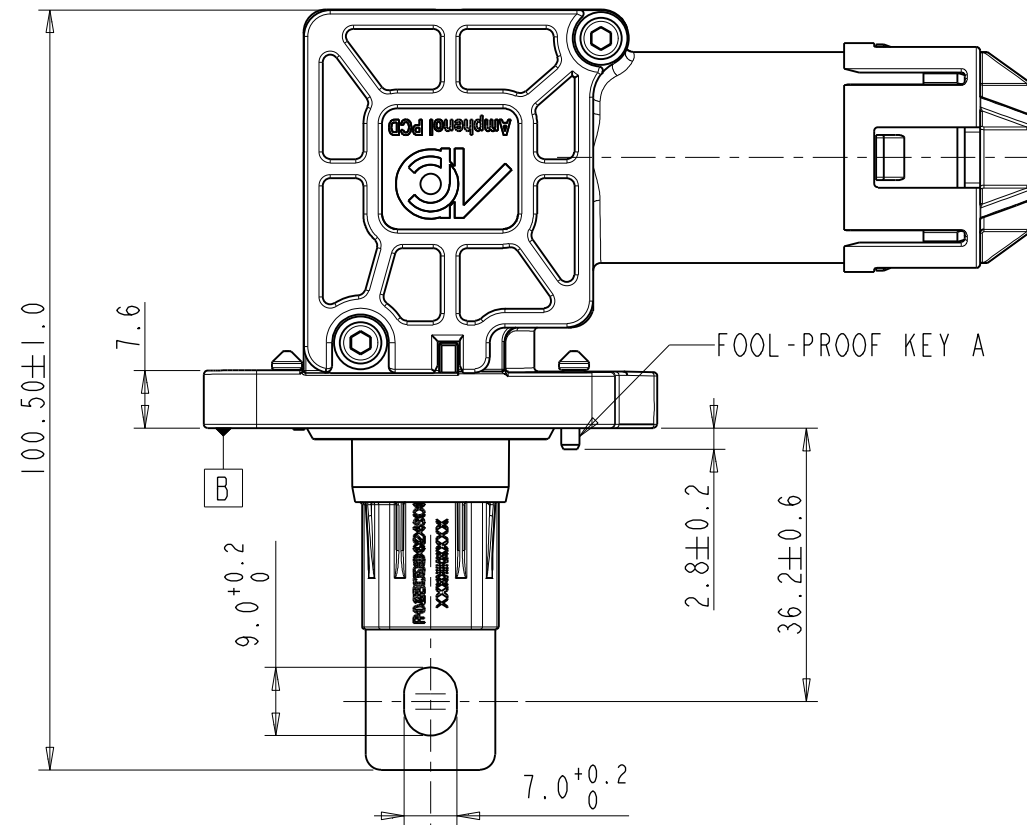


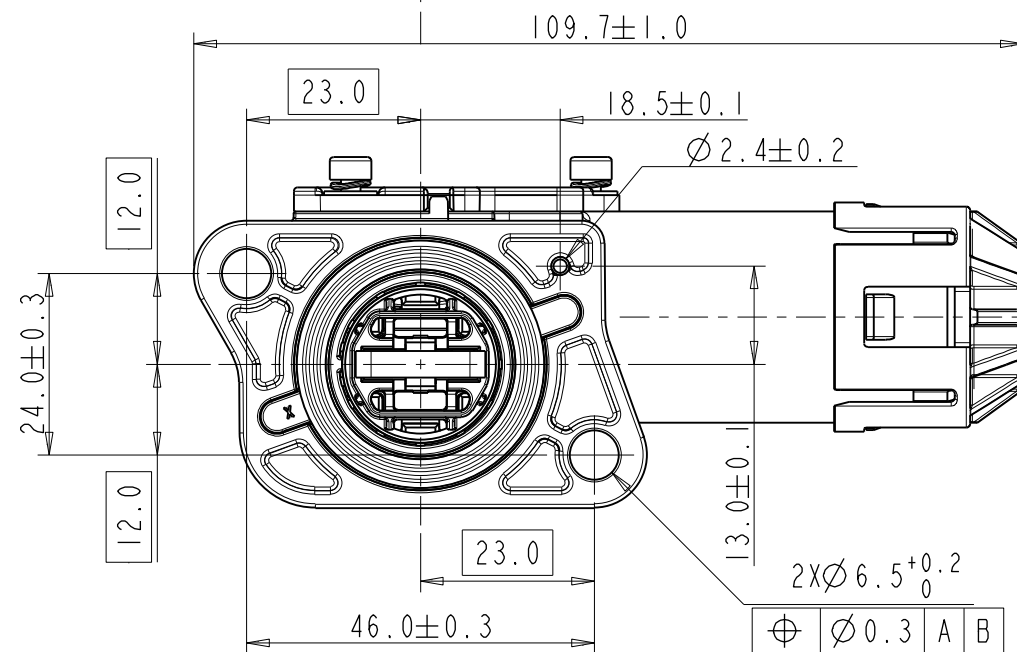
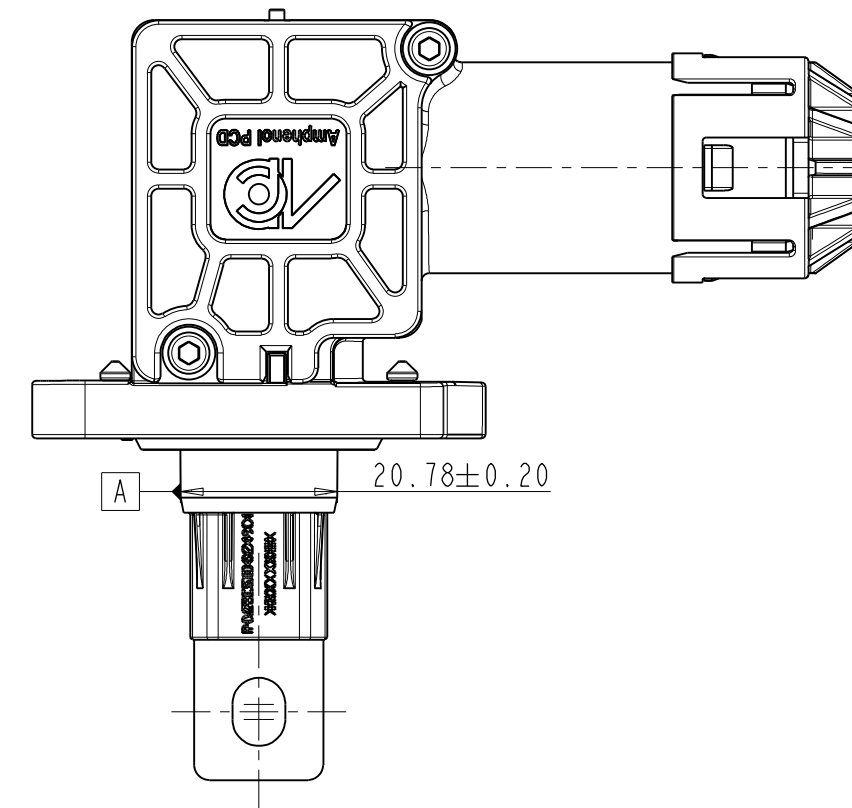
Amphenol PCDs
ORIGINAL
PDF Format
R&D



HVPC50AXXS01 FOLL-PROOF KEY A



HVPC50NXXS01 NO FOLL-PROOF KEY



I. TECHNICAL DATA

TECHNICAL DATA		
CURRENT RATE (50MM ² SHIELD CABLE)	250A @ AMBIENT 85°C	+
CURRENT RATE (35MM ² SHIELD CABLE)	150A @ AMBIENT 85°C	+
CURRENT RATE (25MM ² SHIELD CABLE)	120A @ AMBIENT 85°C	+
RATING VOLTAGE (OVERVOLTAGE CATEGORY II POLLUTION DEGREE 2)	1000V DC	+
OPERATING TEMPERATURE	-40~140°C	
DIELECTRIC WITHSTANDING VOLTAGE	3000V AC(RMS)	+
INSULATION RESISTANCE	200MΩ MIN. @25°C	+
LOCK TIMES	10 MIN	⊙
SHIELDING	YES	
WATERPROOF (MATED CONDITION)	IPX7 & IP6K9K	+
PROTECTION LEVEL(MATED)	IPXXD	+
AMBIENT TEMPERATURE	-40~85°C	
RoHS&REACH	YES	+

DIMENSIONS	TOLERANCES	PROJECTION	TITLE		
ANSI Y14.5M	.X ±0.5		HVPC50 CONTACT		
UNITS: MM	.XX ±0.05				
Pro/E FILE	ANGLES ±2°	ENGR	Jul-05-2023		
ORIGINAL	THIS DOCUMENT CONTAINS PROPRIETARY INFORMATION WHICH IS THE CONFIDENTIAL PROPERTY OF Amphenol PCD Shenzhen Co. Ltd Amphenol PCD Shenzhen Co. Ltd RESERVES THE RIGHT TO CLARIFY THIS DRAWING		CHKD	APPD	
			SIZE	DWG NO.	REV
			A3	C-HVPC50XXXS01	4
			SCALE: 1:2		SHEET 1 OF 2

C-HVPC50XXXS01

2. HOW TO ORDER

TABLE 1:

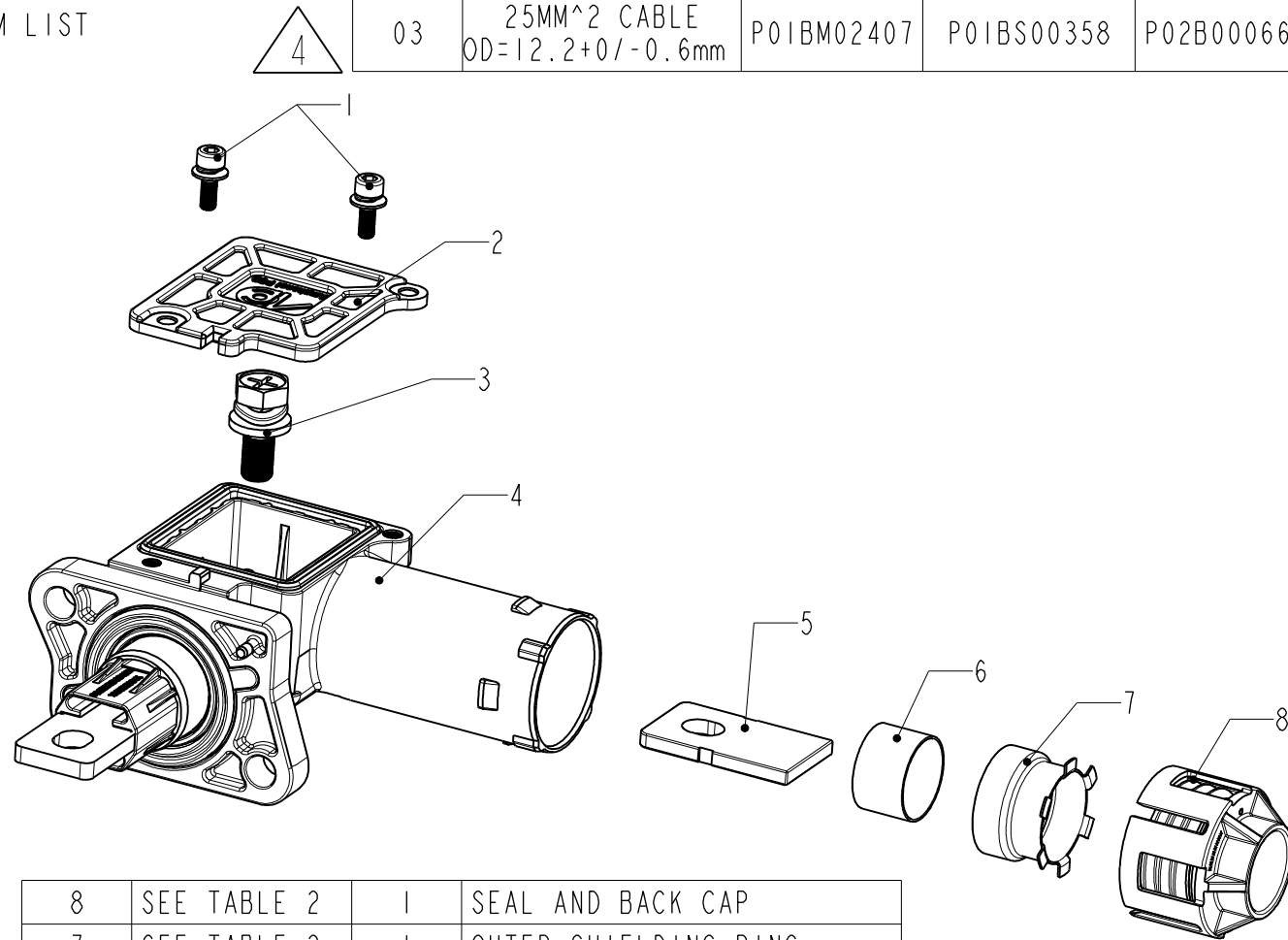
KEY CODE	DESCRIPTION	4# PART
N	NO KEY	P02B000424
A	A KEY	P02B00042401

TABLE 2:

CABLE CODE	DESCRIPTION	6# PART	7# PART	8# PART
01	50MM ² CABLE OD=15.8+0/-0.6mm	P01BM01753	P01BS0035801	P02B000426
02	35MM ² CABLE OD=14.4+0/-0.6mm	P01BM01727	P01BS00358	P02B000412
03	25MM ² CABLE OD=12.2+0/-0.6mm	P01BM02407	P01BS00358	P02B000667

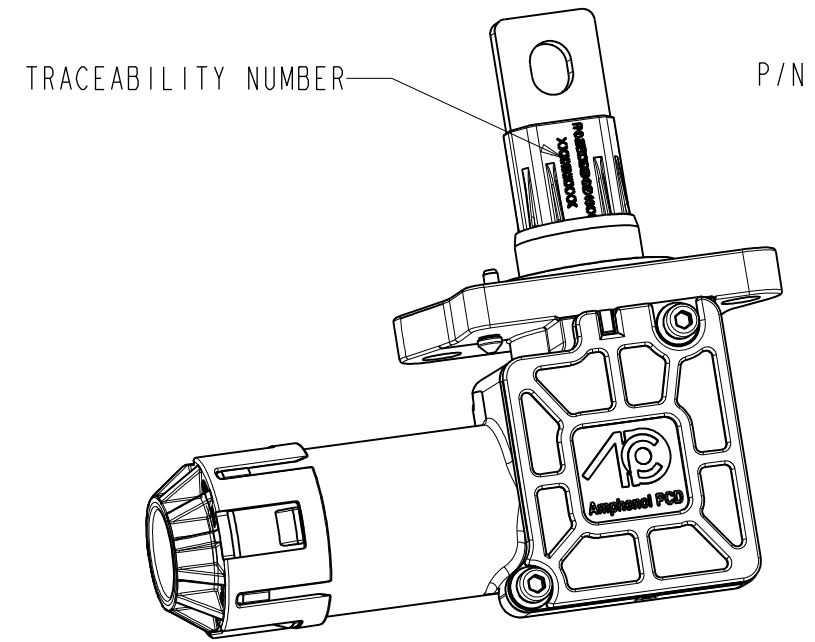
CABLE SIZE:
01: 50MM² CABLE
02: 35MM² CABLE
03: 25MM² CABLE

3. BOM LIST

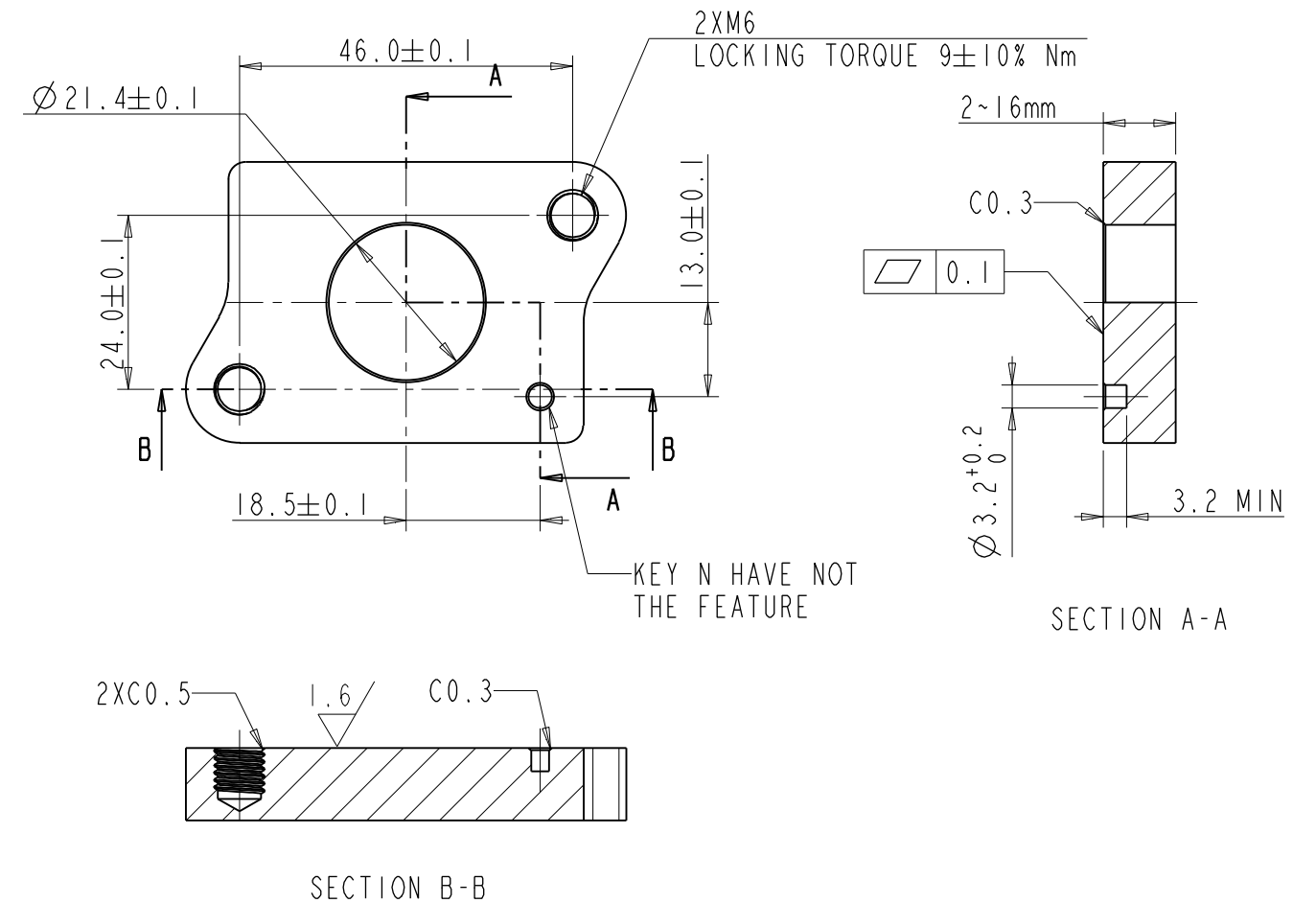


ITEM	P/N	QTY	DESCRIPTION
8	SEE TABLE 2	1	SEAL AND BACK CAP
7	SEE TABLE 2	1	OUTER SHIELDING RING
6	SEE TABLE 2	1	INNER SHIELDING RING
5	P01BM01726	1	TERMINAL
4	SEE TABLE 1	1	MAIN BODY
3	P01BN01524	1	M6 STUD LOCKING TORQUE 9±10% Nm
2	P01BM01723	1	UPPER COVER PLATE
1	P01BN01523	2	M3 STUD LOCKING TORQUE 1.2±10% Nm

4. P/N AND TRACEABILITY NUMBER DESCRIPTION



5. PANEL SPECIFICATION



SIZE	DWG NO.	REV
A3	C-HVPC50XXXS01	4
SCALE: 1:2		SHEET 2 OF 2