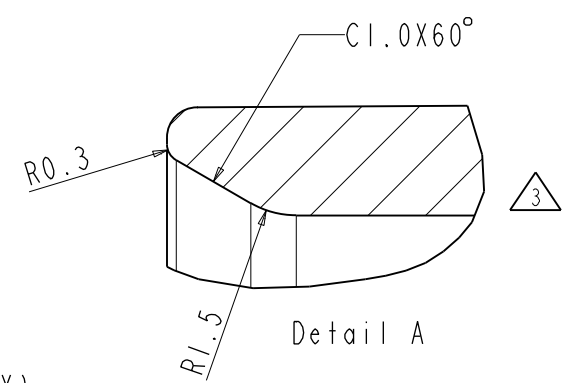
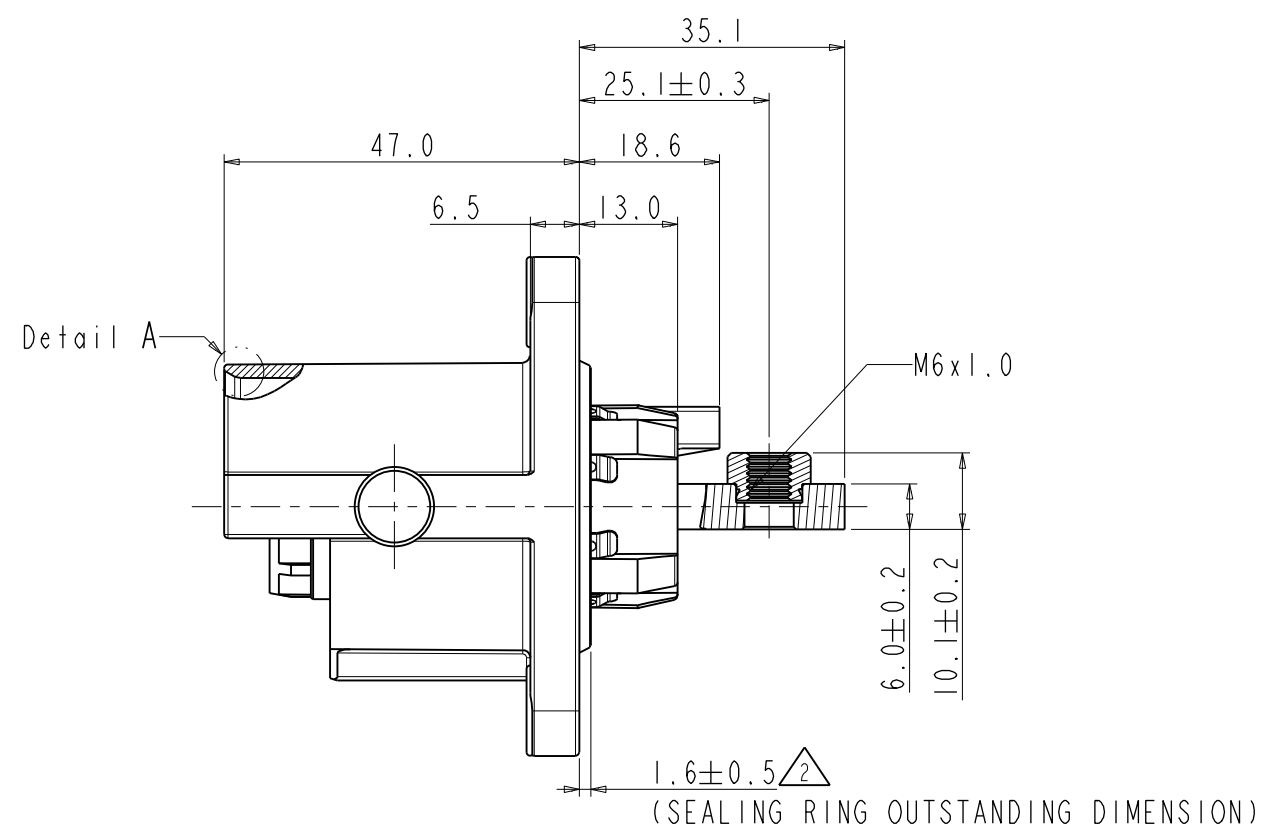
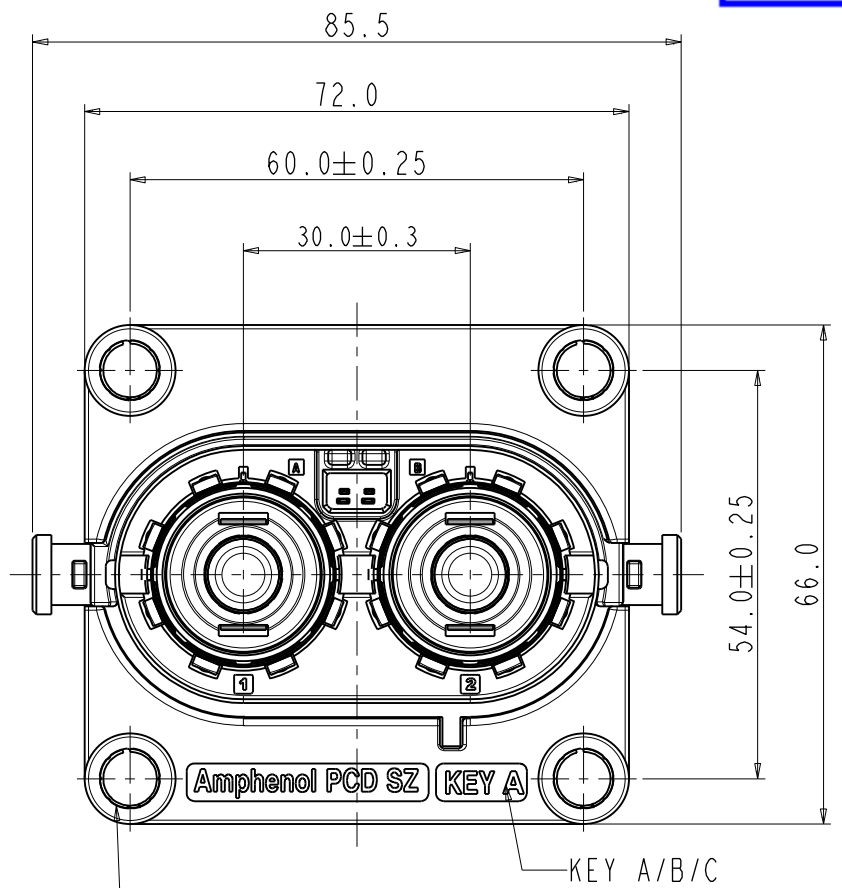
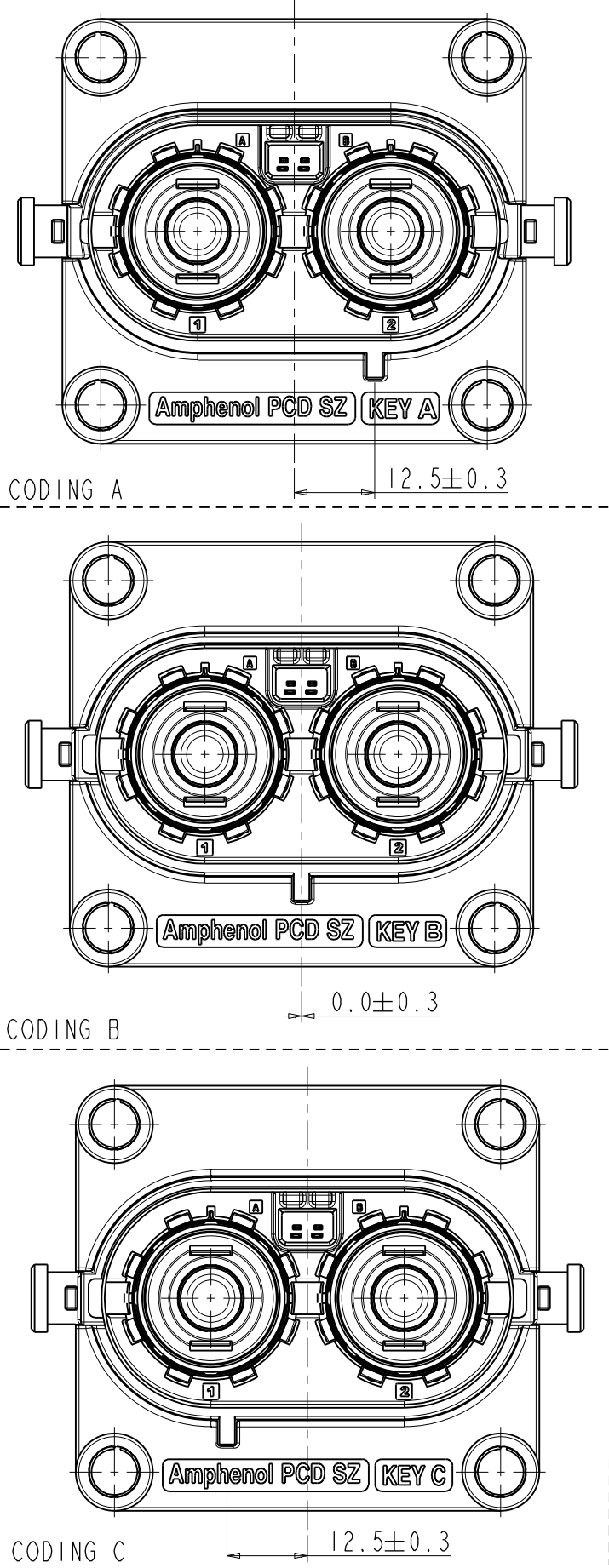


Amphenol PCDSZ  
ORIGINAL  
PDF Format  
R&D

安费诺精密连接器(深圳)有限公司  
Amphenol PCD Shenzhen  
受控文件  
2022年9月8日

REV	ECN	DESCRIPTION	DATE	MODIFIED
1		RELEASE	2020.10.27	
2	C5349N	INCREASE SEAL HEIGHT CONTROL	2021.4.18	
3	R6424W	ADD SCHEMATIC OF THE HEAD	Jul-26-22	



4x $\varnothing$ 6.6 $\pm$ 0.3 THROUGH HOLE FOR M6 FASTER APPLICATION

I. PART NUMBER DESCRIPTION:

HVSLP 1000 02 2 X X H6

- A: CODING A 0: WITHOUT HVIL(DON'T NEED TO BUY)
- B: CODING B 1: WITHOUT HVIL(NEED TO BE PURCHASED SEPARATELY)
- C: CODING C

DIMENSIONS	TOLERANCES	PROJECTION	TITLE		
ANSI Y14.5M UNITS: MM Pro/E FILE	.X $\pm$ 0.5 .XX $\pm$ 0.05 ANGLES $\pm$ 2°		HVSLP1000 RECEPTACLE		
ORIGINAL	THIS DOCUMENT CONTAINS PROPRIETARY INFORMATION WHICH IS THE CONFIDENTIAL PROPERTY OF Amphenol PCD Shenzhen Co. Ltd Amphenol PCD Shenzhen Co. Ltd RESERVES THE RIGHT TO CLARIFY THIS DRAWING				
			APPD	SIZE A3	DWG NO. C-HVSLP1000022XXH6
				CODE: 58982	SCALE: 1:1
				SHEET 1	OF 3
					REV 3

C-HVSLP1000022XXH6

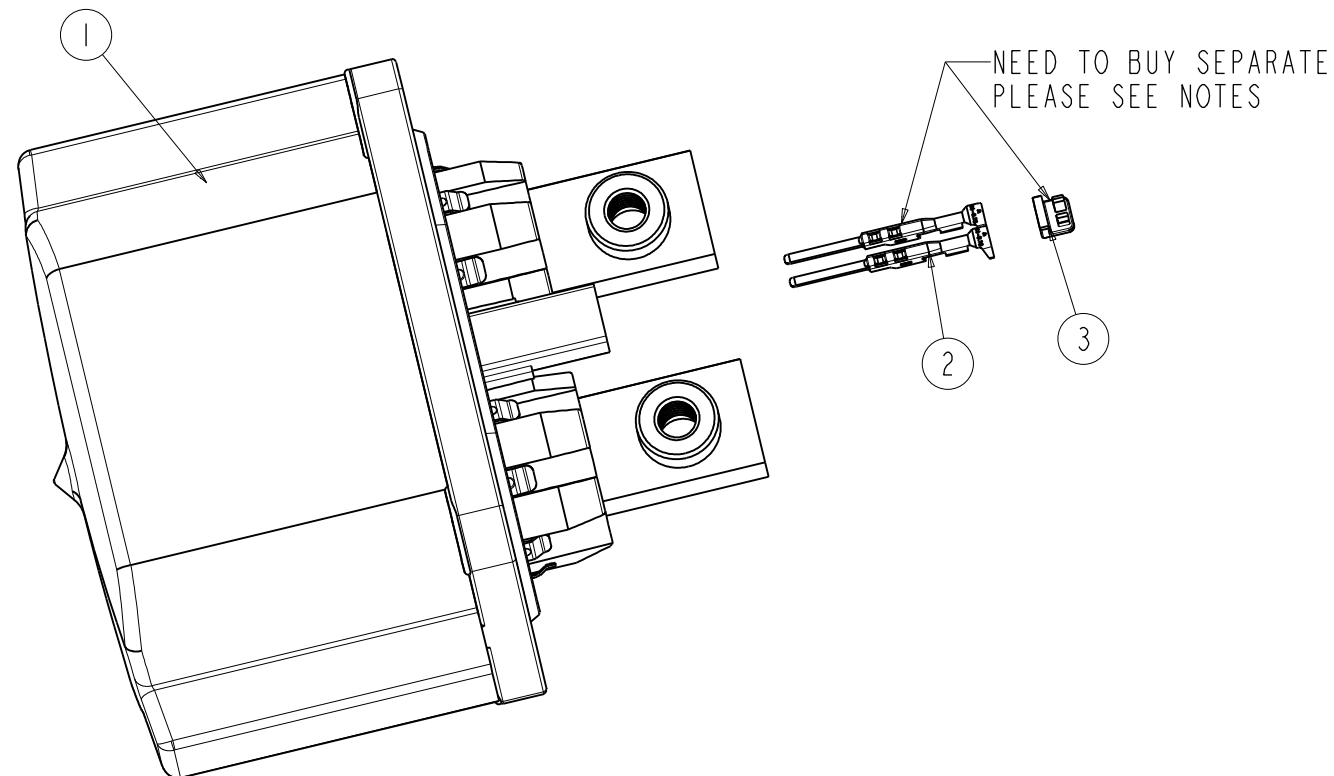
C-HVSLP1000022XXH6



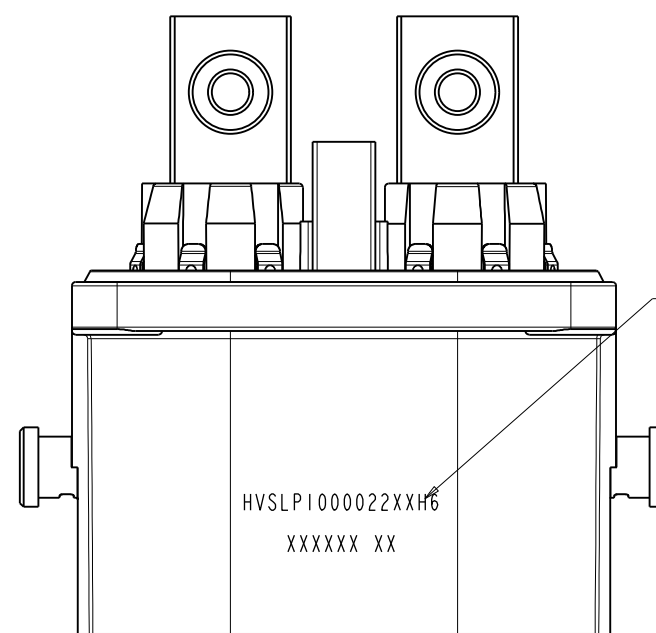
NOTES

1. MATERIAL&FINISH:  
 PLASTIC BODY:PA66+25GF UL 94V-0 ORANGE COLOR.  
 POWER CONTACT:COPPER ALLOY SILVER PLATED  
 SIGNAL PIN:COPPER ALLOY TIN PLATING  
 SEAL:SR UL94 HB
2. THE RECEPTACLE DON'T CONTAIN SIGNAL PIN AND TPA,MUST BE PURCHASED SEPARATELY.  
 SIGNAL PIN P/N: P0IBS00134,USE LEVEL: 2PCS  
 TPA P/N: P0IBP00261,USE LEVEL: 1PCS
3. FLANGE MOUNTING HOLE M6 LOCKING TORQUE IS RECOMMENDED TO BE 5.3N.m  $\triangle$ <sub>2</sub>  
 (REFERENCE STANDARD:QC/T518-1999,WITH STRICT STANDARDS)
4. CURRENT TERMINAL M6 FIXED SCREW LOCKING TORQUE IS RECOMMENDED TO BE 5.3N.m  
 (REFERENCE STANDARD:NF F61-017)
5. BOM LIST:

3	P0IBP00261	TPA	1	SEPARATELY ORDERRING PARTS
2	P0IBS00134	SIGNAL CONTACT	2	SEPARATELY ORDERRING PARTS
1	HVSLP1000022X0H6	RECEPTACLE BODY	1	X=A,B,C
ITEM	PART NO.	DESCRIPTION	Q'TY	REMARK
COMPONENT P/N:HVSLP1000022X1H6				
1	HVSLP1000022X0H6	RECEPTACLE BODY	1	X=A,B,C
ITEM	PART NO.	DESCRIPTION	Q'TY	REMARK
COMPONENT P/N:HVSLP1000022X0H6				



TECHNICAL DATA		REMARK
CURRENT RATE (0.5MM^2 CABLE: 1.4~1.9mm2)	5A	
CURRENT RATE (50MM^2 SHIELD CABLE)	200A @ AMBIENT TEMPERATUR 70°C	✦
CURRENT RATE (70MM^2 SHIELD CABLE)	250A @ AMBIENT TEMPERATUR 70°C	
RATING VOLTAGE (OVERVOLTAGE CATEGORY II POLLUTION DEGREE 2)	1000V DC	✦
OPERATING TEMPERATURE	-40~125°C	
DIELECTRIC WITH STANDING VOLTAGE	POWER CONTACT:3000V AC(RMS)	✦
	HVIL CONTACT:660V AC(RMS)	
INSULATION RESISTANCE	200 MΩ MIN.	✦
DURABILITY	50 CYCLES	◎
SHIELDING	YES	
WATERPROF(MATED CONDITION)	IP 67. IP6K9K	✦
PROTECTION LEVEL	IP2XB	✦
AMBIENT TEMPERATURE	-40~70°C	
RoHS	YES	✦



THE FIRST ROW IS THE PRODUCT PART NUMBER  
 THE SECOND ROW OF WORK ORDER NUMBER+BATCH

✦ CRITICAL CHARACTERISTIC MARKS / 关键特性符号  
 ◎ IMPORTANT CHARACTERISTIC MARKS / 重要特性符号

SIZE	DWG NO.	REV
A3	C-HVSLP1000022XXH6	3
CODE: 58982	SCALE: 1:1	SHEET 3 OF 3

C-HVSLP1000022XXH6

C-HVSLP1000022XXH6