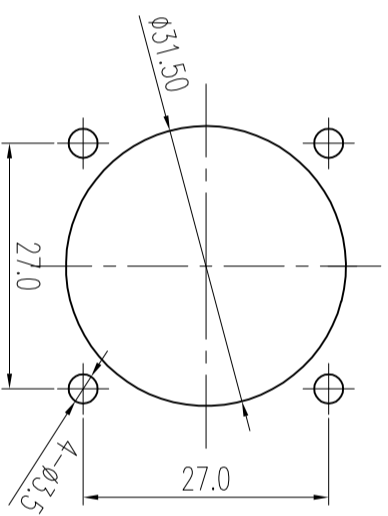
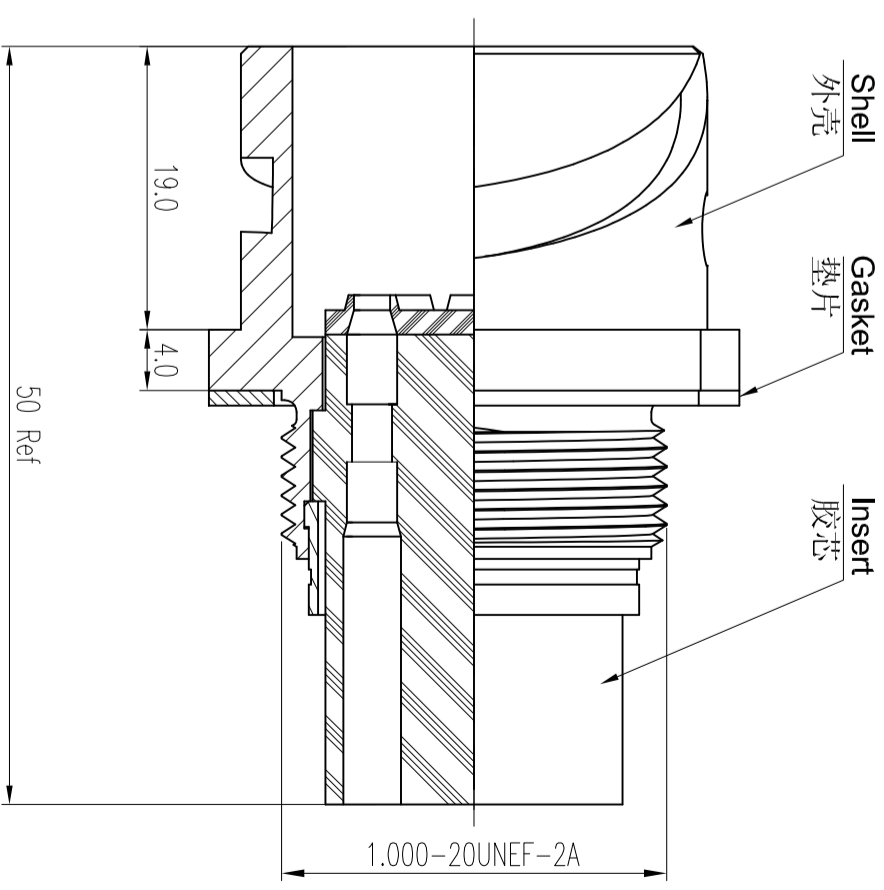
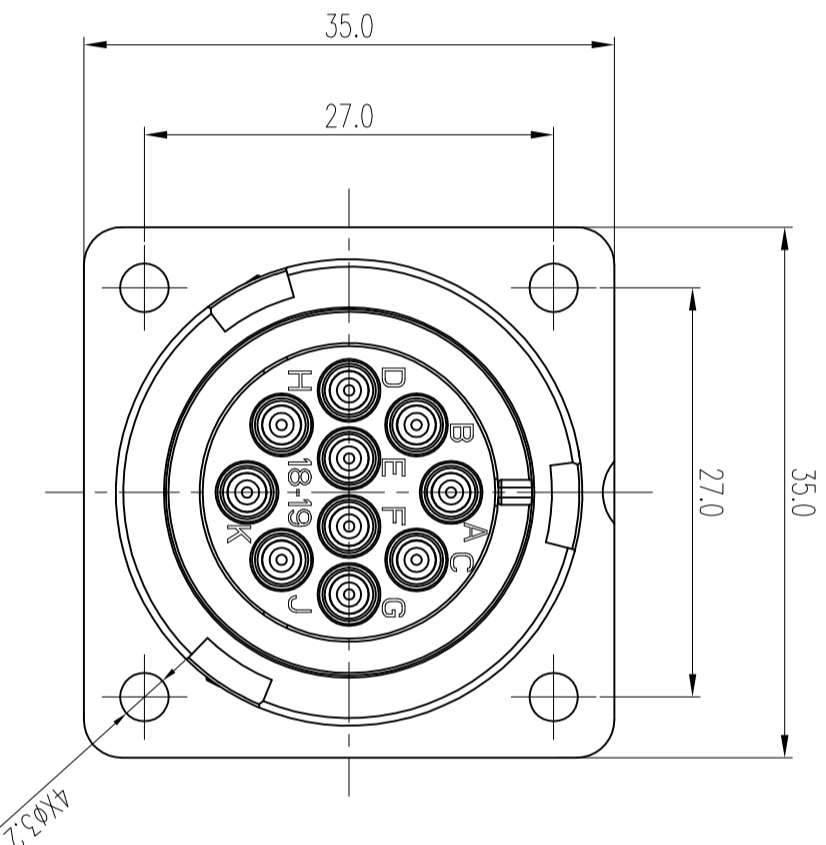


ASVG02A1819PCBZLC

REV	ECN	DESCRIPTION	DATE	MODIFIED
1		PRE-RELEASE	2015.11.10	Wade
2		UPDATE DRAWING	2016.02.19	Wade



Recommend panel cut out
建议面板开孔尺寸

ASVG02A1819PCBZLC

Notes/注意:

Material \ Finish 材料/电镀
Insert : Plastic
胶芯: 塑料
Shell : Aluminum alloy/Black zinc
外壳: 铝合金/黑锌

Mechanical and Environmental data/机械和环境性能
Operating Temperature: -55°C ~ +125°C
工作温度: -55°C ~ +125°C

IP-Class: IP67(In Mating Condition)
防护等级: IP67(在配合条件下)
Durability: 500 cycles
机械寿命: 500次
Salt Spray:96H
盐雾: 96小时

Electrical data/电气性能
Rated Voltage (Vac rms): 500V
工作电压(Vac rms): 500V
Rated Current: 13A Max
工作电流: 13A Max
Insulation Resistance: 2000 MΩ Min
绝缘电阻: 2000兆欧姆 Min
Contact Resistance: Less than 2.5 miliohms
接触电阻: 小于2.5毫欧姆

DIMENSIONS	TOLERANCES	PROJECTION	Amphenol Pcd Shenzhen	TITLE
ANSI Y14.5M UNITS: MM CAD FILE	X .XX ANGLES ± 0.5 ±0.10 ±0.5°		CHKD ENGR	CONNECTOR RECEPTACLE 18-19P BLACK ZINC PLATED
ORIGINAL NOT FOR CUSTOMER DISTRIBUTION	THIS DOCUMENT CONTAINS PROPRIETARY INFORMATION WHICH IS THE CONFIDENTIAL PROPERTY OF AMPHENOL PCD SHENZHEN		APPD	SIZE A3
			SCALE 2:1	DWG NO. ASVG02A1819PCBZLC
			SHEET 1 OF 1	REV 2

ASVG02A1819PCBZLC