

REV	ECN	DESCRIPTION	DATE	MODIFIED
1		PRE-RELEASE	2017.03.14	D.Y
2		UPDATE	2017.03.16	D.Y

***Notes / 技术参数:**

Material 材料 \ Finish 表面处理

Shells&Coupling 外壳 : Aluminum alloy 铝合金 / Black zinc 镀黑锌

Ring 卡环 : Aluminum alloy 铝合金

Insert 插芯 : Thermoplastics UL94-V0 热塑料

Contact 插针 : 6x #16 pin contacts (1.0~1.5mm²)

2x 9.1mm pin contacts (Max 50mm²-线缆最大外径要求小于16.5mm²)

Copper alloy 铜合金

Au plated crimp type 镀银, 压接形式

Mechanical data 机械参数

Operating Temperature 温度范围: -55°C ~ +125°C

Durability 机械寿命: 1000 cycles

Salt Spray 盐雾: 96H

Electrical data 电气参数:

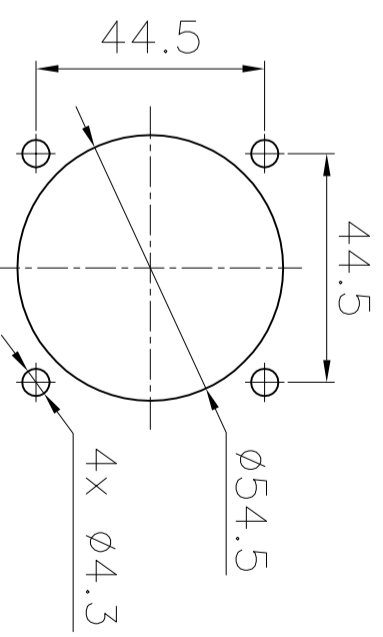
Rated Voltage 额定电压 : 900V(AC) / 1250V(DC)

Rated Current 额定电流 : 13A(#16 contacts) , 150A Max(9.1mm contacts)

Withstanding Voltage 耐压: 3000V/AC

Insulation Resistance: 5000 MΩ Min

Contact Resistance: Less than 2.5miliohms(#16 contacts) Less than 0.3miliohms(9.1mm contacts)



Panel Cut Out
建议安装开孔尺寸

DIMENSIONS	TOLERANCES	PROJECTION	TITLE	
ANSI Y14.5M UNITS: MM CAD FILE	X .XX ANGLES ± 0.5 ±0.3 ±0.5°		Amphenol Pcd Shenzhen	Connector Receptacle 连接器插座32-15
ORIGINAL NOT FOR CUSTOMER DISTRIBUTION	THIS DOCUMENT CONTAINS PROPRIETARY INFORMATION WHICH IS THE CONFIDENTIAL PROPERTY OF AMPHENOL PCD SHENZHEN		CHKD ENGR APPD	SIZE A3
				DWG NO. ASVG-02A-32-15-PC
			SCALE 3:2	REV 2
			SHEET 1 OF 1	