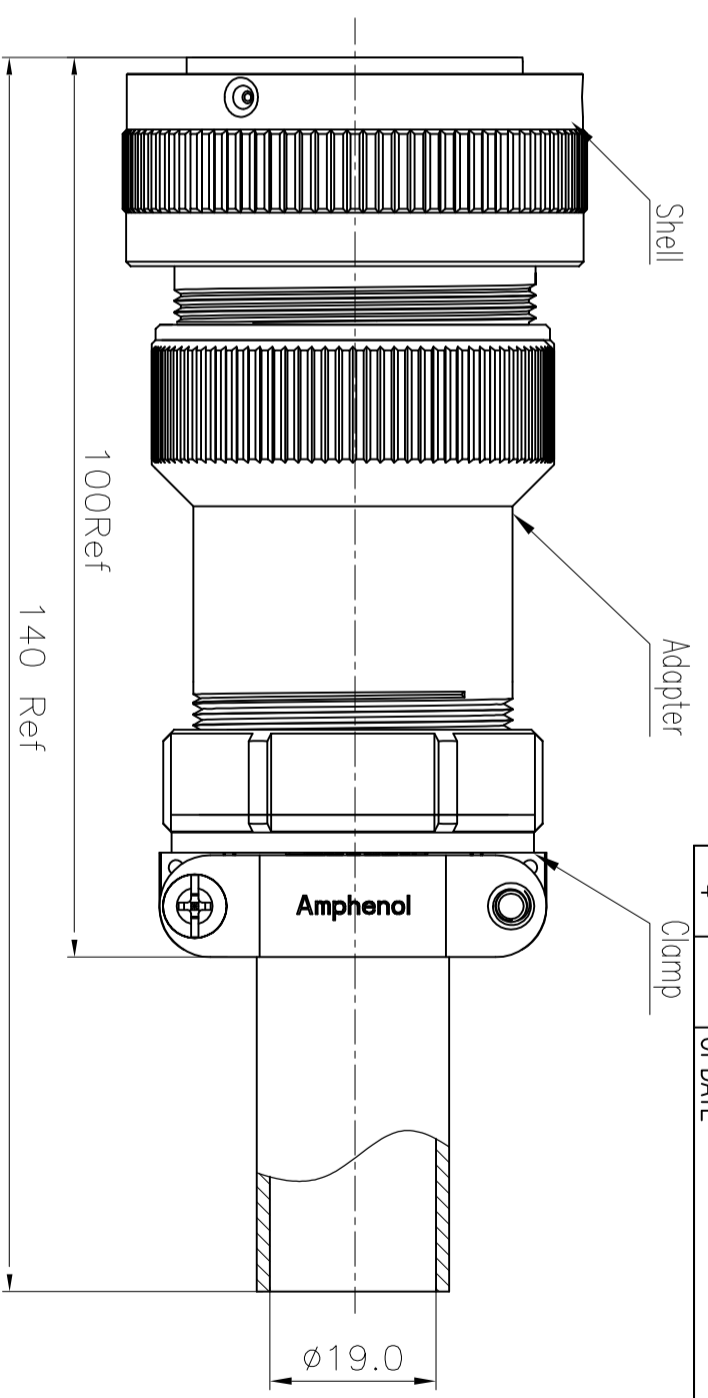
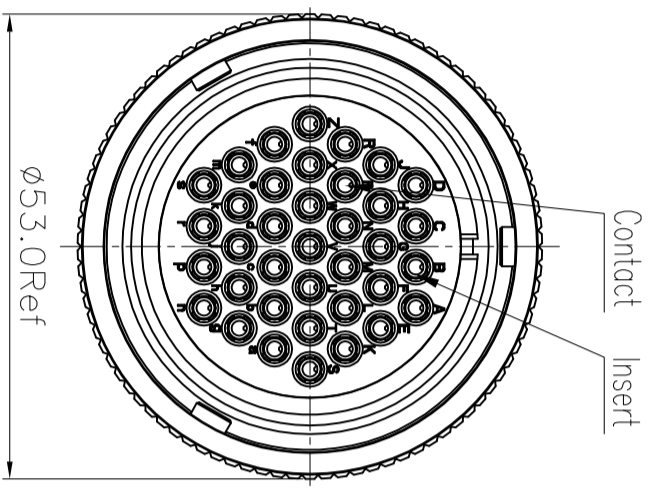


REV	ECN	DESCRIPTION	DATE	MODIFIED
2		UPDATE	2015.09.10	Dei Yao
3		UPDATE	2016.06.01	O.Zou
4		UPDATE	2019.07.04	W.Liu



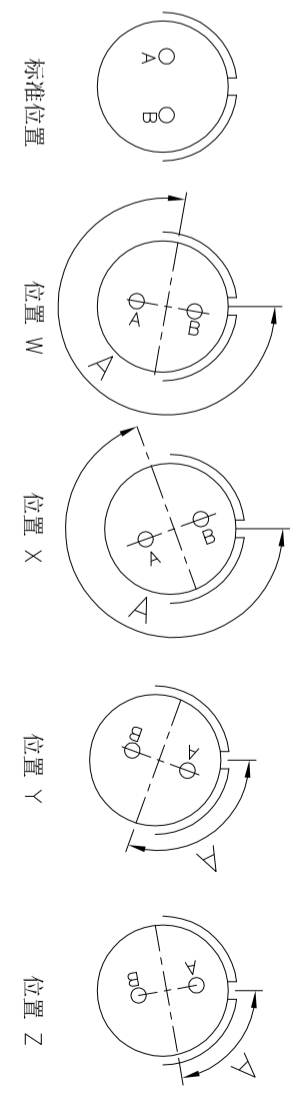
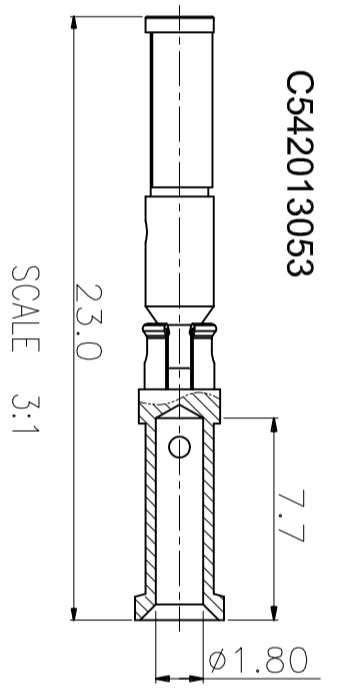
\*Notes / 技术参数:

**Material 材料\ Finish 表面处理**  
**Shells 外壳 : Aluminum alloy 铝合金/ Olive drab zinc plated 镀绿锌**  
**Insert 插芯: Thermoplastics UL94-V0 热塑料**  
**Contact 插针: 37x #16 Socket contacts**  
**Copper alloy 铜合金**  
**Au plated crimp type 镀金, 压接形式**

**Mechanical data 机械参数**  
**Operating Temperature 温度范围: -55°C ~ +125°C**  
**Durability 机械寿命: 500 cycles**

**Electrical data 电气参数:**  
**Rated Voltage 额定电压 : 500V AC**  
**Rated Current 额定电流 : 13A(#16contacts)**  
**Insulation Resistance: 2000 MΩ Min**  
**Contact Resistance: Less than 2.5miliohms**

**Detail for Contact:**  
**Crimping: 0.5mm²~1.5mm²**  
**Material & Surface: Copper alloy, Gold Plated**  
**Contact PN: C542013053**



ASVG-6A-2821-SC-D19-Z	Z	80°
ASVG-6A-2821-SC-D19-Y	Y	110°
ASVG-6A-2821-SC-D19-X	X	250°
ASVG-6A-2821-SC-D19-W	W	280°
P/N	Direction	Revolution Angle

TITLE		<b>PLUG/插头</b>	
Amphenol Pcd Shenzhen		2015.09.02	

DIMENSIONS	TOLERANCES	PROJECTION
ANSI Y14.5M UNITS: MM	X ± 0.5 XX ± 0.10 ANGLES ± 0.5°	

SIZE	DWG NO.	REV
A3	ASVG-6A-2821-SC-D19-XX	4
SCALE	SCALE	SHEET
1:1	1:1	1 OF 1

ORIGINAL FOR CUSTOMER DISTRIBUTION  
 THIS DOCUMENT CONTAINS PROPRIETARY INFORMATION WHICH IS THE CONFIDENTIAL PROPERTY OF AMPHENOL PCD SHENZHEN