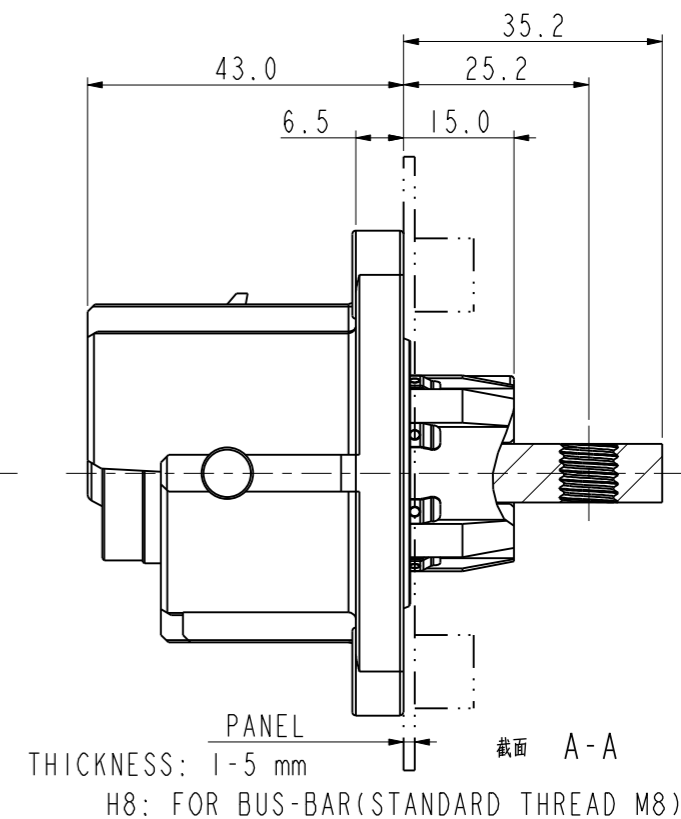
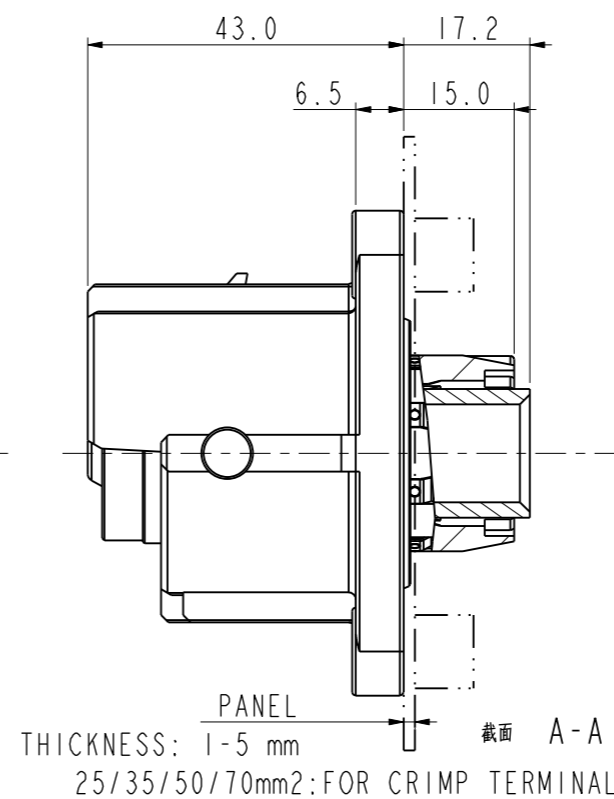
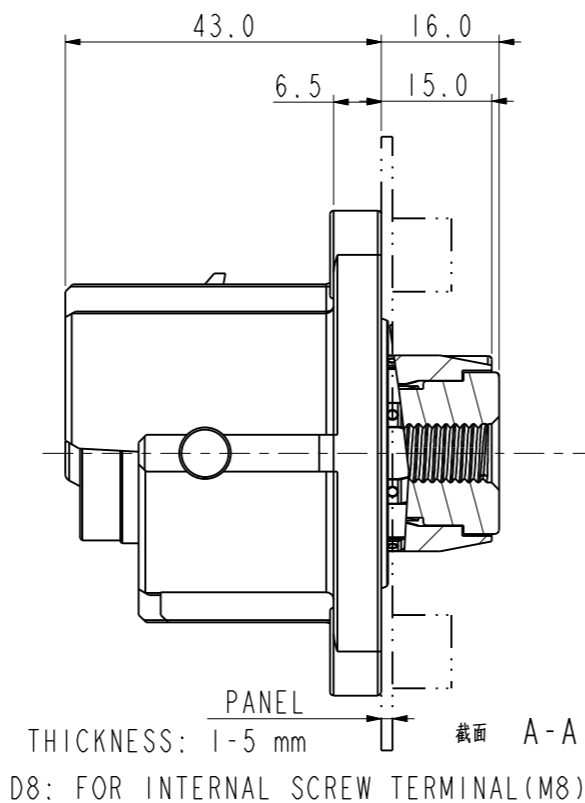
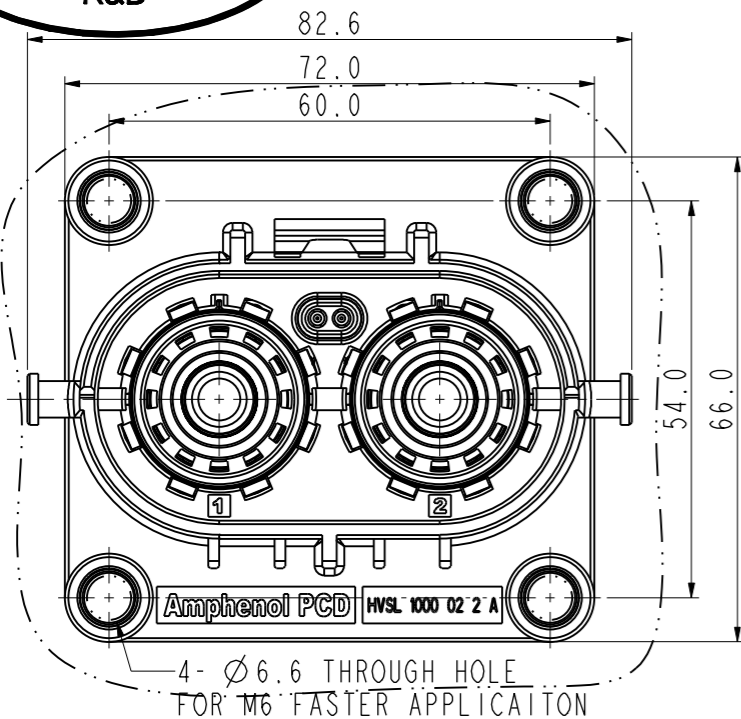


Amphenol PCDSZ
ORIGINAL
PDF Format
R&D



C-HVSL1000022XXXX

1. PN INSTRUCTIONS:

HVSL 1000 02 2 X X XX
A: CODING A 0: WITHOUT IL
B: CODING B 1: WITH IL
C: CODING C

D8: FOR INTERNAL SCREW TERMINAL(M8)
H8: FOR BUS-BAR(STANDARD THREAD M8)
70: FOR CRIMP 70mm² WIRE OD=19.0±0.5mm
50: FOR CRIMP 50mm² WIRE OD=16.5±0.3mm
35: FOR CRIMP 35mm² WIRE OD=14.2±0.4mm
25: FOR CRIMP 25mm² WIRE OD=11.9±0.3mm

2. NOTES:

- (1). FLANGE MOUNTING HOLE M6 LOCKING TORQUE IS 4 N.m
- (2). CURRENT TERMINAL(BUS-BAR(STANDARD THREAD M8))SET SCREW LOCKING TORQUE IS 8N.m
- (3). CURRENT TERMINAL(INTERNAL SCREW TERMINAL(M8))SET SCREW LOCKING TORQUE IS 8N.m
- (4)MATERIAL & FINISH:

PLASTIC BODY: THERMOPLASTICS UL 94V-0 ORANGE
POWER CONTACT: COPPER ALLOY SILVER PLATED
HVIL CONTACTS: COPPER ALLOY GOLD PLATED
SHIELDING: COPPER ALLOY TIN PLATED
RING: STAINLESS STEEL
O-RING: SILICONE RUBBER

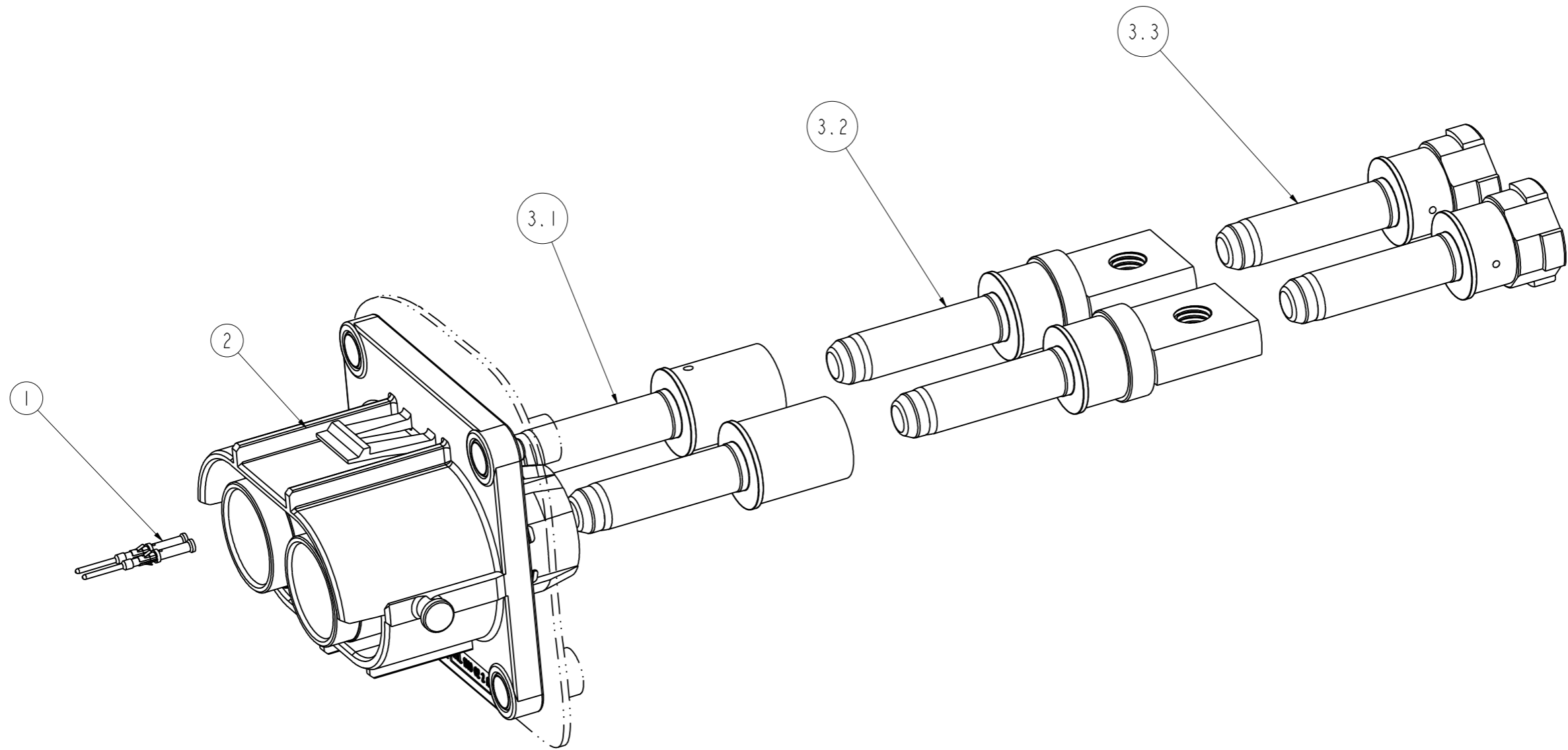
3. DATE SHEET

TECHNICAL DATA		REMARK
CURRENT RATE 25~70MM ² SHIELD CABLE	120A @AMBIENT 70°C 150A @AMBIENT 70°C 180A @AMBIENT 70°C 250A @AMBIENT 70°C	+
UL RATING VOLTAGE	1000V DC	+
OPERATING TEMPERATURE	-40~125°C	
DIELECTRIC WITHSTANDING VOLTAGE	3000V AC	+
INSULATION RESISTANCE	100 MΩ Min	+
DURABILITY	50 CYCLES	◎
SHIELDING	YES	
WATERPROOF	IP67&IP6K9K	+
PROTECTION LEVEL	IP2XB	+
AMBIENT TEMPERATURE	40~70°C	

✦ CRITICAL CHARACTERISTIC MARKS / 关键特性符号
◎ IMPORTANT CHARACTERISTIC MARKS / 重要特性符号

DIMENSIONS ANSI Y14.5M UNITS: MM Pro/E FILE	TOLERANCES .X ±0.5 .XX ±0.05 ANGLES ±2.0°	PROJECTION 	TITLE HVSL1000 SERIES 2POS RECEPTACLE PANEL MOUNTING			
			ENGR CHKD APPD	SIZE A3	DWG NO. C-HVSL1000022XXXX	REV 5
ORIGINAL NOT FOR CUSTOMER DISTRIBUTION		THIS DOCUMENT CONTAINS PROPRIETARY INFORMATION WHICH IS THE CONFIDENTIAL PROPERTY OF AMPHENOL PCD SHENZHEN		CODE: 58982	SCALE: 1:1	SHEET 1 OF 5

C-HVSL1000022XXXX



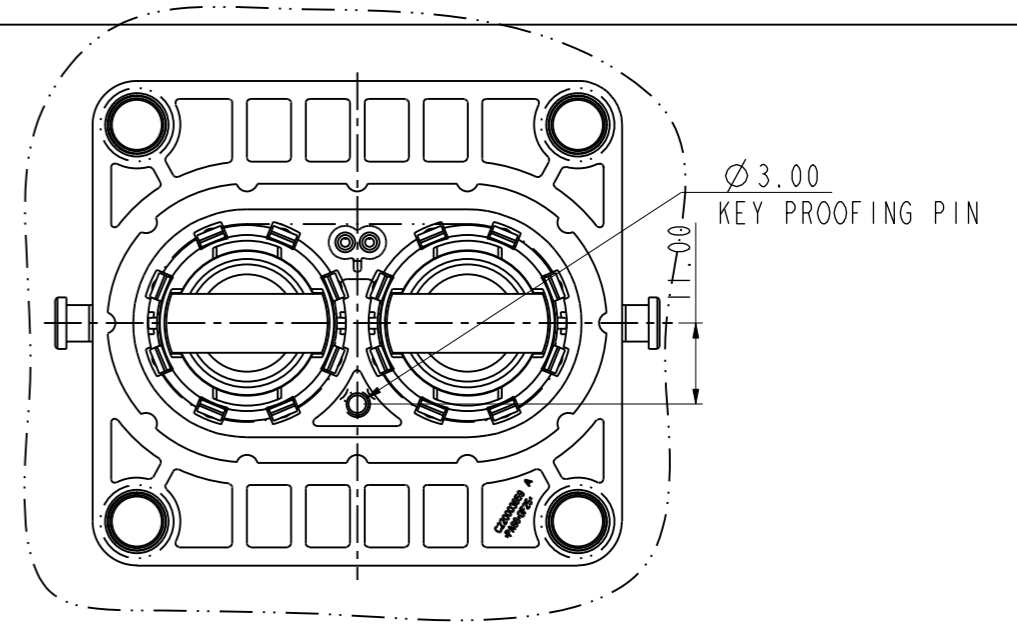
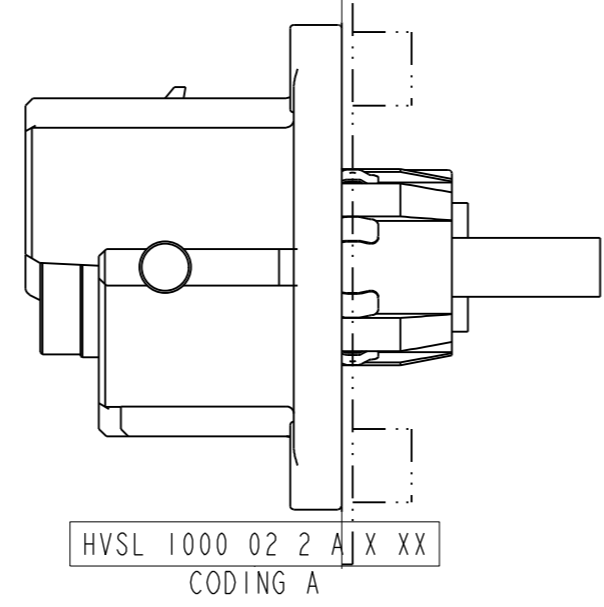
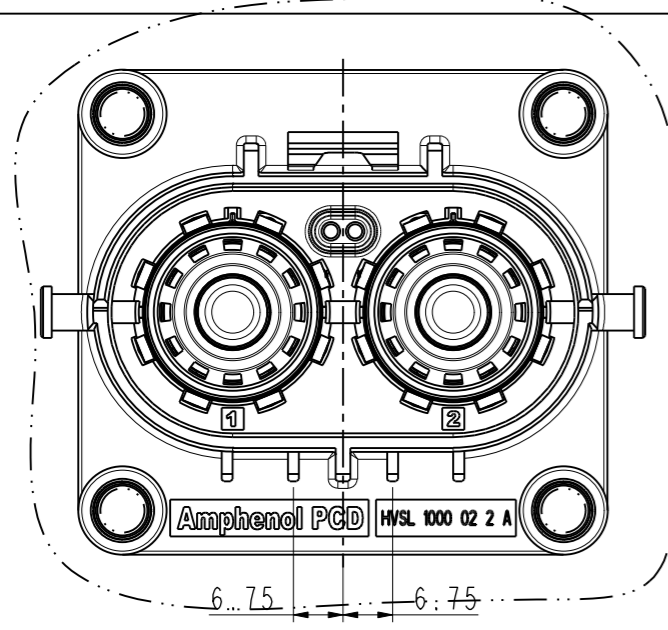
C-HVSL1000022XXXX

C-HVSL1000022XXXX

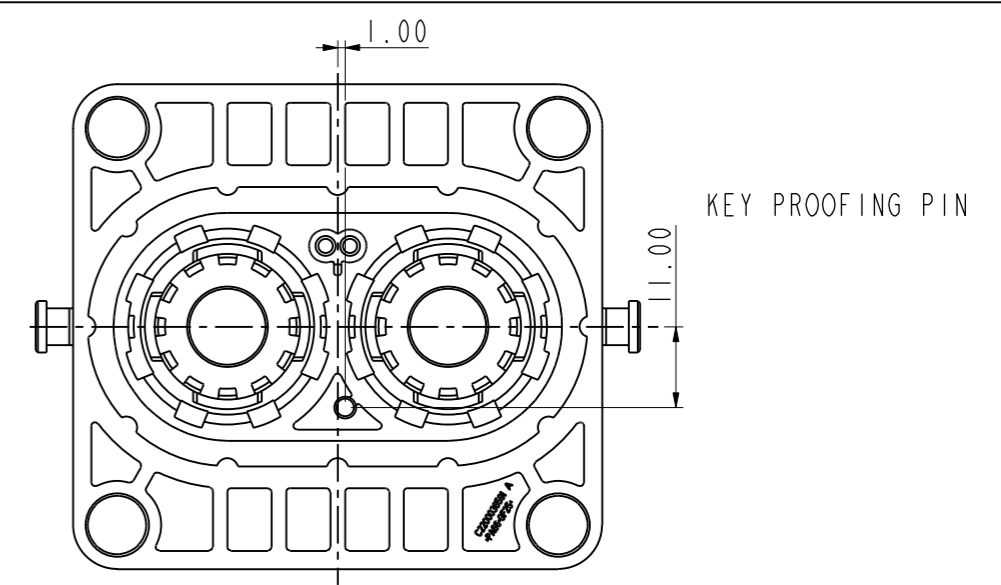
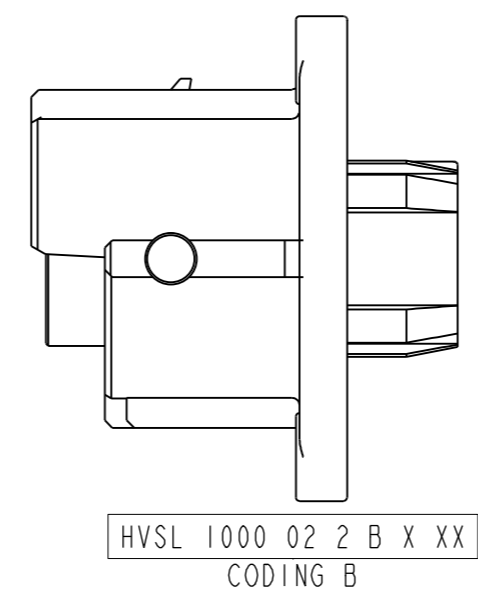
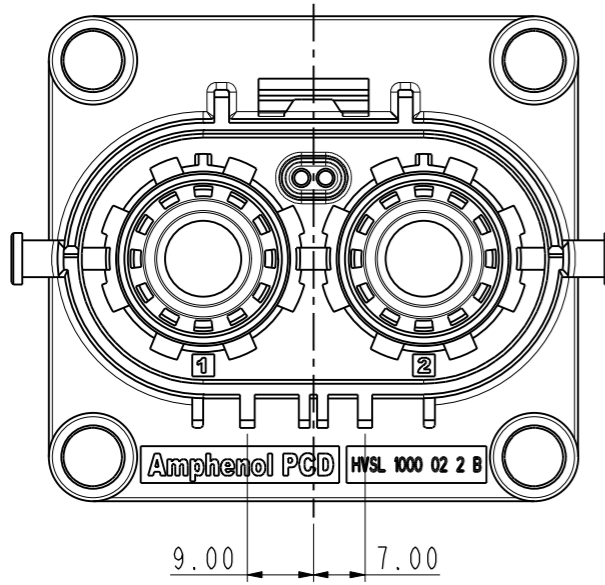
3.3	P03BM00023	INTERNAL SCREW TERMINAL	2	OPTIONAL
or				
3.2	C4200036152	BUS-BAR	2	OPTIONAL
or				
3.1	C4200036151X	CRIMP TERMINAL	2	OPTIONAL
2	HVSL1000022X	RECEPTACLE BODY(A,B,C)	1	NA
1	C420003609	HVIL PIN	2	NA
ITEM	PART NO.	DESCRIPTION	Q'TY	REMARK

SIZE	DWG NO.	REV
A3	C-HVSL1000022XXXX	5
CODE: 58982	SCALE: 1:1	SHEET 2 OF 5

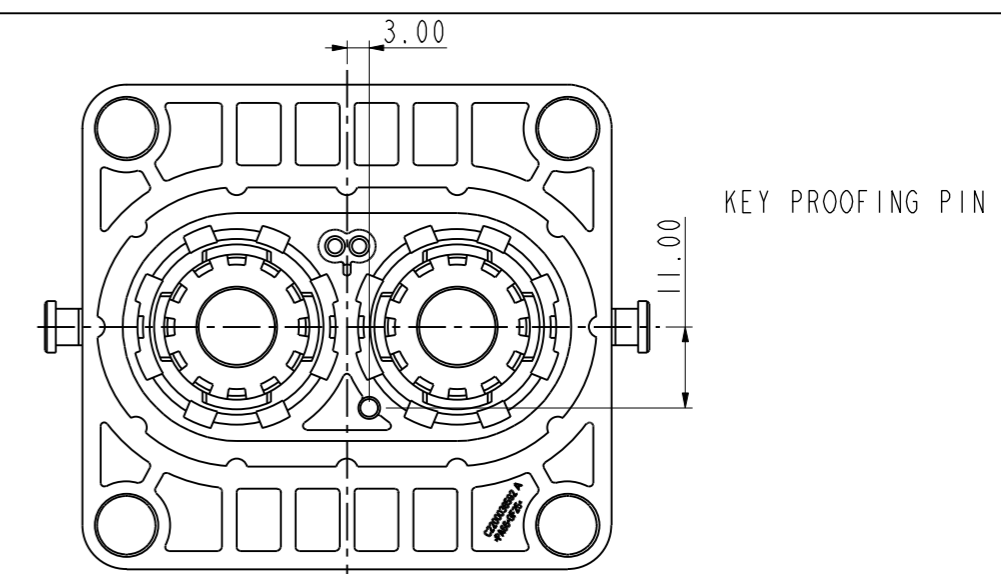
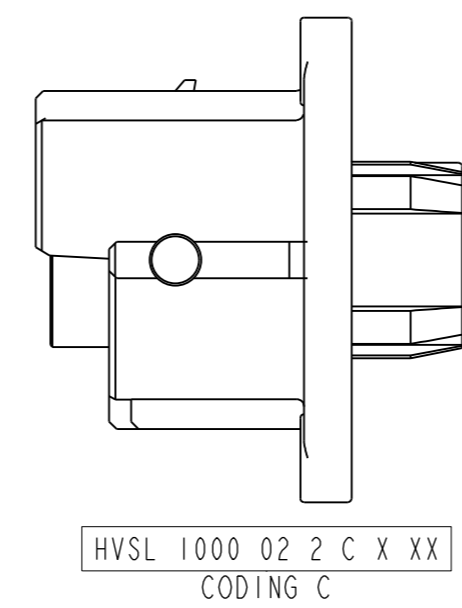
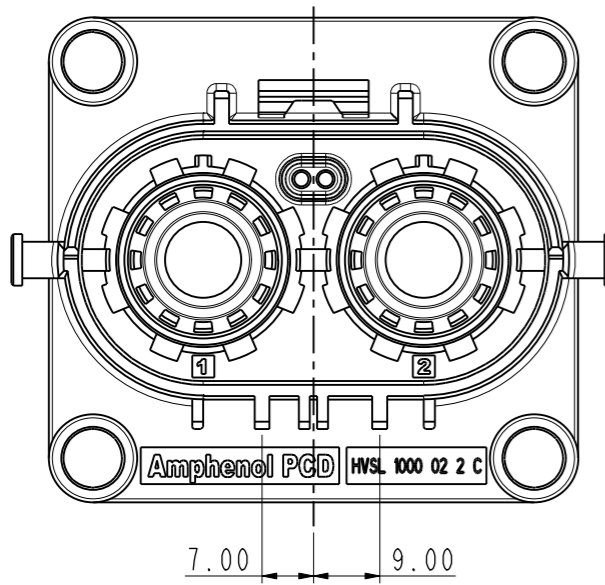
C-HVSL1000022XXXX



C-HVSL1000022XXXX

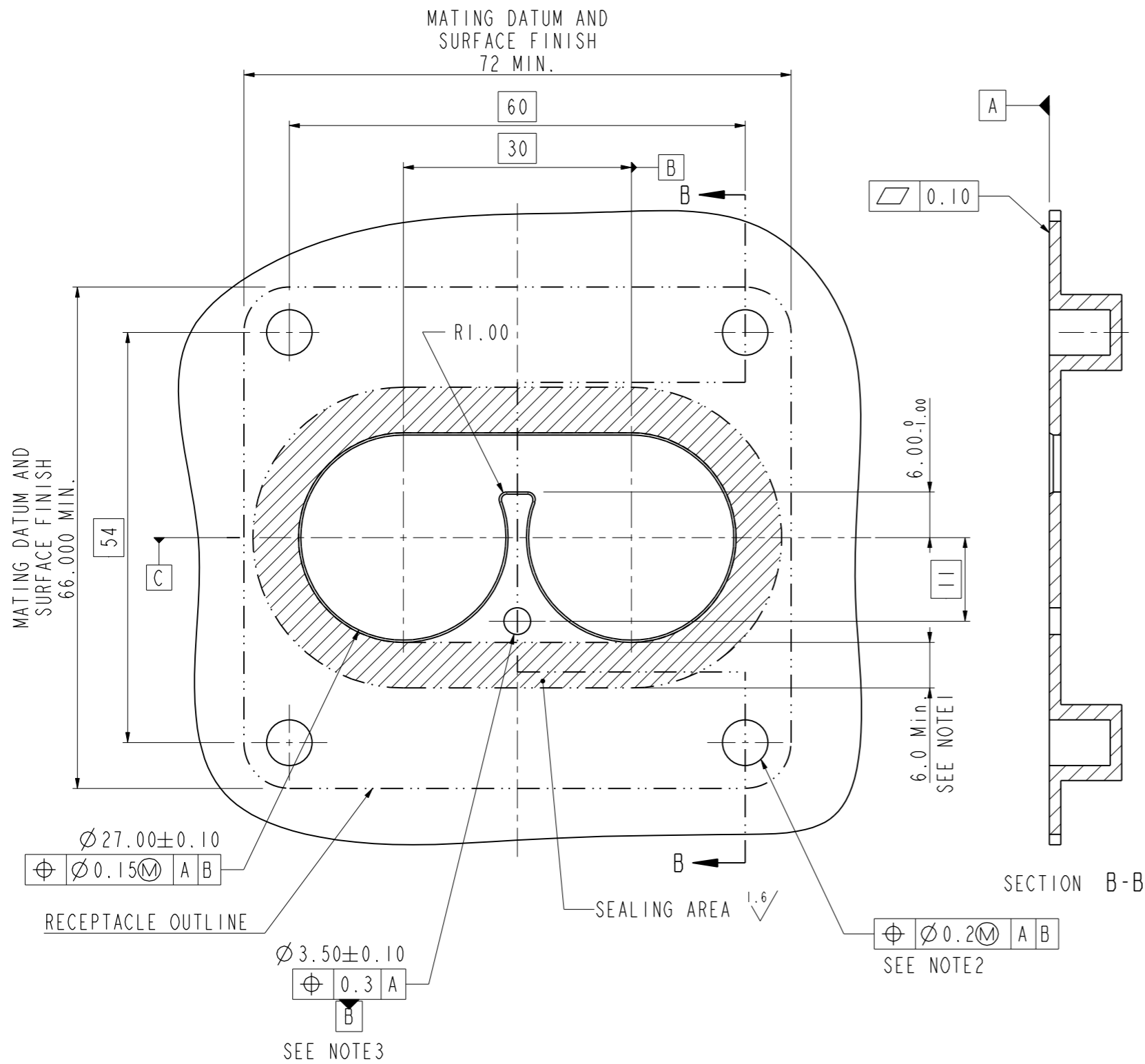


C-HVSL1000022XXXX

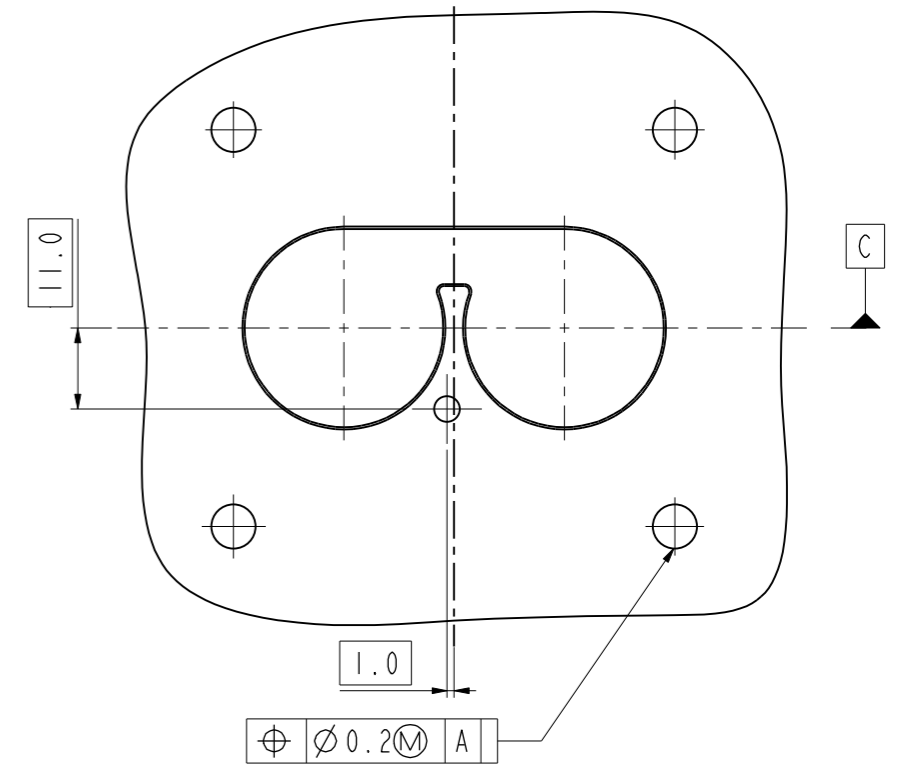


SIZE	DWG NO.	REV
A3	C-HVSL1000022XXXX	5
CODE: 58982	SCALE: 1:1	SHEET 3 OF 5

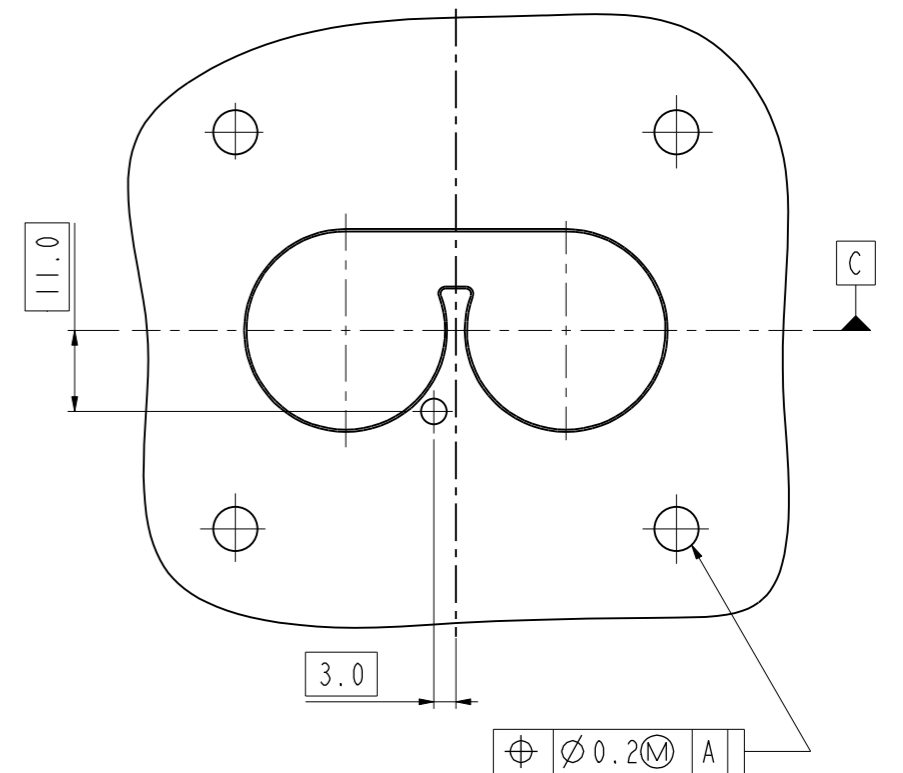
MOUNTING INTERFACE VIEW



- NOTES:
1. 6MM SEALING SURFACE ALL AREOUND MUST MEET SURFACE FINISH REQUIREMENT
 2. 4X M6 TAPPED HOLE PER FASTENER SPECIFICATION WITH NO BREAK OUT; ASSURE MAXIMUM THREAD ENGAGEMENT.
 3. CODING A MOUNTING INTERFACE SHOWN



CODING B INTERFACE VIEW
ALL OTHER DIMENSIONS SAME AS CODING A



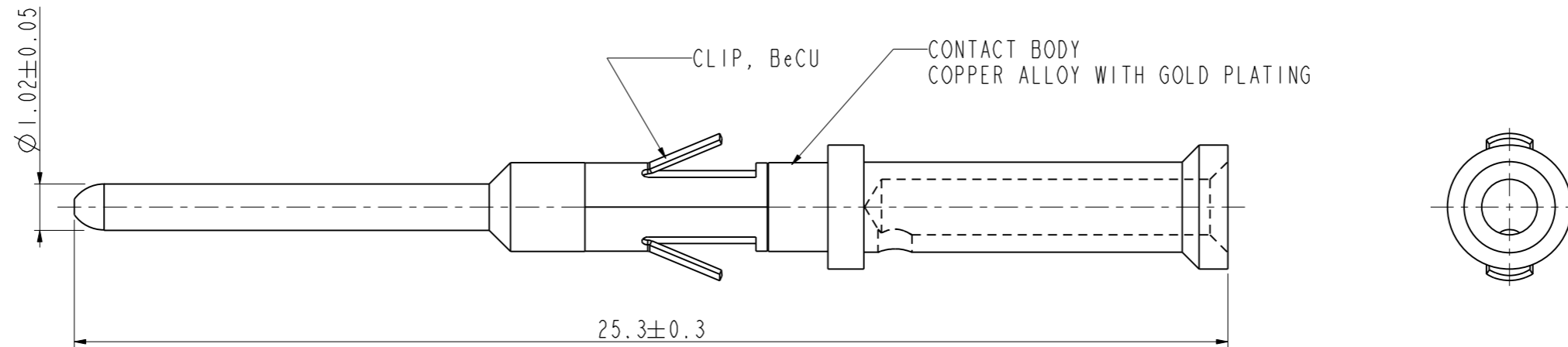
CODING C INTERFACE VIEW
ALL OTHERS DIMENSIONS SAME AS CODING A

SIZE A3	DWG NO. C-HVSL1000022XXXX	REV 5
CODE: 58982	SCALE: 1:1	SHEET 4 OF 5

C-HVSL1000022XXXX

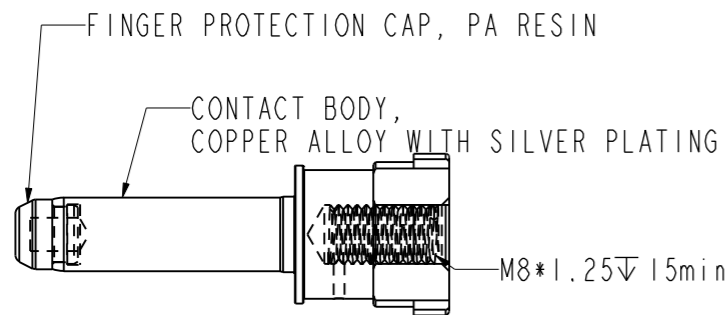
C-HVSL1000022XXXX

ACCESSORIES VIEW

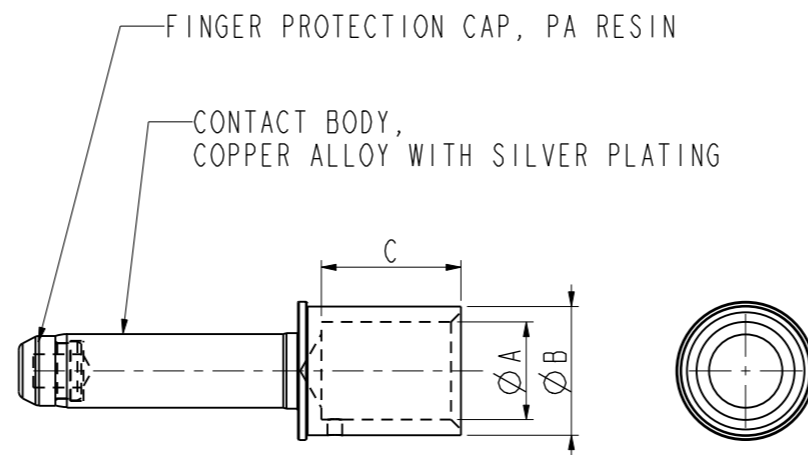


HVIL SIGNAL PIN
WIRE RANGE: 0.5MM2 MAX
LOOSE PACKING
SCALE: 8:1

C-HVSL1000022XXXX



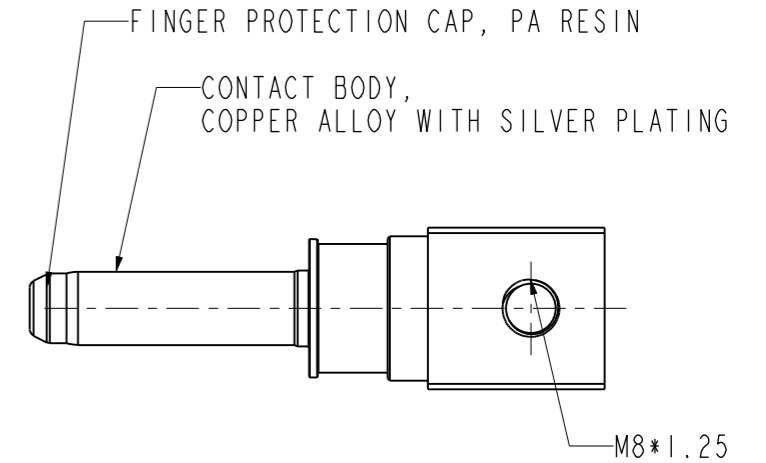
POWER CONTACT
INTERNAL SCREW TERMINAL STYLE
INSTALLED INTO HOUSING FOR HVSL1000022XXD8



P/N.	DIM A±0.3	DIM B±0.3	DIM C+0.7/0	WIRE CAPACITY
C42000361511	∅ 13.3	∅ 17.5	19.0	70 MM2
C42000361512	∅ 10.3	∅ 14.3	19.0	50 MM2
C42000361513	∅ 8.5	∅ 12.0	17.0	35 MM2
C42000361514	∅ 7.2	∅ 9.5	17.0	25 MM2

POWER CONTACT
CRIMP TERMINATION STYLE
INSTALLED INTO HOUSING FOR HVSL1000022XX25/35/50/70

C-HVSL1000022XXXX



POWER CONTACT
THREAD FOR BUS-BAR STYLE
INSTALLED INTO HOUSING FOR HVSL1000022XXH8

SIZE A3	DWG NO. C-HVSL1000022XXXX	REV 5
CODE: 58982	SCALE: 2 1:1	SHEET 5 OF 5