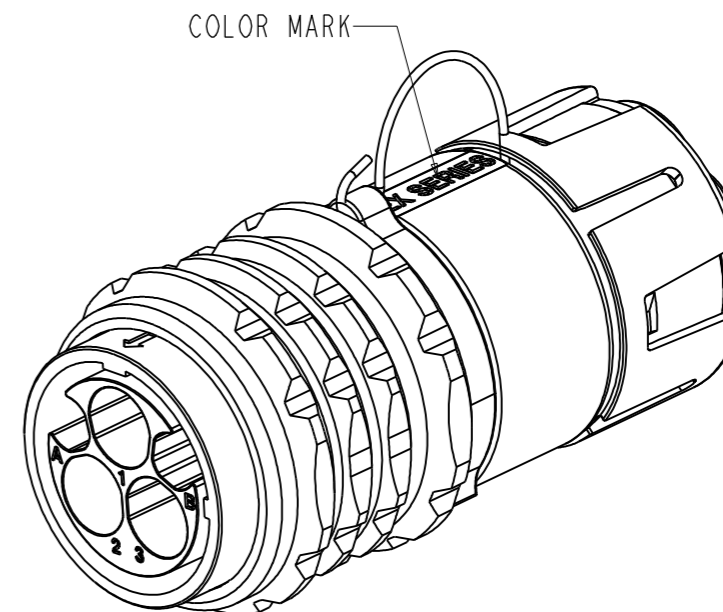
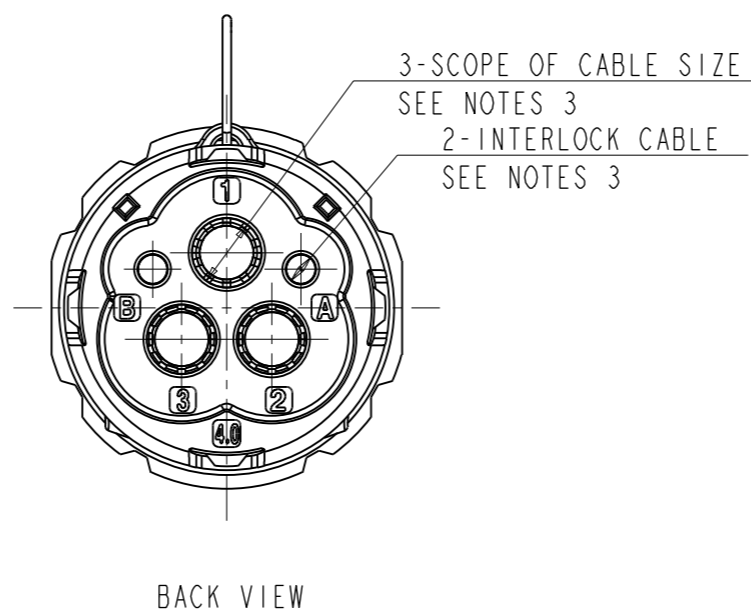
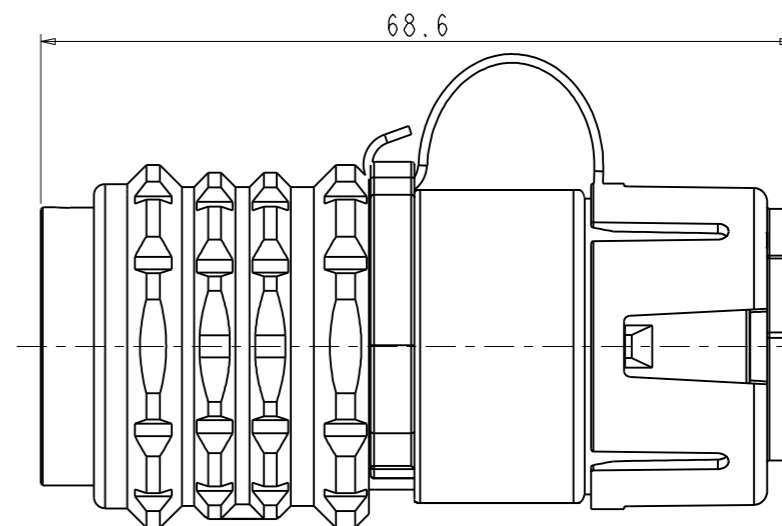
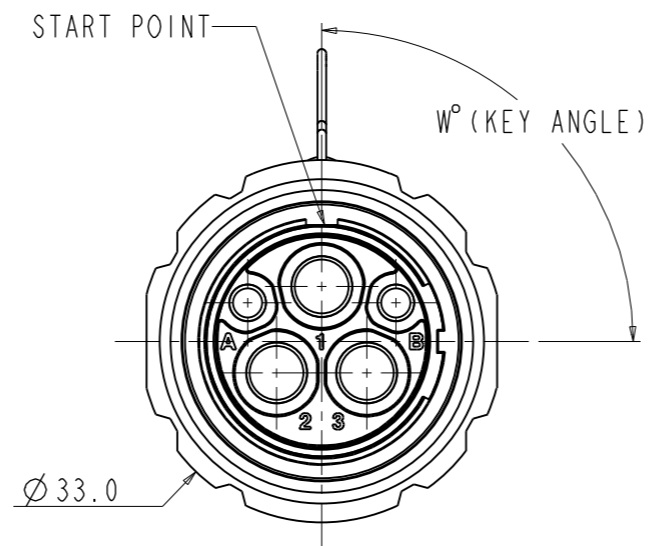


Amphenol PCD SZ  
ORIGINAL  
PDF Format  
R&D

NOTES:

- PRODUCT DO NOT INCLUDE CONTACT, NEED TO BUY SEPARATELY.  
POWER PIN: EX30M4 FOR 2.5mm<sup>2</sup>~284mm<sup>2</sup> CABLE  
EX30M6 FOR 6mm<sup>2</sup> CABLE  
SIGNAL PIN: EX16MI FOR 0.5~0.75mm<sup>2</sup> CABLE  $\triangle$
- 1~3 HOLES FOR  $\varnothing$ 3.0 POWER PIN  
A, B HOLES FOR  $\varnothing$ 1.6 HVIL PIN
- SCOPE OF CABLE OUTSIDE DIAMETER OPTION:  
2.5mm<sup>2</sup> OD=4.7~5.3mm;  
4.0mm<sup>2</sup> OD=5.1~5.7mm;  
6.0mm<sup>2</sup> OD=6.1~6.7mm;  
INTERLOCK CABLE:  
0.5~0.75mm<sup>2</sup> CABLE OD=2.1~2.7mm  $\triangle$
- TECHNICAL DATA TABLE



| TECHNICAL DATA  |                                |   |
|---|--------------------------------|---|
| CURRENT RATING<br>(6 mm <sup>2</sup> SHIELDING CABLE)             | 40A @ AMBIENT 70°C             | + |
| CURRENT RATING<br>(4 mm <sup>2</sup> SHIELDING CABLE)             | 32A @ AMBIENT 70°C             | + |
| CURRENT RATING<br>(2.5mm <sup>2</sup> SHIELDING CABLE)            | 23A @ AMBIENT 70°C             | + |
| CURRENT RATING<br>(0.5~0.75mm <sup>2</sup> CABLE) $\triangle$     | 5A @ AMBIENT 70°C              | + |
| RATING VOLTAGE<br>(OVERVOLTAGE CATEGORY II<br>POLLUTION DEGREE 2) | 1000V DC                       | + |
| OPERATING TEMPERATURE   | -40~125°C                      |   |
| DIELECTRIC WITHSTANDING<br>VOLTAGE                                | POWER CONTACT<br>3000V AC(RMS) | + |
|   | HVIL CONTACT<br>660V AC(RMS)   | + |
| INSULATION RESISTANCE   | 200M $\Omega$ MIN.@25°C        | + |
| DURABILITY  | 50 CYCLES                      | ◎ |
| SHIELDING   | YES                            |   |
| WATERPROOF<br>(MATED CONDITION)                                   | IP 68 & IPX9K                  | + |
| PROTECTION LEVEL  | IP2XB                          | + |
| AMBIENT TEMPERATURE   | -40~70°C                       |   |
| R <sub>o</sub> HS   | YES                            | + |

"+" CRITICAL CHARACTERISTIC  
"◎" IMPORTANT CHARACTERISTIC

| DIMENSIONS                             | TOLERANCES   | PROJECTION | TITLE                 |               |              |
|--|--|------------|-----------------------|---------------|--------------|
| ANSI Y14.5M<br>UNITS: MM<br>Pro/E FILE | .X ±0.5<br>.XX ±0.05<br>ANGLES ±2°   |            | Amphenol PCD Shenzhen |               |              |
| ORIGINAL                               | THIS DOCUMENT CONTAINS<br>PROPRIETARY INFORMATION WHICH<br>IS THE CONFIDENTIAL PROPERTY<br>OF Amphenol PCD Shenzhen Co. Ltd<br>Amphenol PCD Shenzhen Co. Ltd RESERVES<br>THE RIGHT TO CLARIFY THIS DRAWING | CHKD       | SIZE                  | DWG NO.       | REV          |
|  |  | APPD       | A3                    | C-EX40306XXXI | D            |
|  |  |            | CODE: 58982           | SCALE: 3:2    | SHEET 1 OF 2 |

C-EX40306XXXI

C-EX40306XXXI

5. HOW TO ORDER EX403 PLUG: EX403 06 X X X I

CABLE SHIELDED WIRE:  
I: INDIVIDUAL LAYER MASK

KEY OF CODING OPTION:

| KEY CODE | COLOR & KEY ANGLE(W) | TABLE 1 2# PART |
|----------|----------------------|-----------------|
| A        | RED & 45°            | EX40306AI       |
| B        | BLACK & 90°          | EX40306BI       |
| C        | YELLOW & 180°        | EX40306CI       |
| D        | GREEN & 270°         | EX40306DI       |
| E        | BLUE & 315°          | EX40306EI       |



CABLE SIZE OPTION:

| CODE | DESCRIPTION              | TABLE 2 3# PART | TABLE 3 4# PART | TABLE 4 5# PART | TABLE 5 6# PART | TABLE 6 5# PART |
|------|--------------------------|-----------------|-----------------|-----------------|-----------------|-----------------|
| 2    | 2.5mm <sup>2</sup> CABLE | C4310036501     | C4200036651     | C4270036623     | C4220035651     | C4270036624     |
| 4    | 4.0mm <sup>2</sup> CABLE | C4310036502     | C4200036652     | C4270036627     | C4220035652     | C4270036628     |
| 6    | 6.0mm <sup>2</sup> CABLE | C4310036502     | P03BM00100      | C4270036627     | C4220035653     | P01BR00283      |

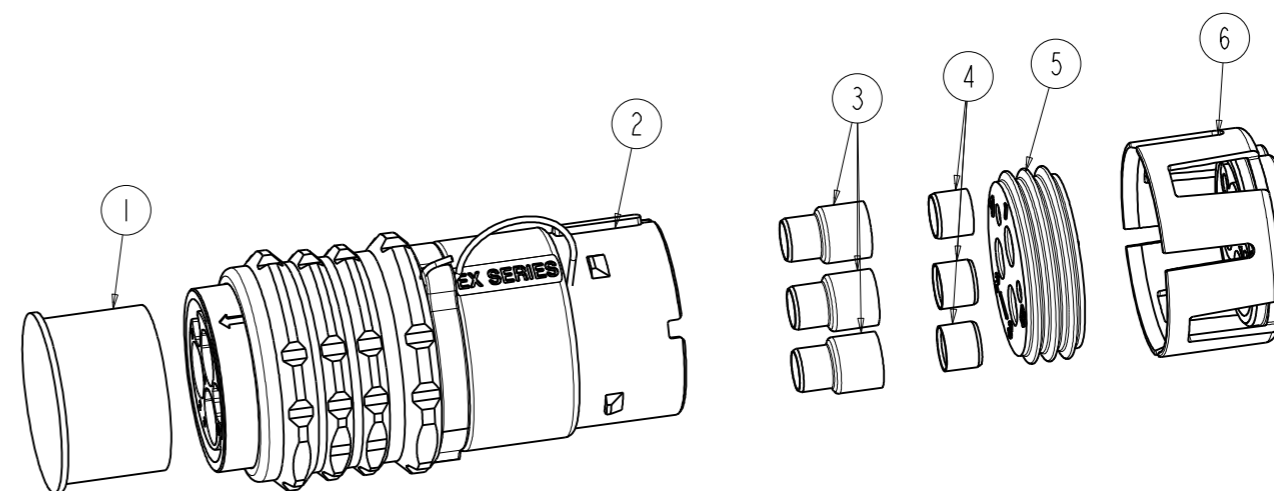
INTERLOCK OPTION:

| CODE | DESCRIPTION   |
|------|---|
| 0    | WITHOUT HVIL<br>(NOT INCLUDE HVIL CONTACT)                            |
| 1    | WITH SHORTED HVIL<br>(INSTALLED ALREADY)                              |
| 2    | WITH HVIL, THE PIN EXTERNAL.<br>(HVIL CONTACT NEED TO BUY SEPARATELY) |

6. ASSEMBLY AND DETAIL EX SERIES BOM LIST SHOW  
DETAIL EX SERIES BOM LIST

|  |      |             |      |               |
|--|------|-------------|------|---------------|
| EX40306 X 0 X I<br>OR<br>EX40306 X 1 X I | 6    | SEE TABLE 5 | 1    | REAR COVER    |
|  | 5    | SEE TABLE 4 | 1    | SEAL          |
|  | 4    | SEE TABLE 3 | 3    | INNER FERRULE |
|  | 3    | SEE TABLE 2 | 3    | OUTER FERRULE |
|  | 2    | SEE TABLE 1 | 1    | MAIN BODY     |
|  | 1    | C422005984  | 1    | DUST COVER    |
| ASSEMBLY NUMBER                          | ITEM | P/N         | Q'TY | DESCRIPTION   |

|                 |      |             |      |               |
|-----------------|------|-------------|------|---------------|
| EX40306 X 2 X I | 6    | SEE TABLE 5 | 1    | REAR COVER    |
|                 | 5    | SEE TABLE 6 | 1    | SEAL          |
|                 | 4    | SEE TABLE 3 | 3    | INNER FERRULE |
|                 | 3    | SEE TABLE 2 | 3    | OUTER FERRULE |
|                 | 2    | SEE TABLE 1 | 1    | MAIN BODY     |
|                 | 1    | C422005984  | 1    | DUST COVER    |
| ASSEMBLY NUMBER | ITEM | P/N         | Q'TY | DESCRIPTION   |



C-EX40306XXXI

C-EX40306XXXI

| SIZE        | DWG NO.       | REV          |
|-------------|---------------|--------------|
| A3          | C-EX40306XXXI | D            |
| CODE: 58982 | SCALE: 1:1    | SHEET 2 OF 2 |