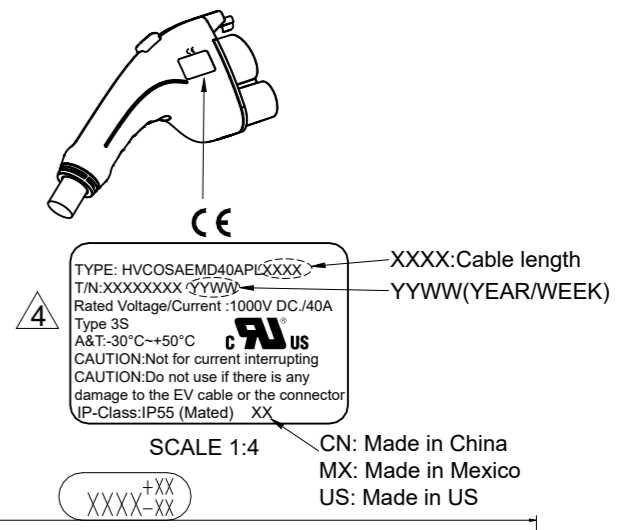
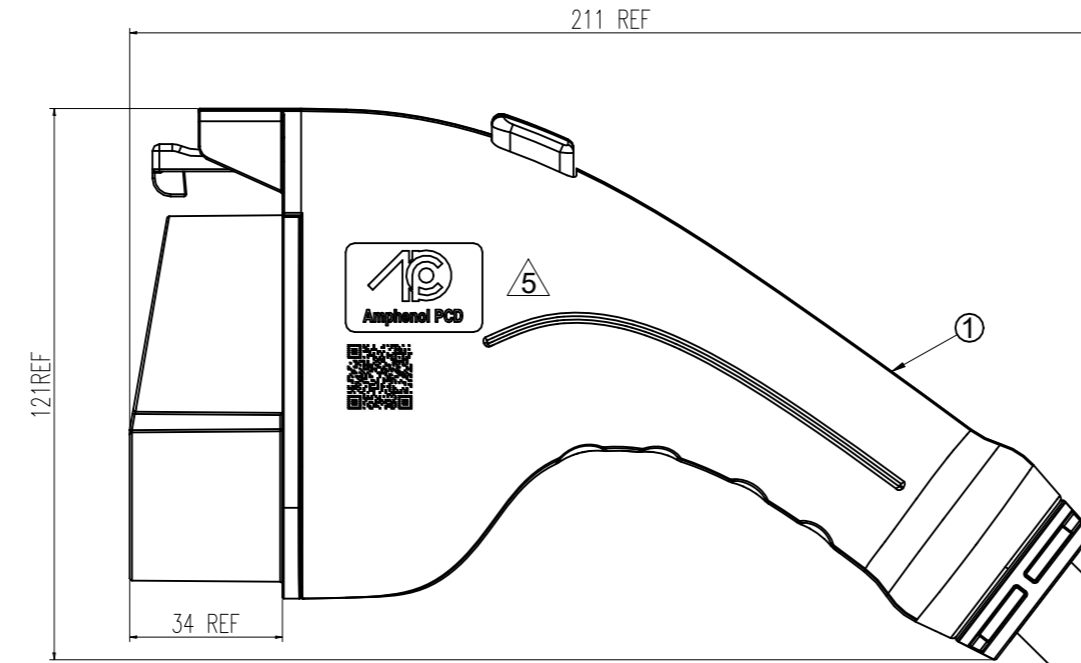
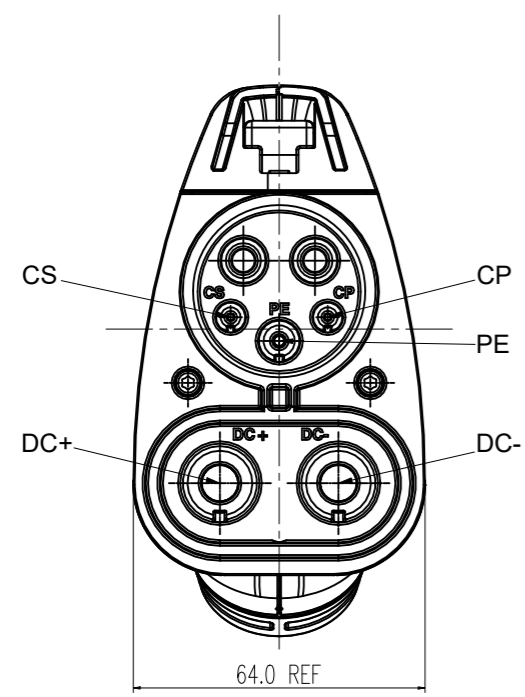


C-HVCOSAEMD40APLXXXX

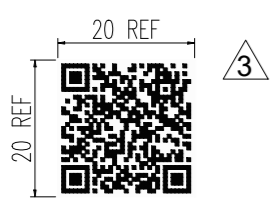
REV	ECN	DESCRIPTION	DATE	MODIFIED
1		STRUCTURAL CAHNGED FROM V0-1 VERSION	Aug-08-22	
2	R6469W	CHANGED OUTDOOR USE TO BE TYPE 3S	Aug-15-22	
3	R6644W	ADDED CE LOGO & QR CODE	July-16-23	
4	C6644N	UPDATED LASER MARKING	Aug-27-23	Max.Ma
5	R8136N	UPDATED AMPHENOL LOGO	Sep-05-24	Elanor

Amphenol PCD SZ
ORIGINAL
PDF Format
R&D



C-HVCOSAEMD40APLXXXX

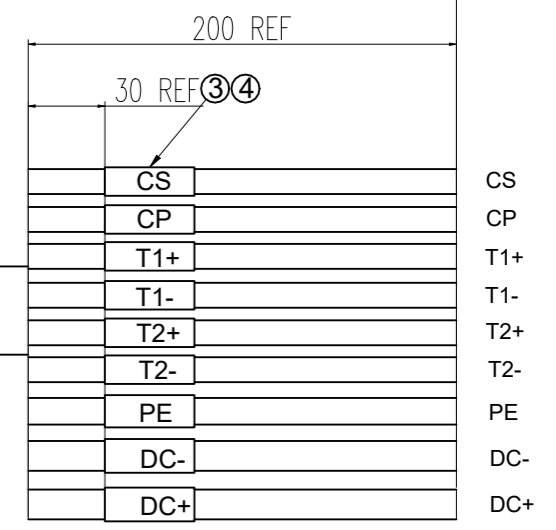
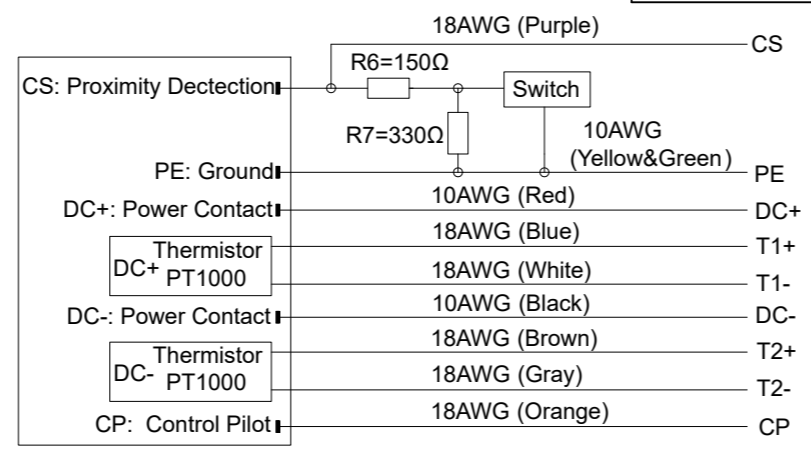
C-HVCOSAEMD40APLXXXX



QR code, Content including:
Part number#Work order number
#Serial number ex:0001
(ex:HVCOSAEMD40APL1000#XXXXXX#XXXX)

LENGTH	TOLERANCE
0 to 1000mm	+25 -10
1001 to 5000mm	+40 -10
>5000mm	+50 -20

Mode Of Connection:



- *Notes:
- Cable assembly data:
 - Rated Voltage: 1000V DC (DC+ & DC-); 30V DC (CP & CS);
 - Rated Current: 2A Max (CP & CS); 40A Max (DC+ & DC-)
 - Insulation Resistance: DC500V, 5MΩ MIN (CP / CS / SENSOR WIRE); DC1000V, 5MΩ MIN (DC+ / DC-)
 - Withstand Voltage: 3000V / AC r.m.s (DC+, DC-, PE, SENSOR WIRE); 500V / AC r.m.s (CP & CS);
 - Outdoor Use : UL Type 3S (Water resistant)
 - Durability: 10000 cycles
Ambient temperature: -30 to +50°C
The Type Of Temperature Sensor: PT1000
 - Cable minimum bending radius: ≥10XOD
 - RoHS Compliance
 - SAE Plug reference: C-HVCOSAEMDXXAXL0000
 - Reference For, SAE J1772, UL2251

ITEM	P/N	DESCRIPTION	QTY	UNIT
④	C210006509	SINGLE-WALL H.S.T:Ø 3.2mm WHITE	0.12	m
③	P05B000031	SINGLE-WALL H.S.T:Ø 8.0mm WHITE	0.06	m
②	P01BC00211	2X10AWG+10AWG+6X18AWG BLACK OD=19.5mm	AR	m
①	HVCOSAEMD40APL0000	CCS1 PLUG:HVCOSAEMD40APL0000 40A	1	EA

DIMENSIONS	TOLERANCES	PROJECTION	TITLE	SIZE	DWG NO.	REV
ANSI Y14.5M UNITS: MM CAD FILE	.X ± 0.5 .XX ± 0.05 ANGLES ± 2.0°		Amphenol PCD Shenzhen ENGR Aug-08-2022	A3	C-HVCOSAEMD40APLXXXX	5
ORIGINAL	THIS DOCUMENT CONTAINS PROPRIETARY INFORMATION WHICH IS THE CONFIDENTIAL PROPERTY OF Amphenol PCD Shenzhen Co. Ltd Amphenol PCD Shenzhen Co. Ltd RESERVES THE RIGHT TO CLARIFY THIS DRAWING		CHKD APPD	SCALE NA	SHEET 1 OF 1	