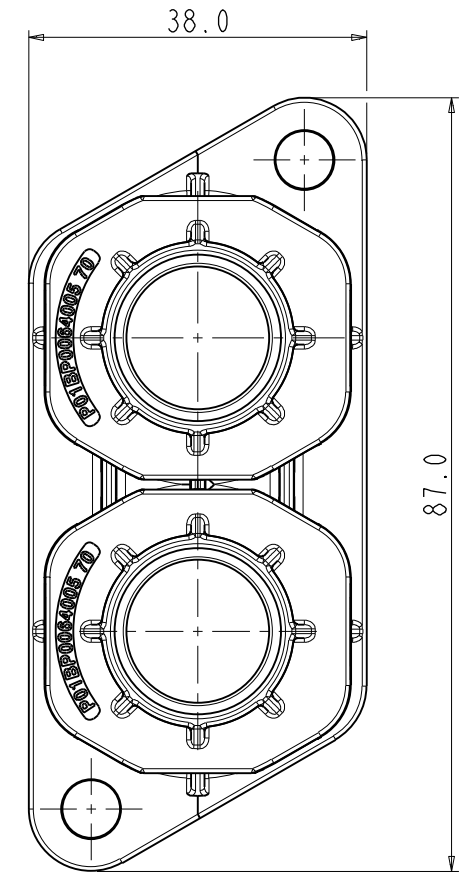
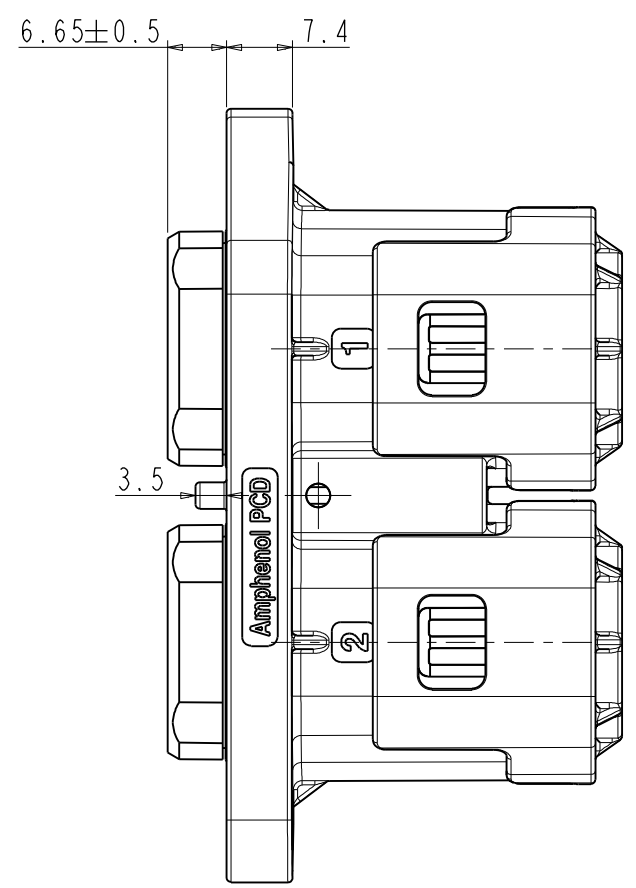
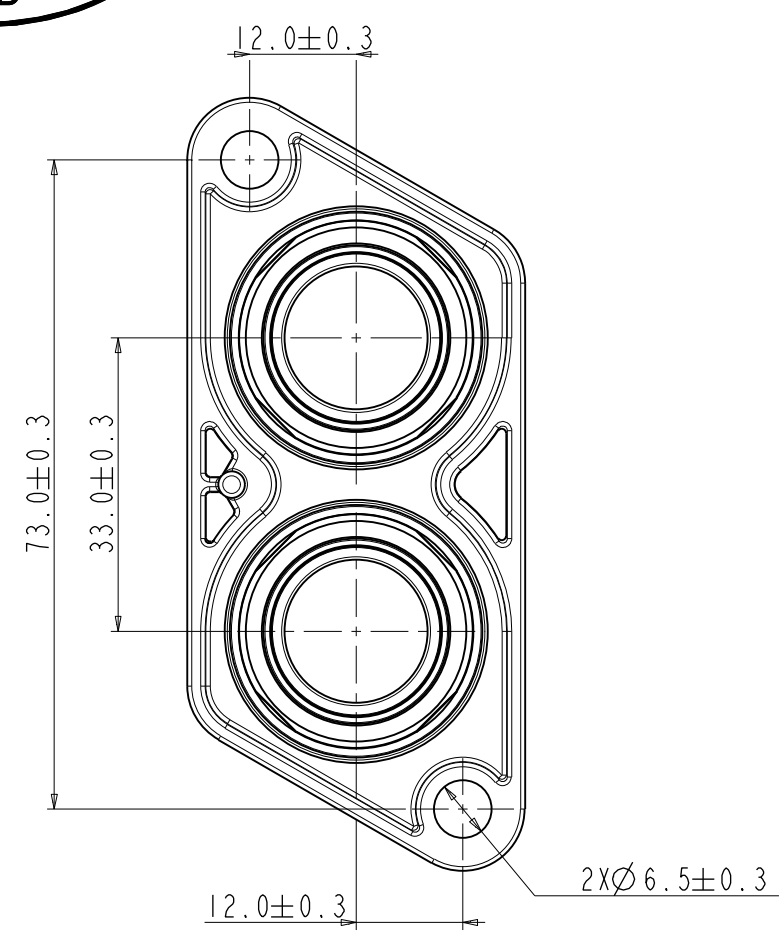


Amphenol PCDSZ
ORIGINAL
PDF Format
R&D

REV	ECN	DESCRIPTION	DATE	MODIFIED
1		RELEASE	Dec-30-22	
2	C7826N	CORRECTION PARAMETERS	Feb-28-24	

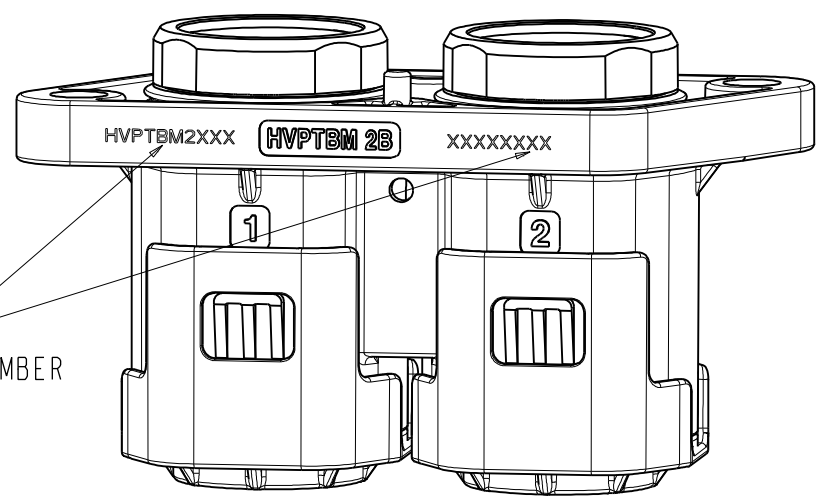


NOTE:
1. CONNECTOR DON'T INCLUDE LUG TERMINAL, NEED TO BUY SEPARATE:
THE LUG FOR 16mm² CABLE: C210005077, USE LEVEL: 2PCS
THE LUG FOR 25mm² CABLE: C210005075, USE LEVEL: 2PCS
THE LUG FOR 35mm² CABLE: C2100051712, USE LEVEL: 2PCS
THE LUG FOR 50mm² CABLE: C2100051841, USE LEVEL: 2PCS
THE LUG FOR 70mm² CABLE: POIBS00313, USE LEVEL: 2PCS
2. RECOMMENDED FLANGE TIGHTENING TORQUE: 6±0.6N.m
3. HOW TO ORDER: HVPTBM 2 X XX

A: CODDING A
B: CODDING B

- 01: FOR 16mm² SHIELDED WIRE; OD=11.2±0.3mm
- 02: FOR 25mm² SHIELDED WIRE; OD=12.2+0/-0.6mm
- 03: FOR 35mm² SHIELDED WIRE; OD=14.4+0/-0.6mm
- 04: FOR 50mm² SHIELDED WIRE; OD=15.8+0/-0.6mm
- 05: FOR 70mm² SHIELDED WIRE; OD=18.2+0/-0.8mm

PRINTING CONTENT:
P/N AND TRACEABILITY NUMBER



TECHNICAL DATA:		
OPERATING TEMPERATURE	-40~125°C	
SHIELDING	YES	
RoHS&REACH	YES	+
WATERPROOF	IP68&IP6K9K	+
CORROSION-PROOF GRADE (SALT FOG TEST)	500 HOURS	

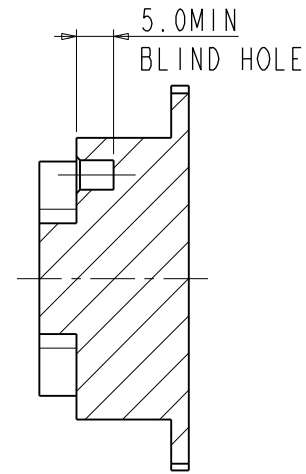
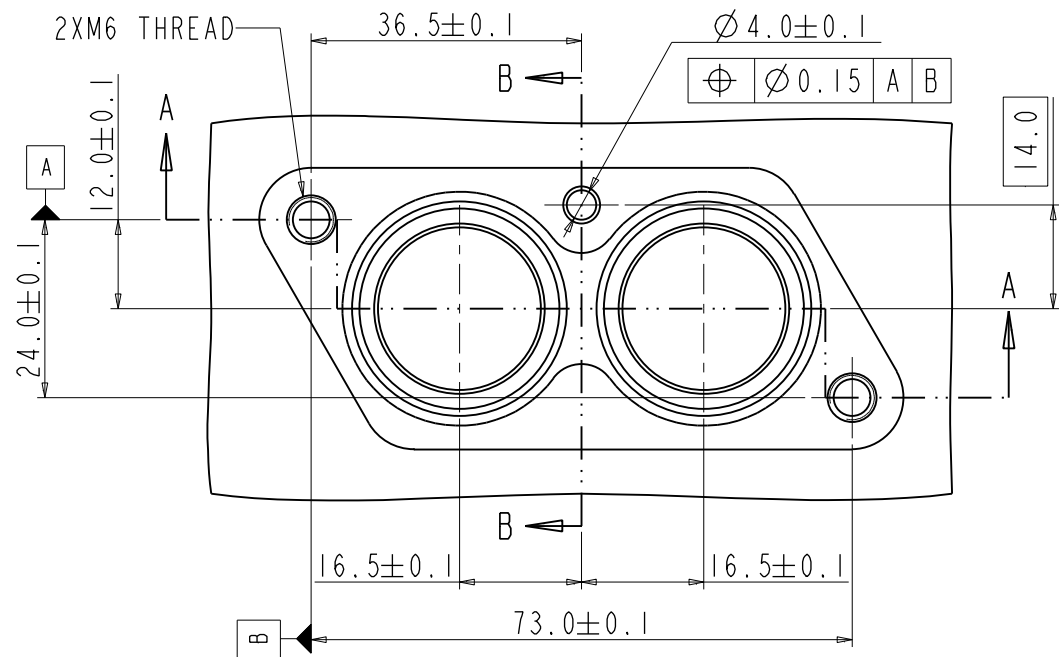
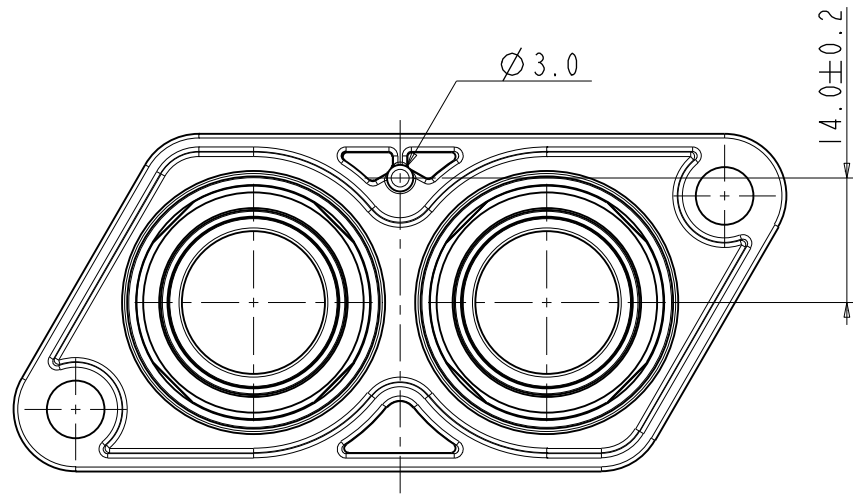


DIMENSIONS	TOLERANCES	PROJECTION	TITLE		
ANSI Y14.5M	X ±0.5		Amphenol PCD Shenzhen		
UNITS: MM	XX ±0.05		ENGR Dec-30-22		
Pro/E FILE	ANGLES ±2°		SIZE	DWG NO.	REV
ORIGINAL	THIS DOCUMENT CONTAINS PROPRIETARY INFORMATION WHICH IS THE CONFIDENTIAL PROPERTY OF Amphenol PCD Shenzhen Co. Ltd Amphenol PCD Shenzhen Co. Ltd RESERVES THE RIGHT TO CLARIFY THIS DRAWING	CHKD	A3	C-HVPTBM2XXX	2
		APPD	SCALE: 1:1		SHEET 1 OF 3

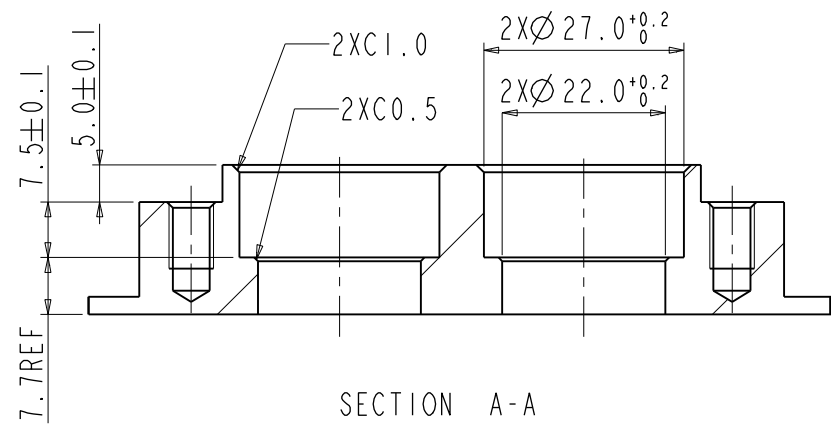
C-HVPTBM2XXX

C-HVPTBM2XXX

HVPTBM2BXX
CODING B



SECTION B-B



SECTION A-A

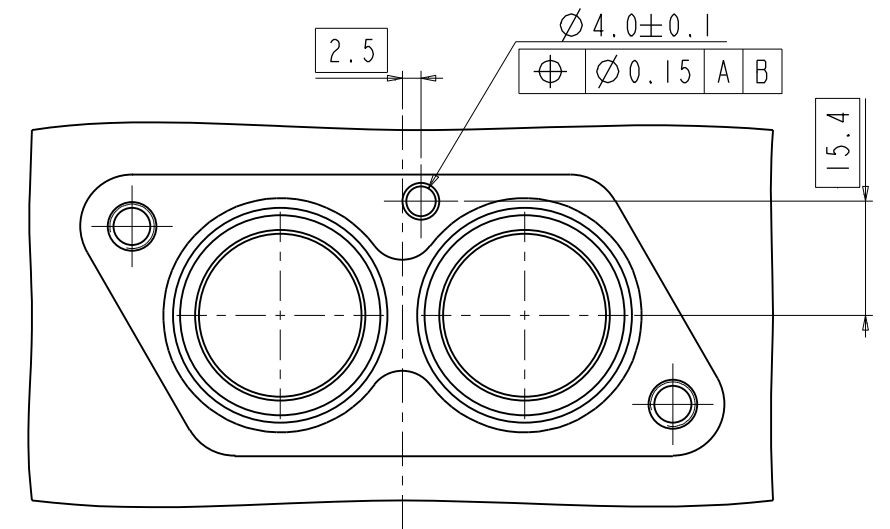
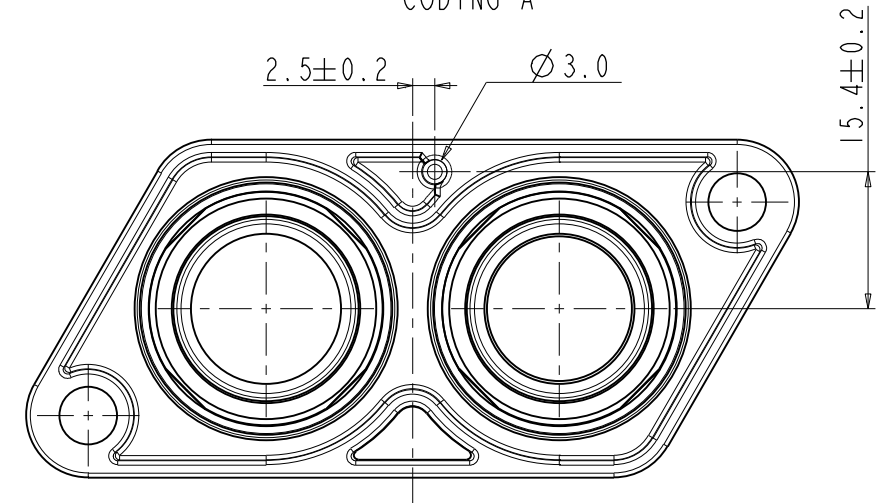
MOUNTING PANEL RECOMMENDED DIMENSIONS

安费诺精密连接器(深圳)有限公司
Amphenol PCD Shenzhen

受控文件

2024年3月19日

HVPTBM2AXX
CODING A



MOUNTING PANEL RECOMMENDED DIMENSIONS

C-HVPTBM2XXX

C-HVPTBM2XXX

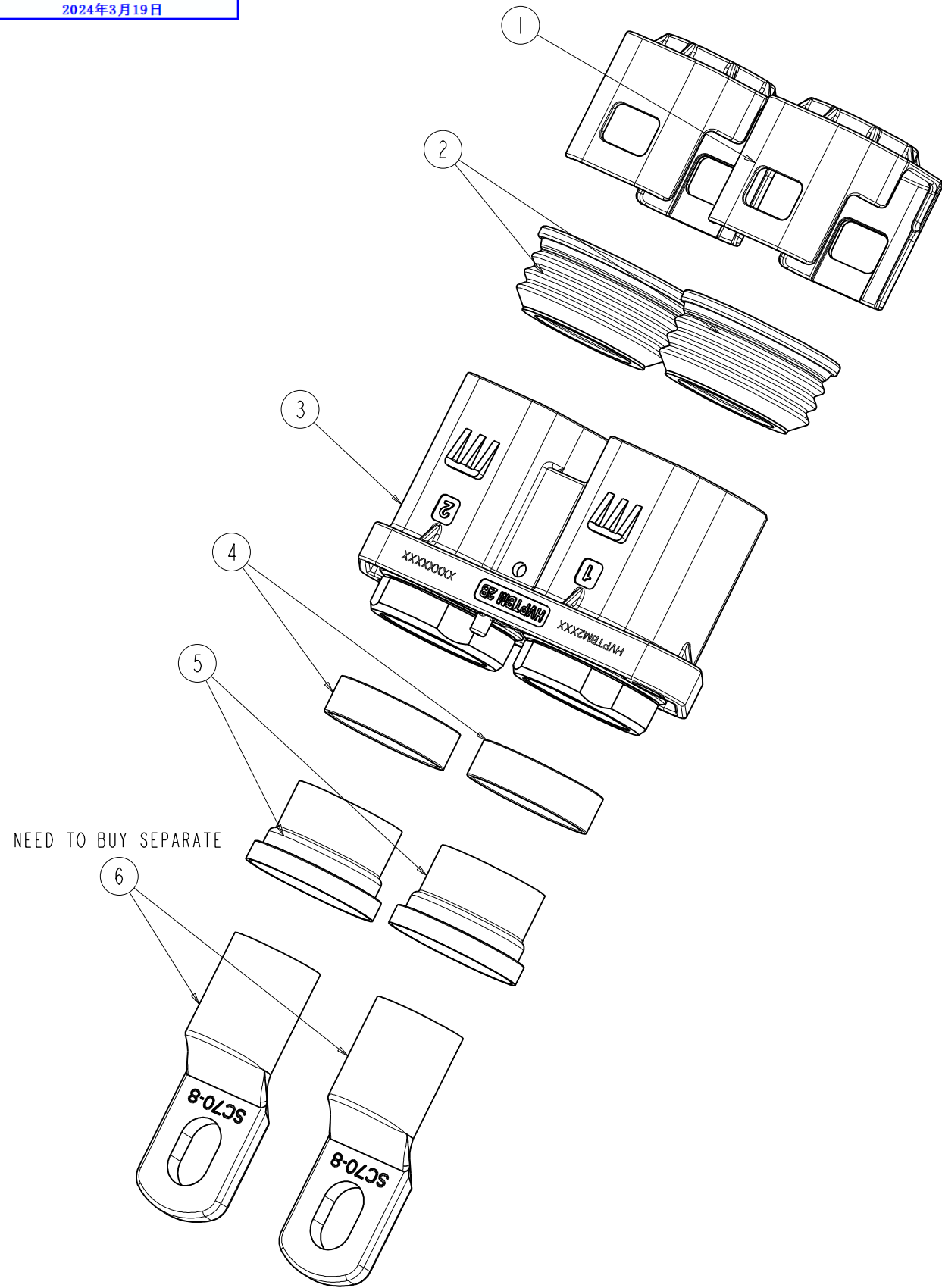
SIZE	DWG NO.	REV
A3	C-HVPTBM2XXX	2
SCALE: 1:1		SHEET 2 OF 3

C-HVPTBM2XXX

安费诺精密连接器(深圳)有限公司
Amphenol PCD Shenzhen

受控文件

2024年3月19日



HVPTBM 2 X XX

ITEM	P/N	DESCRIPTION	QTY
1	P01BP0064001	END CAP FOR 16mm ² CABLE	2
	P01BP0064002	END CAP FOR 25mm ² CABLE	
	P01BP0064003	END CAP FOR 35mm ² CABLE	
	P01BP0064004	END CAP FOR 50mm ² CABLE	
	P01BP0064005	END CAP FOR 70mm ² CABLE	
2	P01BR00559	CABLE SEAL FOR 16MM ² CABLE	2
	P01BR00482	CABLE SEAL FOR 25MM ² CABLE	
	P01BR00483	CABLE SEAL FOR 35MM ² CABLE	
	P01BR00484	CABLE SEAL FOR 50MM ² CABLE	
	P01BR00485	CABLE SEAL FOR 70MM ² CABLE	
3	P02B00031801	MAIN BODY FOR CODDING A	1
	P02B00031802	MAIN BODY FOR CODDING B	
4	P01BS00325	SHIELD RING FOR 16mm ² CABLE	2
	P01BS00326	SHIELD RING FOR 25mm ² CABLE	
	P01BS00327	SHIELD RING FOR 35mm ² CABLE	
	P01BS00328	SHIELD RING FOR 50mm ² CABLE	
	P01BS00329	SHIELD RING FOR 70mm ² CABLE	
5	P01BS0031401	SHIELD SHELL FOR 16mm ² CABLE	2
	P01BS0031402	SHIELD SHELL FOR 25mm ² CABLE	
	P01BS0031403	SHIELD SHELL FOR 35mm ² CABLE	
	P01BS0031404	SHIELD SHELL FOR 50mm ² CABLE	
	P01BS0031405	SHIELD SHELL FOR 70mm ² CABLE	
6	C210005077	LUG FOR 16mm ² CABLE (NEED TO BUY SEPARATE)	2
	C210005075	LUG FOR 25mm ² CABLE (NEED TO BUY SEPARATE)	
	C2100051712	LUG FOR 35mm ² CABLE (NEED TO BUY SEPARATE)	
	C2100051841	LUG FOR 50mm ² CABLE (NEED TO BUY SEPARATE)	
	P01BS00313	LUG FOR 70mm ² CABLE (NEED TO BUY SEPARATE)	

C-HVPTBM2XXX

C-HVPTBM2XXX

SIZE A3	DWG NO. C-HVPTBM2XXX	REV 2
SCALE: 1:1		SHEET 3 OF 3