

REV	ECN	DESCRIPTION	DATE	MODIFIED
1		PRE-RELEASE	2021.12.07	
2	R6051W	UPDATED MARKING AND IDENTIFIER	Jan-10-22	
3	R6627W	ADDED UKCA IDENTIFIER	Oct-31-22	

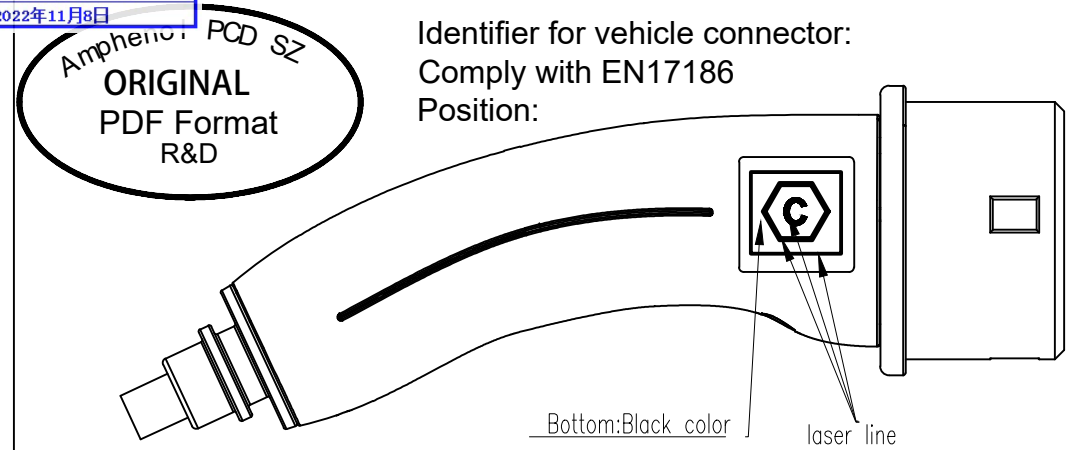


Photo see below:

Size see below:

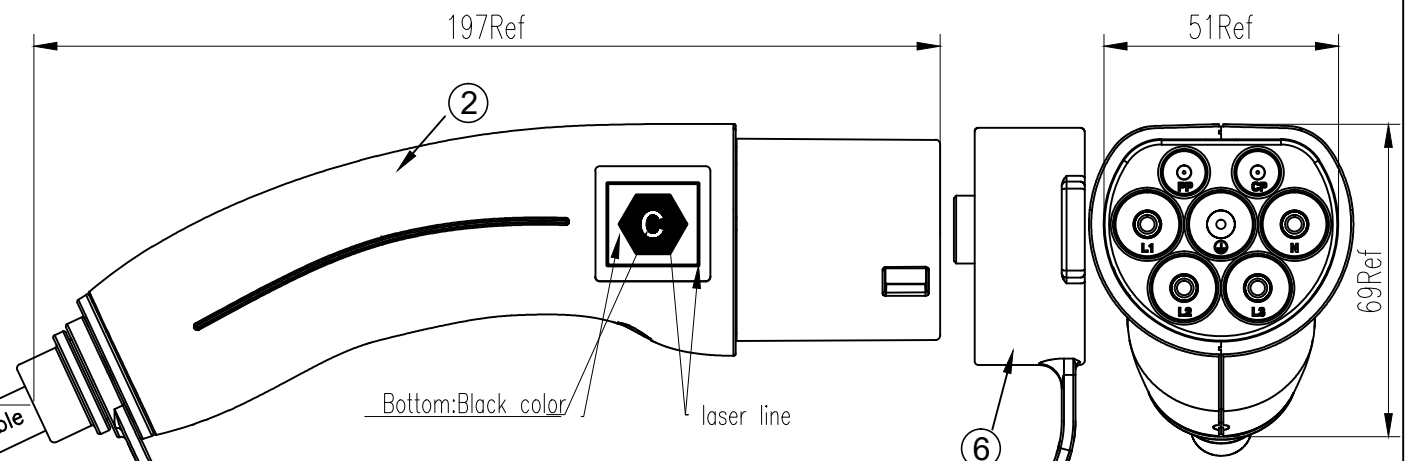
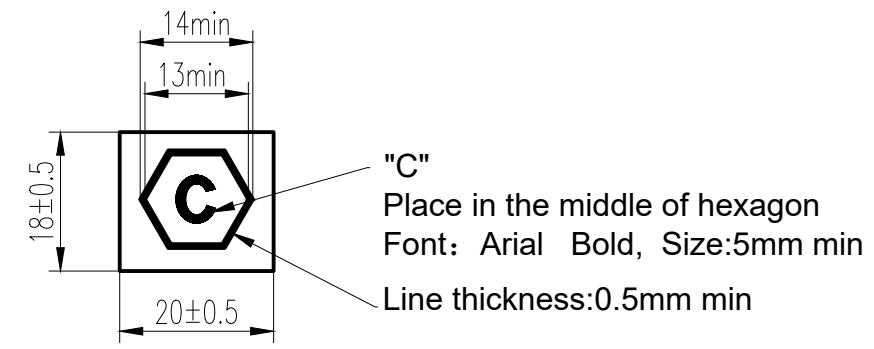
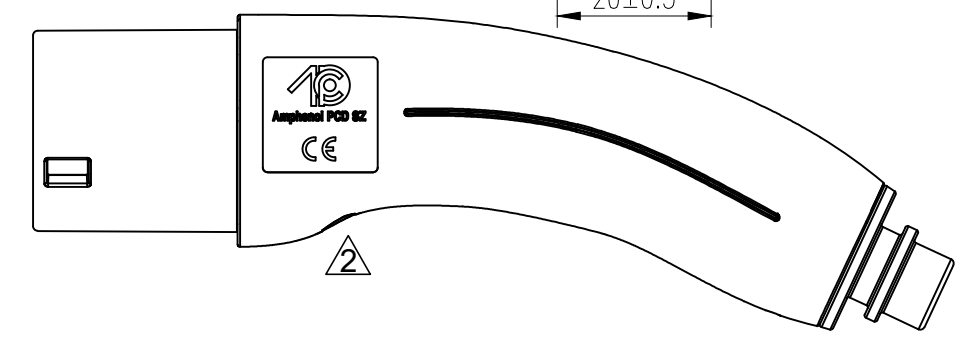
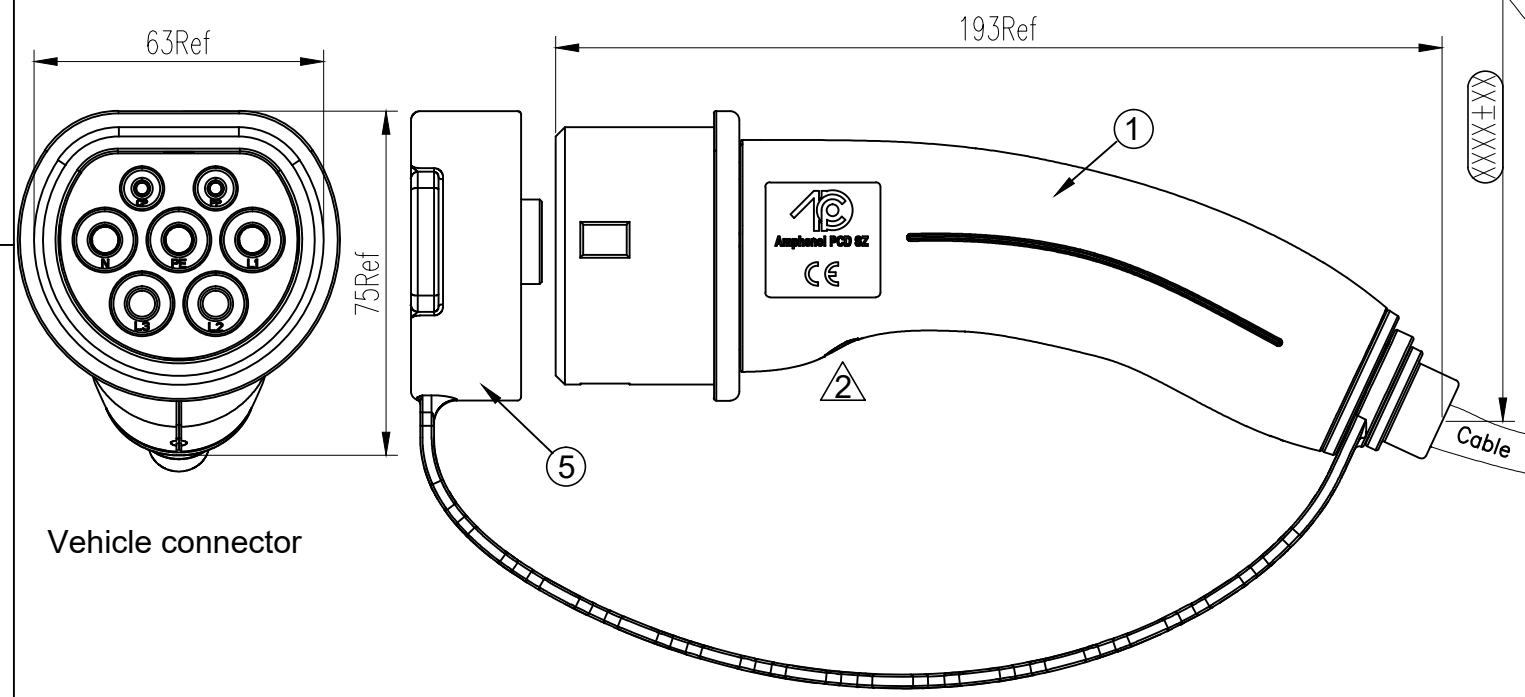
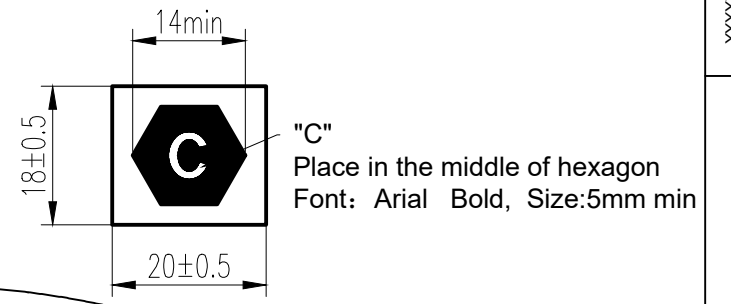


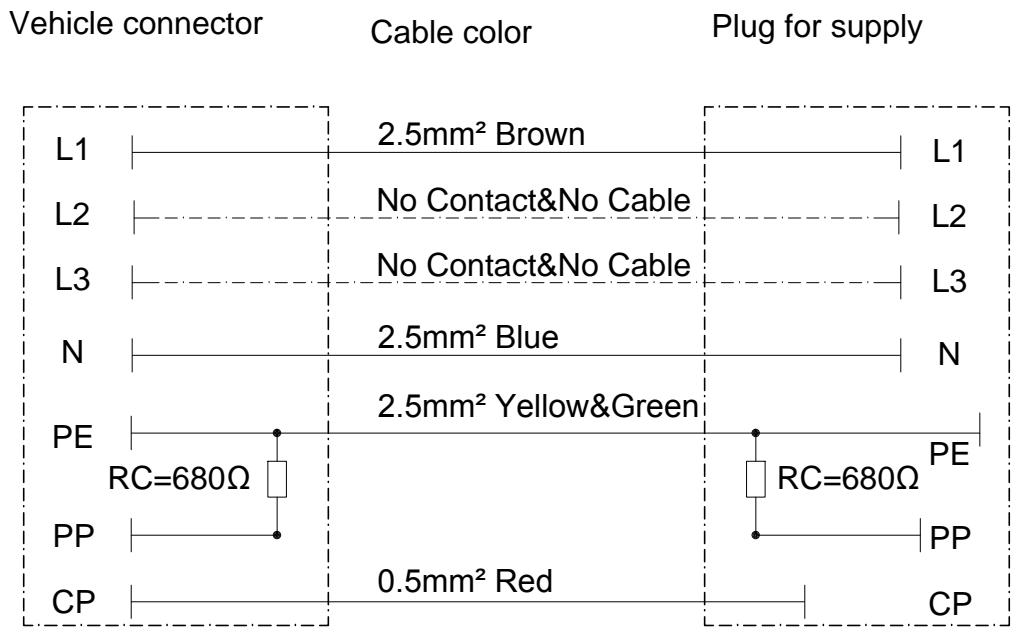
Photo see below:

Size see below:



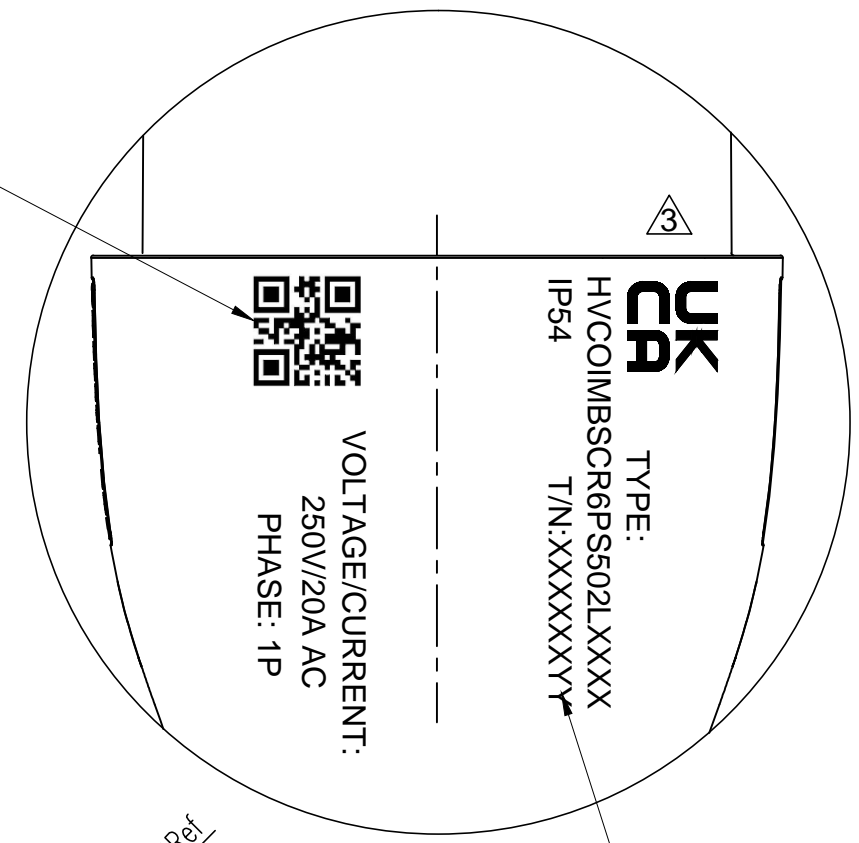
DIMENSIONS	TOLERANCES	PROJECTION	TITLE	
ANSI Y14.5M UNITS: MM	.X ± 0.5 .XX ±0.05 ANGLES ±2.0°		IEC CHARGING COUPLER 20A, SINGLE PHASE CABLE ASSEMBLY-POTTING	
ORIGINAL	THIS DOCUMENT CONTAINS PROPRIETARY INFORMATION WHICH IS THE CONFIDENTIAL PROPERTY OF Amphenol PCD Shenzhen Co. Ltd Amphenol PCD Shenzhen Co. Ltd RESERVES THE RIGHT TO CLARIFY THIS DRAWING	Amphenol PCD Shenzhen	ENGR	Jan-10-2022
		CHKD	APPD	
		SIZE	DWG NO.	REV
		A3	C-HVCOIMBSCR6PS502LXXXX	3
		SCALE	NA	SHEET 1 OF 2

MODE OF CONNECTION



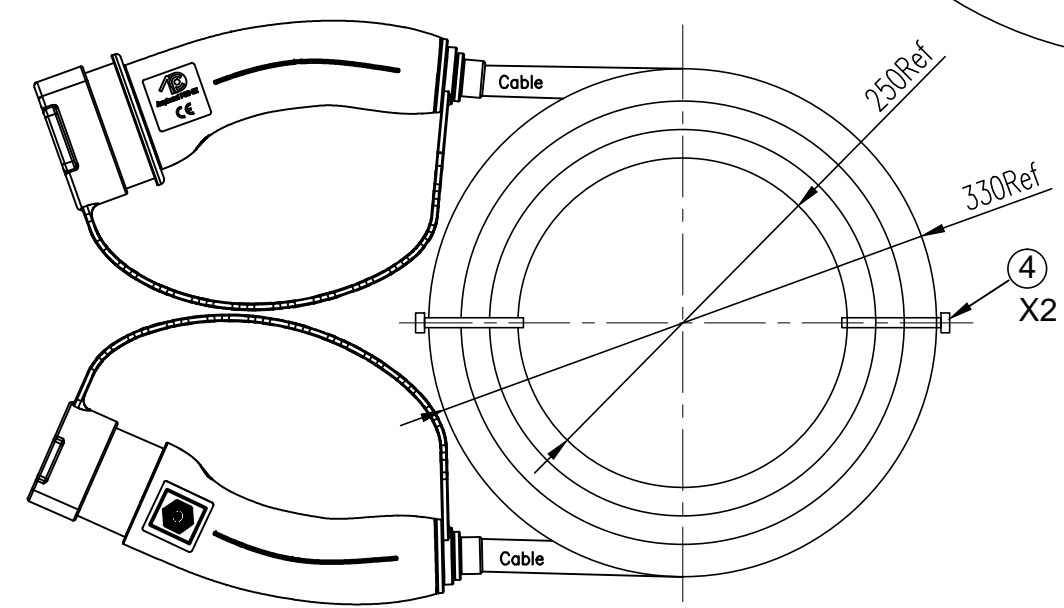
⚠ Laser Marking On Vehicle & Stake Plug
QR code only in Vehicle connector end

QR code, content including:
Part number
+Product order number
+ Serial number ex:0001



Product order number + batch number

COILING SIZE



*Notes:

- Cable assembly data:
 - Rated Voltage:250V AC(L1 &N&PE),30V DC(PP&CP);
 - Rated Current:20A Max(L1&N),2A Max(PP&CP);
 - Insulation Resistance:100MΩ Min;
 - Dielectric Withstand Voltage :2000V/AC r.m.s,
 - IP-Class:IP54(with CAP fitted) IP55(when mated) IP67 for enclosure;
 - ◎ Durability:10000 cycles;
 - Comply With RoHS;
 - Ambient Temperature: -30°C ~ +50°C;
- Connector reference: C-HVCOIMBR6PS502L0000
C-HVCOIMBSR6PS502L0000;
- Reference: IEC 62196-2;
- Identifier based on EN17186;
- Minimun bending radius:102mm;
- HVCOIMBSCR6PS502LXXXX

Length(mm)	Tolerance
0~1000	±50
1001~5000	±100
>5000	±200

ITEM	P/N	DESCRIPTION	QTY	UNIT
⑥	P01BP00366	DUST CAP FOR PLUG, BLACK	1	EA
⑤	P01BP00382	DUST CAP FOR VEHICLE CONNECTOR, BLACK	1	EA
④	P05C000011	CABLE TIE BLACK	2	EA
③	CABLE	3C*2.5mm ² +1C*0.5mm ² BK OD=10.2±0.35	AR	m
②	HVCOIMBSR6PS502L0000	PLUG FOR SUPPLY, 1P,20A,BLACK	1	EA
①	HVCOIMBR6PS502L0000	VEHICLE CONNECTOR, 1P,20A,BLACK	1	EA

SIZE	DWG NO.	REV
A3	C-HVCOIMBSCR6PS502LXXXX	3
SCALE	NA	SHEET 2 OF 2

C-HVCOIMBSCR6PS502LXXXX

C-HVCOIMBSCR6PS502LXXXX