

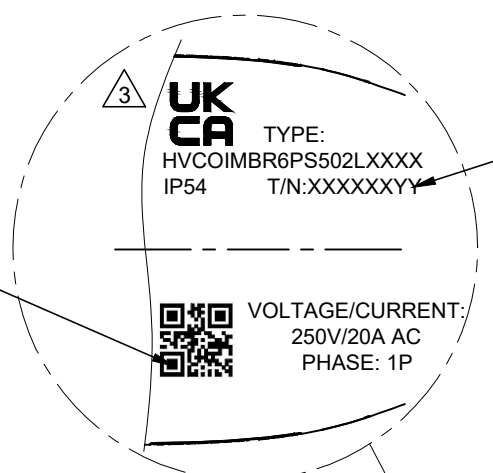
Amphenol PCD SZ  
**ORIGINAL**  
PDF Format  
R&D

C-HVCOIMBR6PS502LXXXX

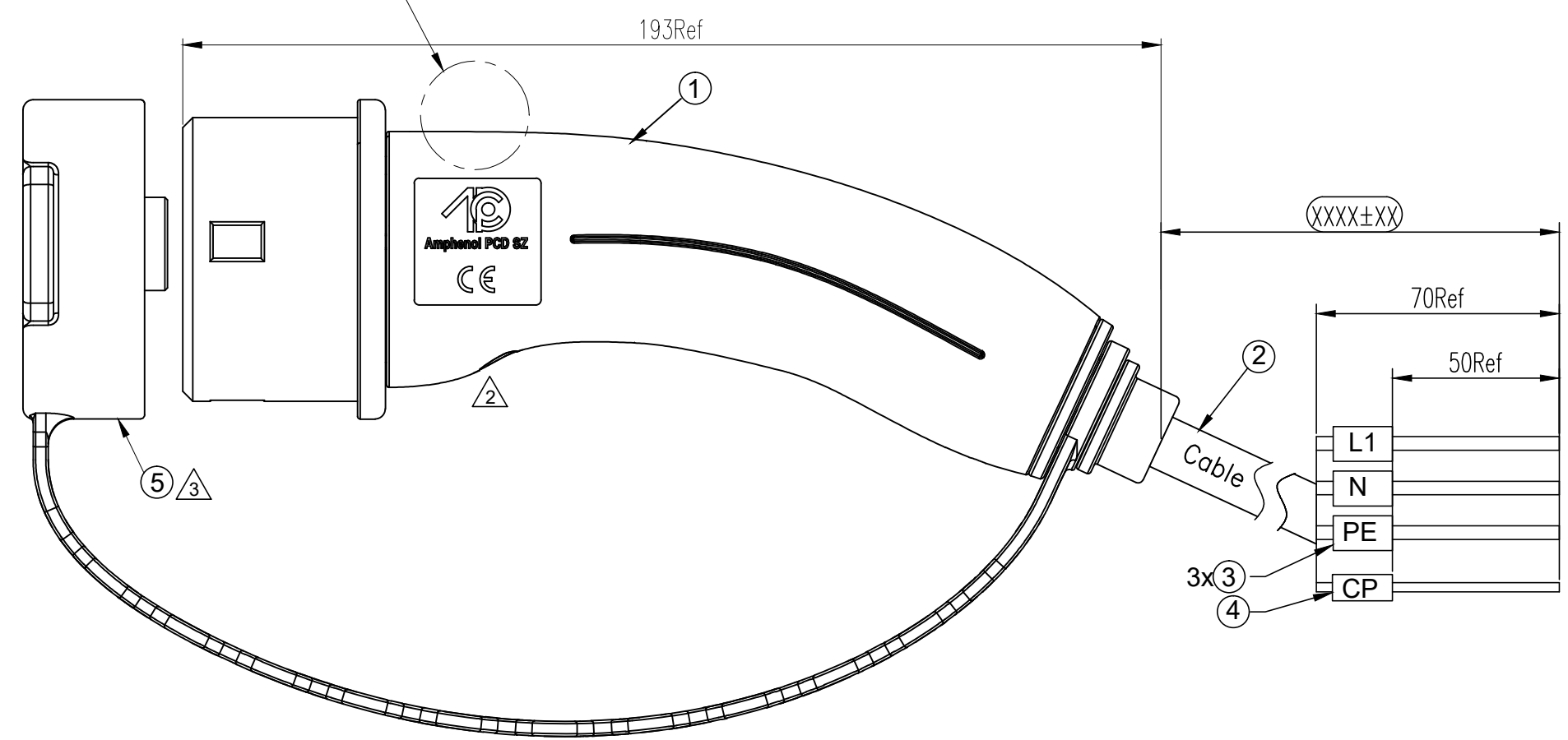
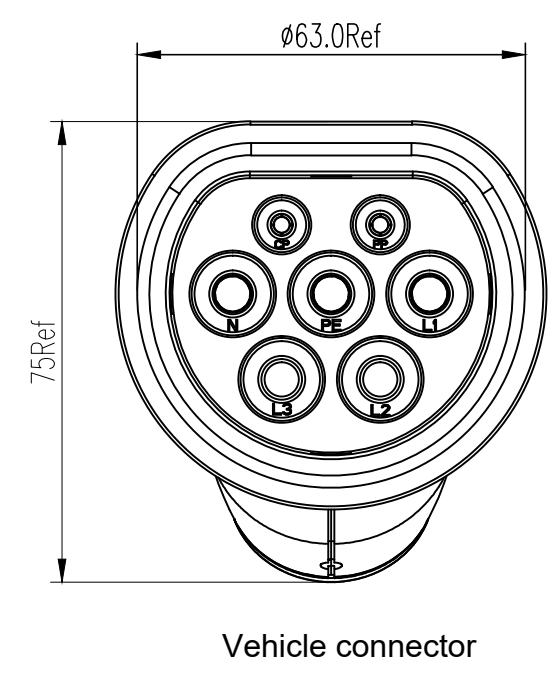
REV	ECN	DESCRIPTION	DATE	MODIFIED
1		PRE-RELEASE	2021.07.08	
2	R6051W	UPDATED MARKING AND IDENTIFIER	Jan-10-22	
3	R6627W	ADDED UKCA IDENTIFIER AND CAP	Oct-31-22	

Laser Marking

△2  
QR code,  
content including:  
Part number  
+Product order number  
+ Serial number ex:0001



Product order number  
+ batch number

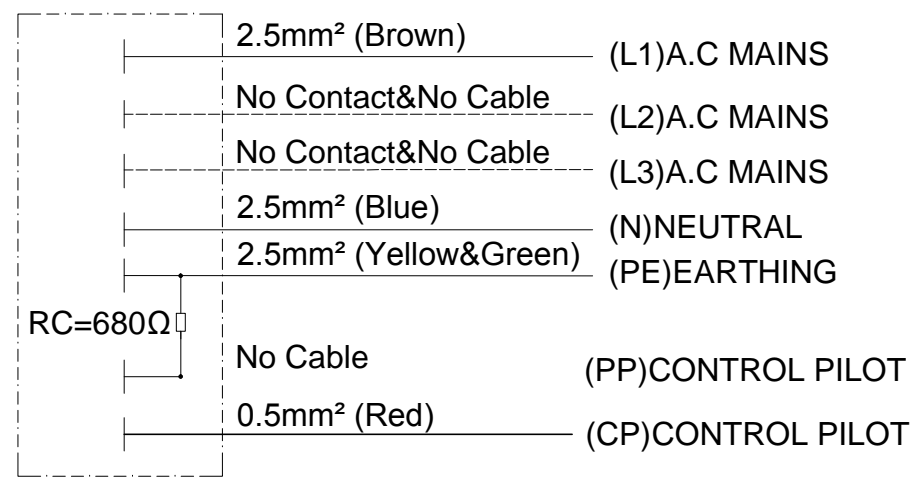


DIMENSIONS ANSI Y14.5M UNITS: MM	TOLERANCES .X ± 0.5 .XX ±0.05 ANGLES ±2.0°	PROJECTION 	Amphenol PCD Shenzhen		TITLE <b>IEC VEHICLE CONNECTOR 20A SINGLE PHASE CABLE ASSEMBLY-POTTING</b>		
			ENGR	Jan-10-2022			
ORIGINAL	THIS DOCUMENT CONTAINS PROPRIETARY INFORMATION WHICH IS THE CONFIDENTIAL PROPERTY OF Amphenol PCD Shenzhen Co. Ltd Amphenol PCD Shenzhen Co. Ltd RESERVES THE RIGHT TO CLARIFY THIS DRAWING	CHKD	SIZE	DWG NO.	REV		
			A3	C-HVCOIMBR6PS502LXXXX	3	SCALE 1:1	SHEET 1 OF 2

C-HVCOIMBR6PS502LXXXX

C-HVCOIMBR6PS502LXXXX

MODE OF CONNECTION:



Identifier:  
Comply with EN17186  
Position:

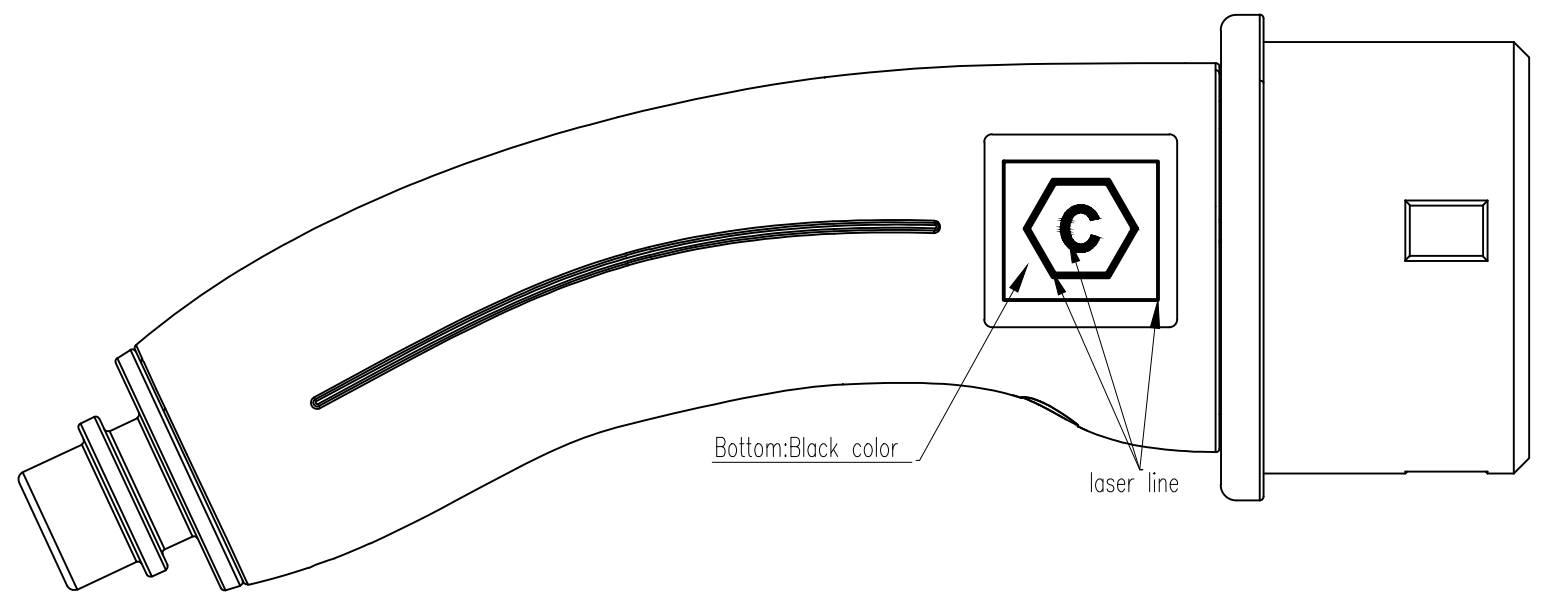
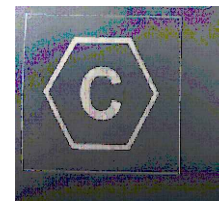
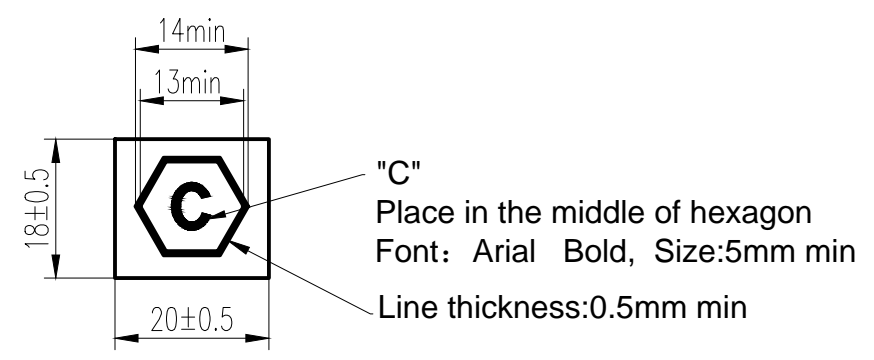


Photo see below:



Size see below:



\*Notes:

- Cable assembly data:
  - Rated Voltage:250VAC(L1& N & PE),30VDC(PP & CP);
  - Rated Current:20A Max(L1& N),2A Max(PP & CP);
  - Insulation Resistance:100MΩ Min(DC500V);
  - Withstand Voltage:2000V/AC r.m.s;
  - IP-Class: IP54(with CAP fitted) IP55(when mated) IP67 for enclosure;
  - Comply With RoHS;
  - Durability: ≥ 10000 cycles;
  - Ambient Temperature: -30°C ~ +50°C;
- IEC Plug reference: C-HVCOIMBR6PS502L0000;
- Reference: IEC 62196-2 , EN17186;
- Minimun bending radius:102mm;
- HVCOIMBR6PS502LXXXX

Length(mm)	Tolerance
0~1000	±50
1001~5000	±100
>5000	±200

⑤	P01BP00382	△3	DUST CAP FOR VEHICLE CONNECTOR, BLACK	1	EA
④	P05B000002		SINGLE-WALL H.S.T: Ø2.5 WHITE	0.02	m
③	C210006837		SINGLE-WALL H.S.T: Ø3.2 WHITE	0.06	m
②	CABLE		3C*2.5mm <sup>2</sup> +1C*0.5mm <sup>2</sup> BK OD=10.2±0.35	AR	m
①	HVCOIMBR6PS502L0000		VEHICLE CONNECTOR, 1P,20A,BLACK	1	EA
ITEM	P/N		DESCRIPTION	QTY	UNIT

SIZE	DWG NO.	REV
A3	C-HVCOIMBR6PS502LXXXX	3
SCALE	1:1	SHEET 2 OF 2

C-HVCOIMBR6PS502LXXXX

C-HVCOIMBR6PS502LXXXX