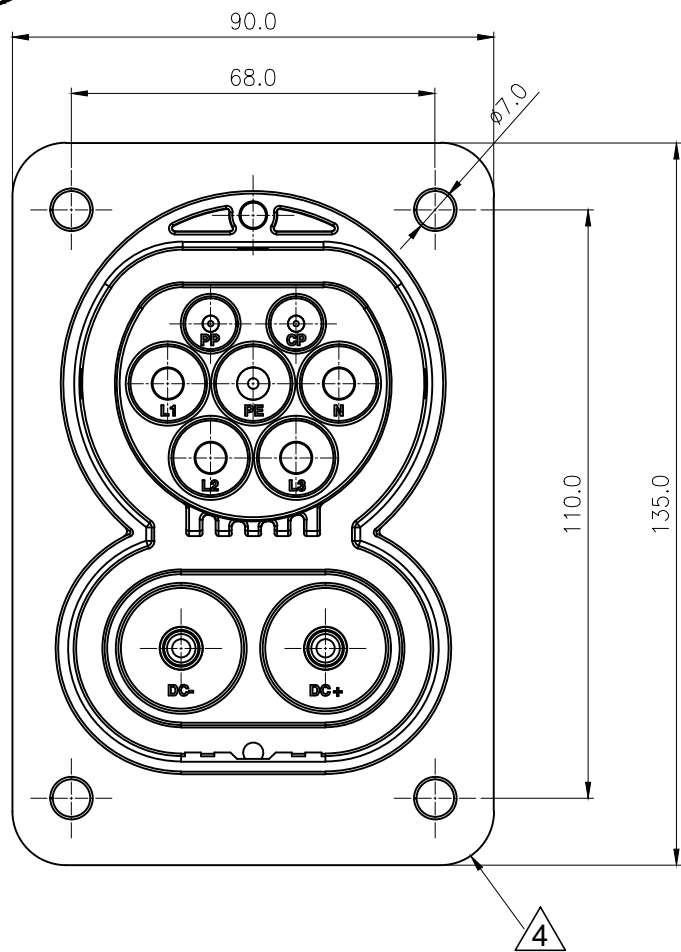
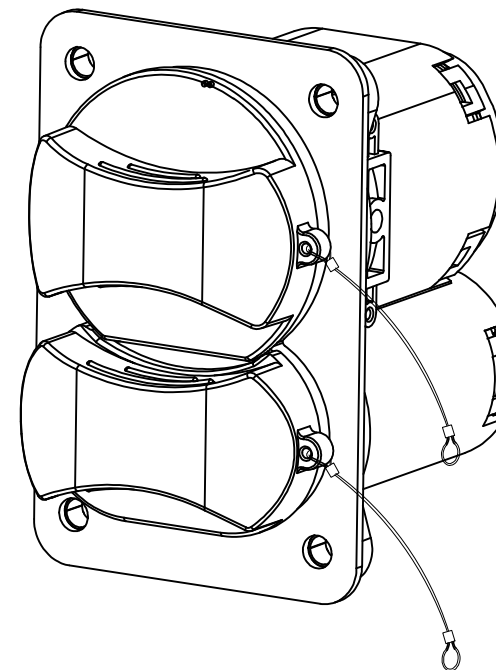
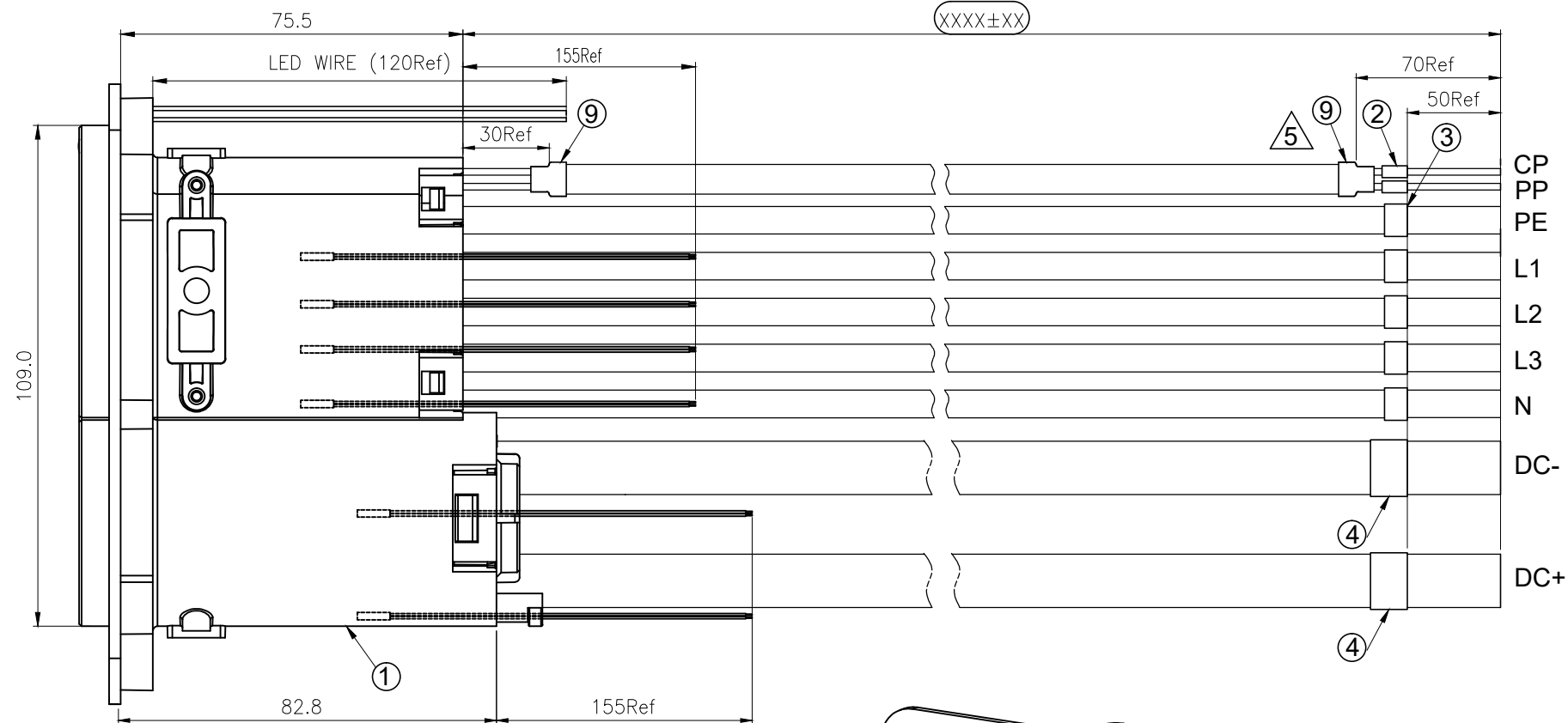
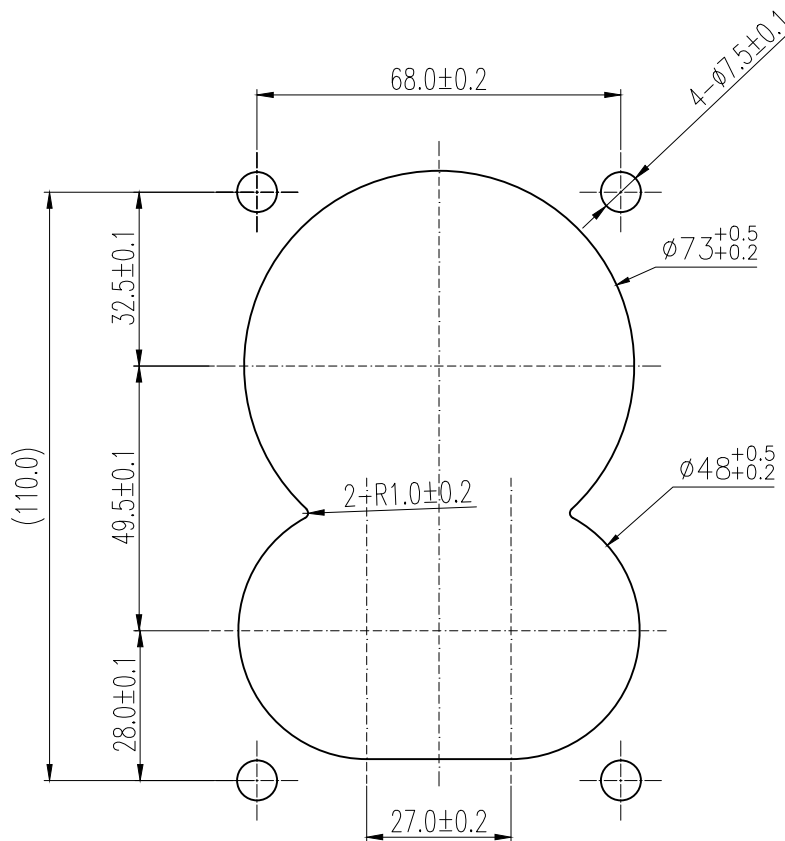


REV	ECN	DESCRIPTION	DATE	MODIFIED
1		PRE-RELEASE	2020.11.11	

Amphenol PCD SZ
ORIGINAL
PDF Format
R&D



IEC COMBO
FOR VEHICLE COUPLER SOCKET



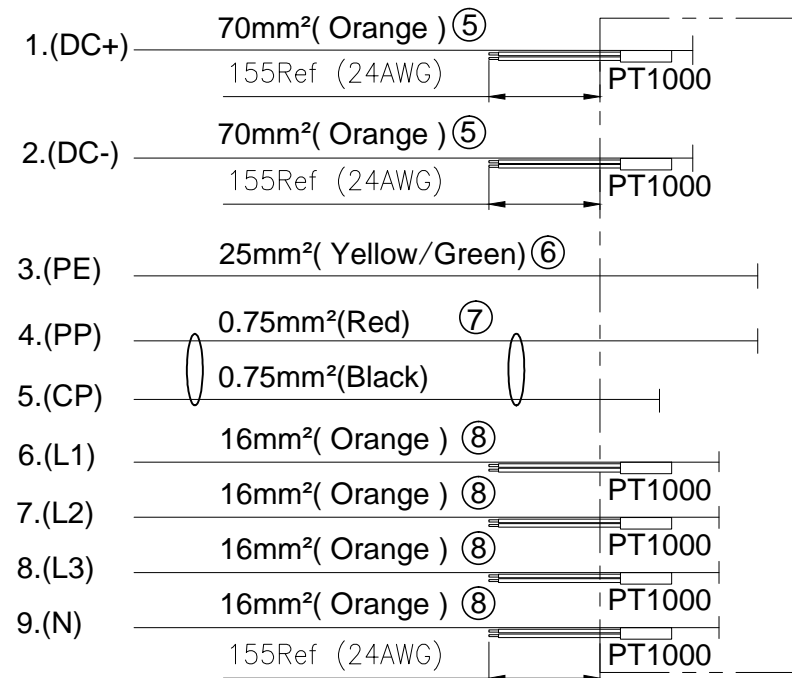
安费诺精密连接器(深圳)有限公司
Amphenol PCD Shenzhen
受控文件
2021年2月2日

DIMENSIONS	TOLERANCES	PROJECTION	Amphenol PCD Shenzhen		TITLE		
ANSI Y14.5M UNITS: MM CAD FILE	.X ± 0.5 .XX ± 0.05 ANGLES ± 2.0°		ENGR	2020.11.11	IEC COMBO FOR VEHICLE SOCKET DC 1000V/200A;AC 480V/63A CABLE ASSEMBLY		
ORIGINAL	THIS DOCUMENT CONTAINS PROPRIETARY INFORMATION WHICH IS THE CONFIDENTIAL PROPERTY OF Amphenol PCD Shenzhen Co. Ltd Amphenol PCD Shenzhen Co. Ltd RESERVES THE RIGHT TO CLARIFY THIS DRAWING	CHKD	SIZE	DWG NO.	REV		
		APPD	A3	C-HVCOCF16ATR8SF970Lxxxx	1		
			CODE: 58982	SCALE	SHEET	1 OF 2	

C-HVCOCF16ATR8SF970Lxxxx

C-HVCOCF16ATR8SF970Lxxxx

CABLE CONNECT METHOD



安费诺精密连接器(深圳)有限公司
Amphenol PCD Shenzhen
受控文件
2021年2月2日

*Notes:

1.Cable assembly data:

✦ Rated Voltage&Rated Current:

- DC+:1000V DC 200A;
- DC-:1000V DC 200A;
- PE: 25mm² GROUND;
- L1&L2&L3&N :480V AC 63A;
- PP:30V DC 2A;
- CP:30V DC 2A;

✦ Insulation Resistance:

- 100MΩ Min(1000V DC/DC+&DC-)
- 100MΩ Min(500V DC/ L1&L2&L3&N&CP&PP)

✦ Withstand Voltage:

- 3000V/AC r.m.s(DC+&DC-);
- 2000V/AC r.m.s(L1&L2&L3&N);
- 500V/AC r.m.s(CP&PP);

✦ IP-Class(mated): IP44(IEC COMBO);

◎ Durability:10000 cycles(IEC COMBO);

✦ RoHS Compliance;

Ambient Temperature: -30°C ~ +50°C;

2.Reference: C-HVCOCF16ATR8SF970L0000 ;

3.HVCOCF16ATR8SF970LXXXX

LENGTH	TOLERANCE
0~1000MM	±50
1001~5000MM	±100
>5000MM	±200

⑨	H.S.T	DOUBLE-WALL H.S.T:Ø8 BLACK	0.05	M
⑧	CABLE	1C*16mm ² SHIELDING ORANGE OD=8.6±0.3 TINNED COPPER	AR	M
⑦	CABLE	2*0.75mm ² SHIELDING ORANGE OD=6.7±0.2 (RED/BLACK)	AR	M
⑥	CABLE	1C*25mm ² UNSHIELDING YELLOW/GREEN OD=9.3±0.2	AR	M
⑤	CABLE	1C*70mm ² SHIELDING ORANGE OD=19±0.5 TINNED COPPER	AR	M
④	H.S.T	SINGLE-WALL H.S.T: Ø20 WHITE	0.1	M
③	H.S.T	SINGLE-WALL H.S.T: Ø12.7 WHITE	0.15	M
②	H.S.T	SINGLE-WALL H.S.T: Ø3.2 WHITE	0.1	M
①	IEC COMBO	HVCOCF16ATR8SF970L0000 200A	1	EA
ITEM	NAME	DESCRIPTION	QTY	UNIT

SIZE	DWG NO.	REV
A3	C-HVCOCF16ATR8SF970Lxxxx	1
CODE: 58982	SCALE	SHEET 2 OF 2