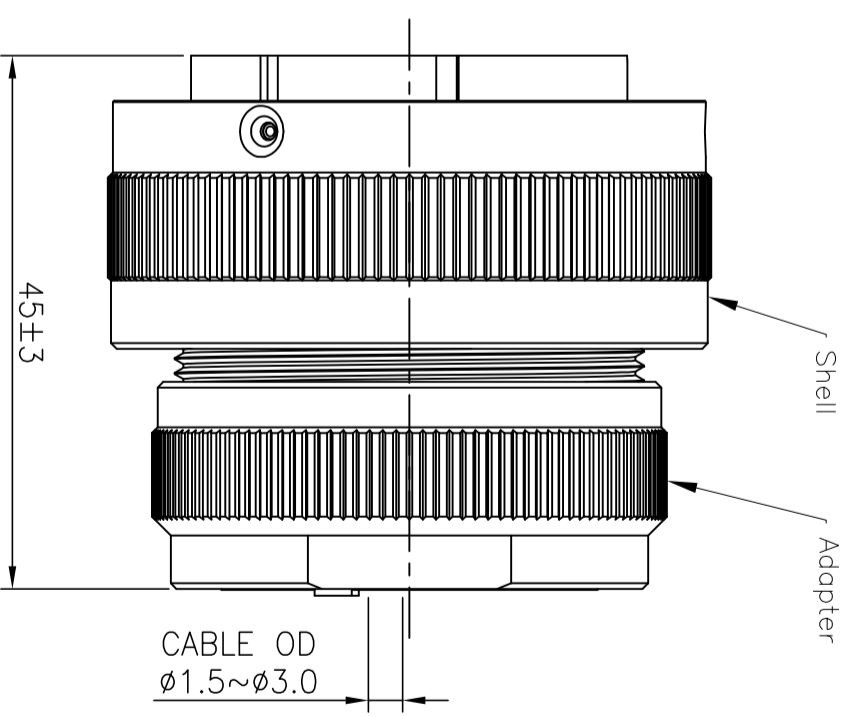
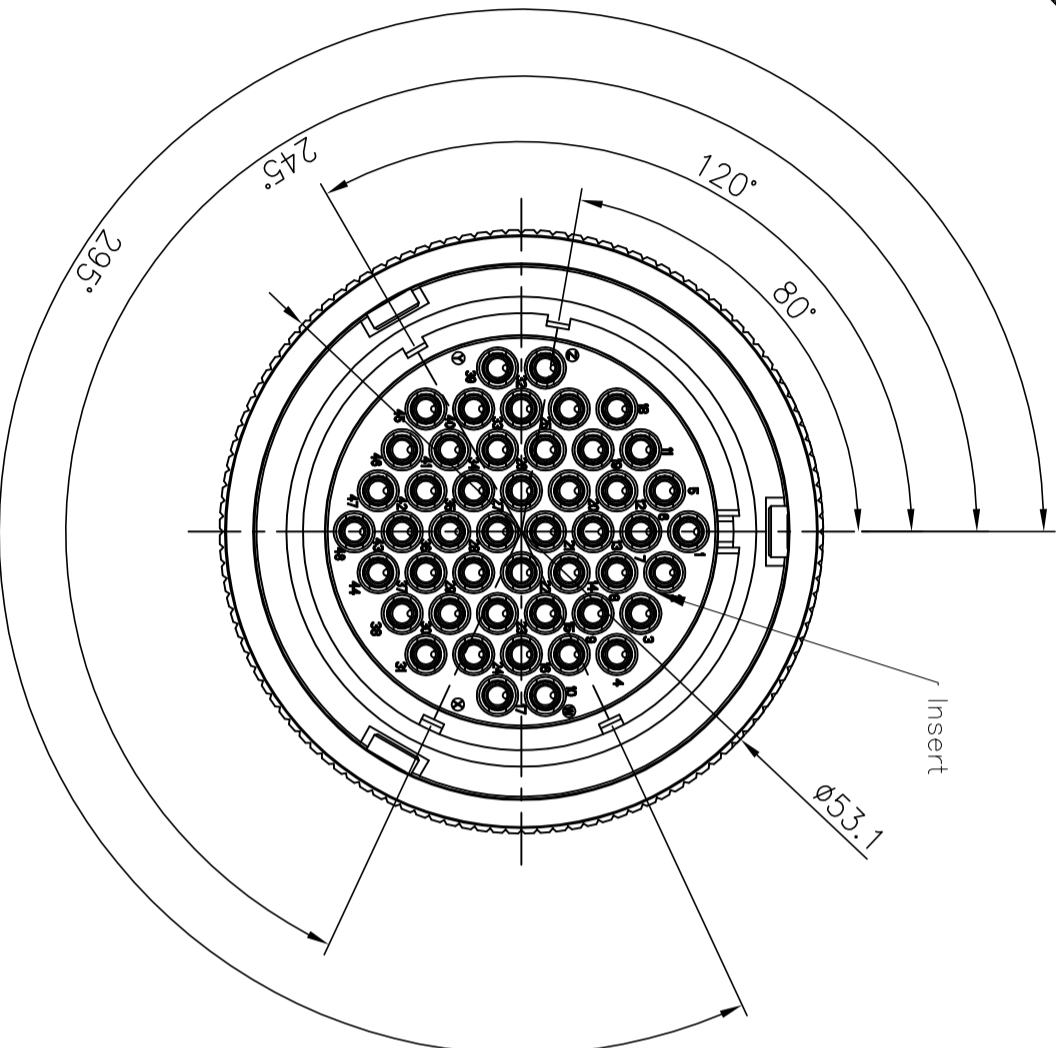


REV	ECN	DESCRIPTION	DATE	MODIFIED
1		PRE-RELEASE	2018.09.06	Wode Liu



**\*Notes/技术参数:**

Material材料 \ Finish表面处理  
 Shells 外壳: Aluminum alloy / Nickel Plate 铝合金/表面镀镍  
 Insert/芯: Thermoplastics EN45545 热塑料  
 Contact/插针: 48x #16 socket contacts(单独购买)(WIRE OD Ø1.5~3.0)  
 Copper alloy铜合金 Gold flash 镀金 / Crimp type压接形式

**Mechanical data机械参数**

Operating Temperature温度范围: -55°C ~ +125°C  
 Durability机械寿命: 500 cycles

**Electrical data电气参数:**

Rated Voltage 额定电压: 300V AC  
 Rated current 额定电流: 13A (#16contacts)  
 Withstanding Voltage耐电压: 2000V AC  
 Insulation Resistance: 5000 MΩ Min  
 Contact Resistance: Less than 2.5 mΩ

DIMENSIONS	TOLERANCES	PROJECTION	Amphenol Pcd Shenzhen		TITLE	
ANSI Y14.5M UNITS: MM CAD FILE	X .XX ANGLES ± 0.5 ±0.30 ±0.5°		CHKD	ENGR	SIZE A3	DWG NO. ASVG06RRS2848SCWBALC
ORIGINAL NOT FOR CUSTOMER DISTRIBUTION	THIS DOCUMENT CONTAINS PROPRIETARY INFORMATION WHICH IS THE CONFIDENTIAL PROPERTY OF AMPHENOL PCD SHENZHEN		APPD		SCALE 3:2	REV 1
					SHEET 1 OF 1	

连接器插头28-48  
48-#16.W键位