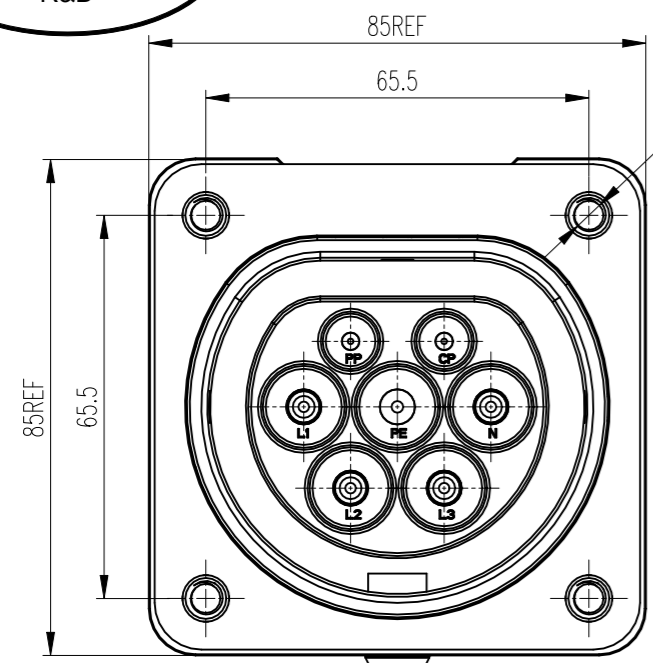
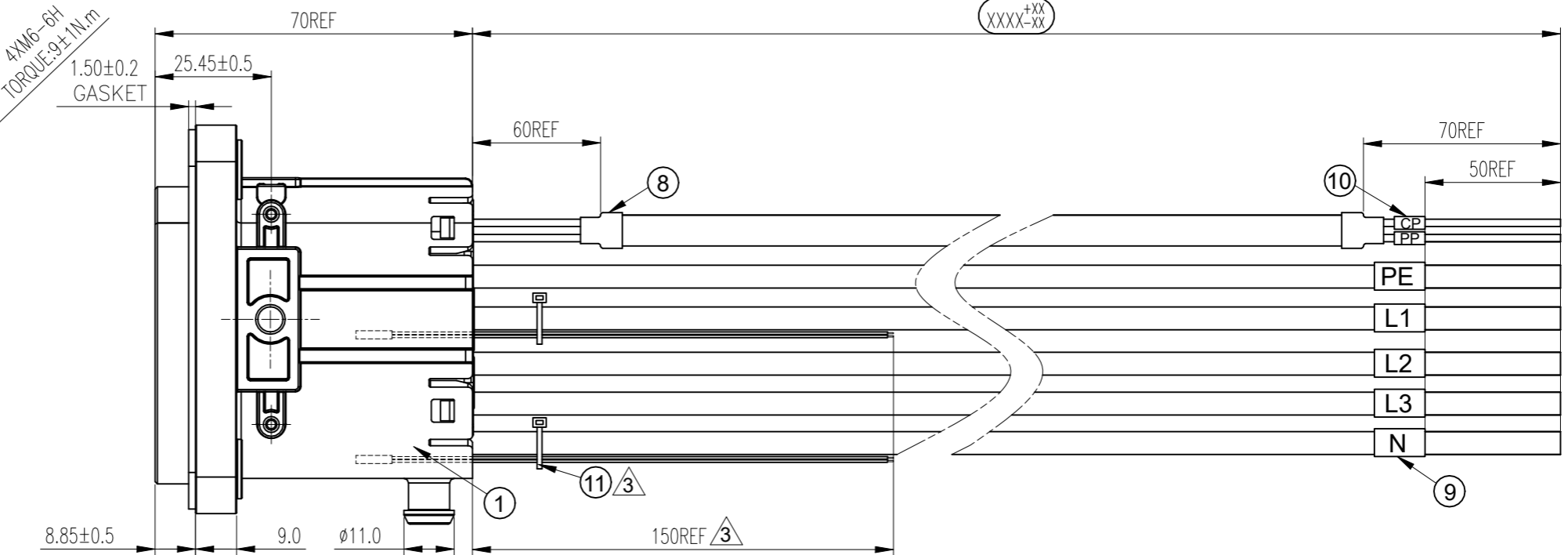


REV	ECN	DESCRIPTION	DATE	MODIFIED
1		PRE-RELEASE	Dec-05-2021	
2	R7060N	CHANGED CABLE TO TINNED P/N	Jun-05-2023	
3	R7657N	ADD CABLE TIES	Jan-25-2024	

ORIGINAL
PDF Format
R&D

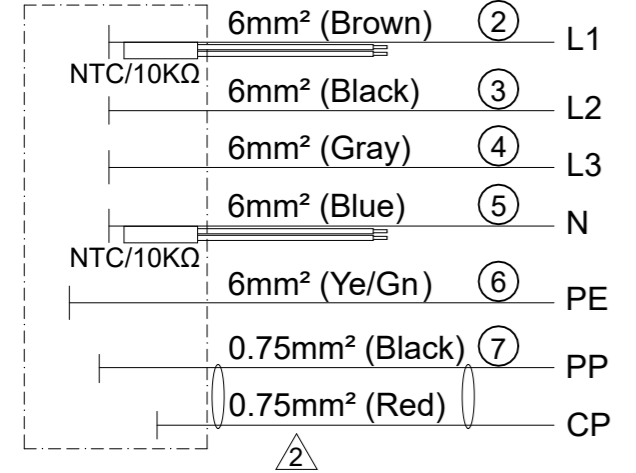


IEC VEHICLE INLET

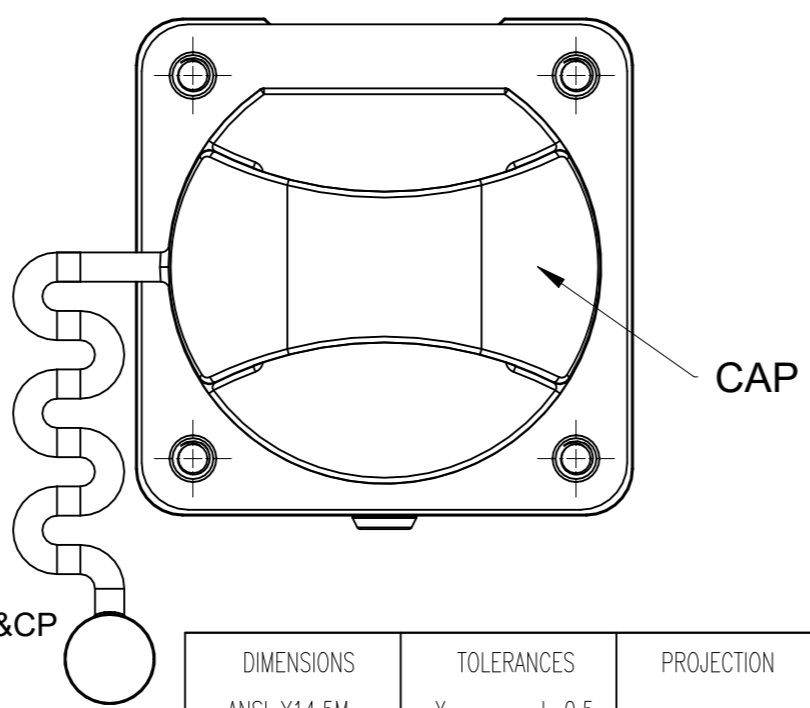


HVCOIFR6SF706NTL XXXX

CABLE CONNECTING METHOD



LENGTH	TOLERANCE
0~1000mm	+25 -10
1001~5000mm	+40 -10
>5000mm	+50 -20



- *Notes:
- Cable assembly data:
 - Rated Voltage: 480V AC (L1&L2&L3&N&PE); 30V DC (CP&PP);
 - Rated Current: 32A (L1&L2&L3&N); 2A (CP&PP);
 - IP-Class: IP44 (mated), IP55 (with CAP)
 - Insulation Resistance: 100MΩ Min/500V DC
 - Withstand Voltage: 2000V r.m.s / L1&L2&L3&N&PE; 500V r.m.s / PP&CP
 - Durability: >10000 cycles
 - RoHS Compliance
 - Ambient Temperature: -30°C ~ +50°C
 - Reference: IEC 62196-2, CE, UKCA marking
 - Connector Reference: C-HVCOIFR6SF706NTL0000
 - The cable should be fixed at 100mm max from the rear of connector
 - Add cable ties to fix sensor wires, to avoid pulling out
 - Cable Minimum Bending Radius: ≥5OD

ITEM	P/N	DESCRIPTION	QTY	UNIT
⑪	C210003609	CABLE TIE BLACK	2	EA
⑩	C210006837	H.S.T: Ø3.2 WHITE LABEL	0.04	m
⑨	P05B000006	H.S.T: Ø6.0 WHITE LABEL	0.10	m
⑧	C210006440	DOUBLE-WALL H.S.T: Ø8.0 BLACK	0.06	m
⑦	P01BC00029	2C*0.75mm² SHIELDING ORANGE OD=6.7±0.2 RED/BLACK	AR	m
⑥	C210030042	6mm² UNSHIELDING YELLOW/GREEN, XLPE, OD=5.1±0.2	AR	m
⑤	P01BC00200	6mm² TINNED UNSHIELDING BLUE, XLPE, OD=5.1±0.2	AR	m
④	P01BC00201	6mm² TINNED UNSHIELDING GRAY, XLPE, OD=5.1±0.2	AR	m
③	P01BC00202	6mm² TINNED UNSHIELDING BLACK, XLPE, OD=5.1±0.2	AR	m
②	P01BC00199	6mm² TINNED UNSHIELDING BROWN, XLPE, OD=5.1±0.2	AR	m
①	HVCOIFR6SF706NTL	IEC INLET: HVCOIFR6SF706NTL0000 AC 32A/3P, NTC/10KΩ	1	EA

DIMENSIONS	TOLERANCES	PROJECTION	TITLE		
ANSI Y14.5M UNITS: MM CAD FILE	.X ± 0.5 .XX ± 0.05 ANGLES ± 2.0°		Amphenol PCD Shenzhen		
ORIGINAL	THIS DOCUMENT CONTAINS PROPRIETARY INFORMATION WHICH IS THE CONFIDENTIAL PROPERTY OF Amphenol PCD Shenzhen Co. Ltd RESERVES THE RIGHT TO CLARIFY THIS DRAWING		ENGR	Jun-05-2023	
			CHKD	SIZE A3	DWG NO. C-HVCOIFR6SF706NTLXXXX
			SCALE 1:1	SHEET 1 OF 1	