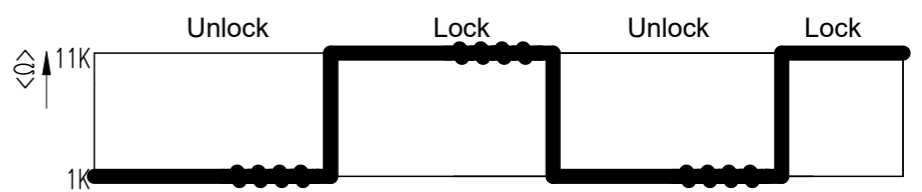
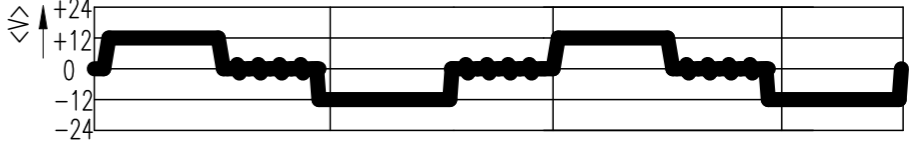
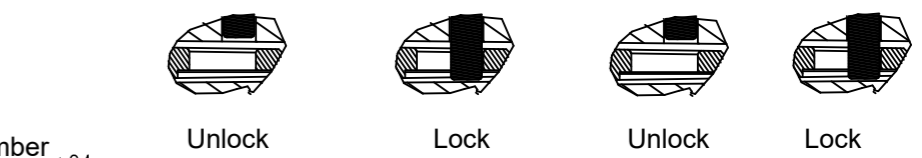
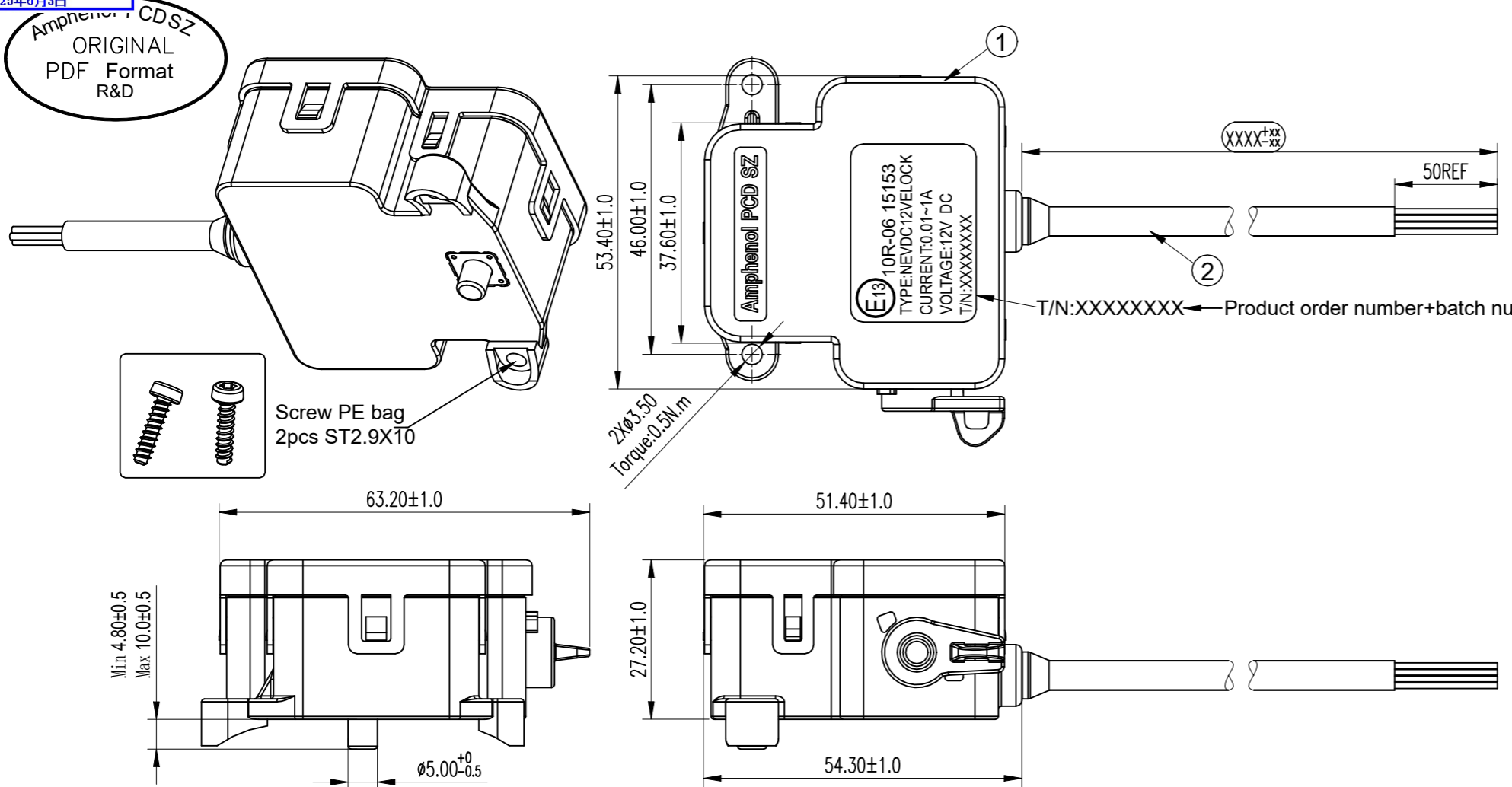


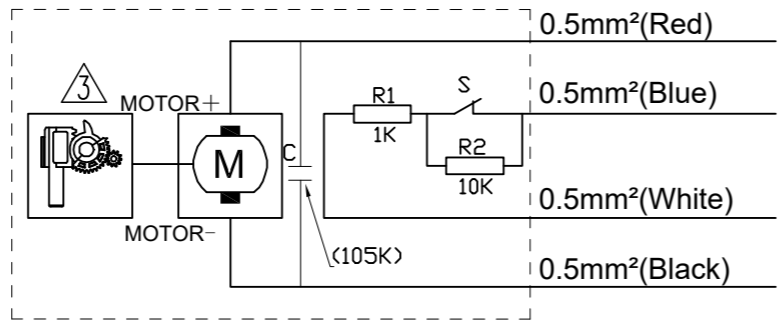
REV	ECN	DESCRIPTION	DATE	MODIFIED
1		RELEASE	2019.06.10	
2	R5583W	UPDATED NOTES 2.ADD E13 LOGO	2022.04.03	
3	C09085	UPDATED NOTES	May-15-2025	



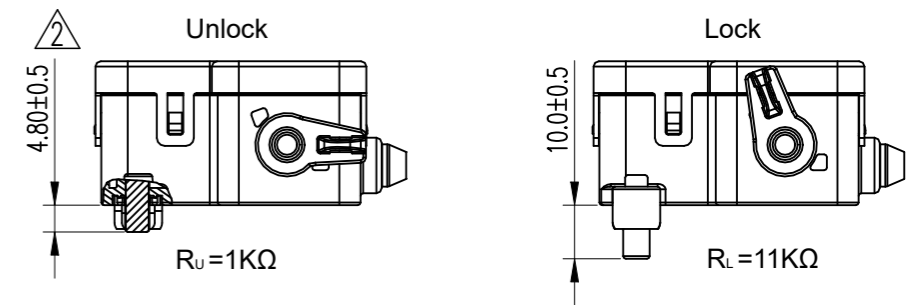
● Suggested Work time: > 3000ms  
Max time: N/A  
Min time: 400ms

— Suggested adjustment time: 600ms  
Max time: 1000ms  
Min time: 450ms

DC 12V E-LOCK WIRING DIAGRAM



TYPE	RED	BLACK	WHITE	BLUE
UNLOCKING	POWER+	POWER-	SIGNAL (R <sub>U</sub> = 1KΩ)	
LOCKING	POWER-	POWER+	SIGNAL (R <sub>L</sub> = 11KΩ)	



- Notes:**  
 Contact switch is normally open  
 Unlock: 1KΩ  
 Lock: 11KΩ  
 1. Voltage supply at motor: 12V  
 2. Motor rated voltage: 9V to 12V  
 3. Typical motor current for locking: 200mA  
 4. Maximal motor current for locking: 1000mA  
 5. Maximal voltage for locking detection: 20V  
 6. Maximal dwell period with blocking current: 1000ms  
 7. Suggested adjustment time: 600ms  
 8. Durability (in load cycles): >40000  
 9. Ambient temperature (in operation): -40°C to +85°C  
 10. Ambient temperature (storage): -40°C to +85°C  
 11. IP-Class: IP65  
 12. RoHS Compliance  
 13. Cable minimum bending radius: ≥5\*OD  
 14. NEVDC12VELOCKL XXXX

LENGTH	TOLERANCE
0~1000mm	+25 -10
1001~5000mm	+40 -10
>5000mm	+50 -20

DIMENSIONS	TOLERANCES	PROJECTION
ANSI Y14.5M	.X ± 0.5	
UNITS: MM	.XX ± 0.05	
CAD FILE	ANGLES ± 2.0°	

ORIGINAL

THIS DOCUMENT CONTAINS PROPRIETARY INFORMATION WHICH IS THE CONFIDENTIAL PROPERTY OF Amphenol PCD Shenzhen Co. Ltd. Amphenol PCD Shenzhen Co. Ltd RESERVES THE RIGHT TO CLARIFY THIS DRAWING

②	P01BC00054	CABLE UL21405 4C*0.5mm² XLPE OD=5.0 BLACK	AR	m
①	NEVDC12VELOCKL0000Z	DC 12V E-LOCK: NEVDC12VELOCKL0000Z	1	EA
ITEM	NAME	DESCRIPTION	QTY	UNIT

Amphenol PCD Shenzhen		TITLE		
ENGR		DC 12V E-LOCK CABLE ASSEMBLY		
2019.06.10		SIZE	DWG NO.	REV
CHKD		A3	C-NEVDC12VELOCKLXXXX	3
APPD		SCALE	N/A	SHEET 1 OF 1

C-NEVDC12VELOCKLXXXX

C-NEVDC12VELOCKLXXXX