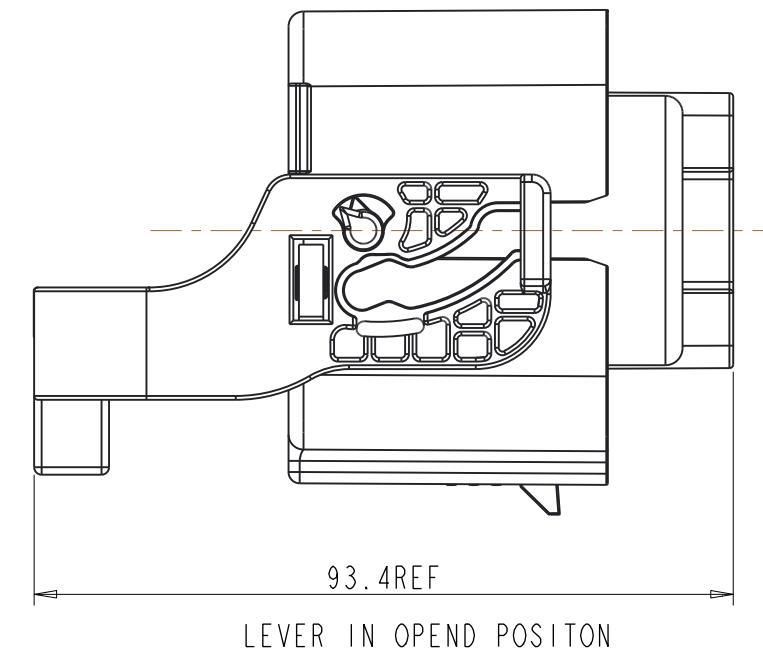
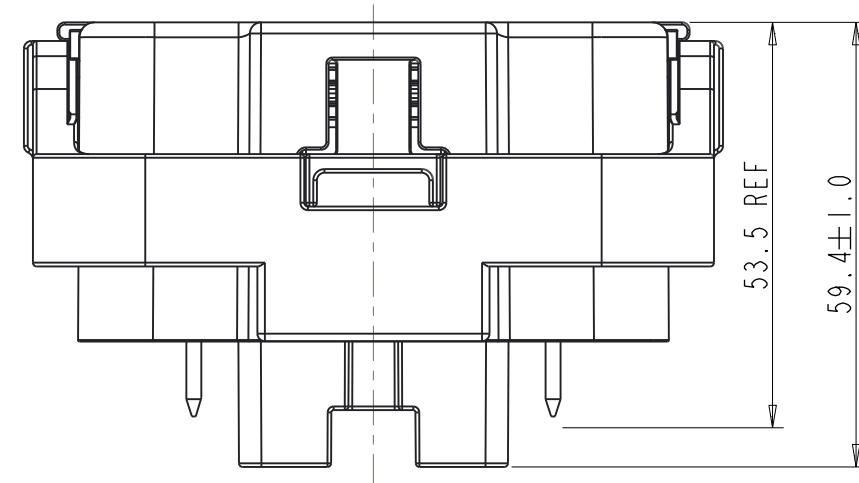
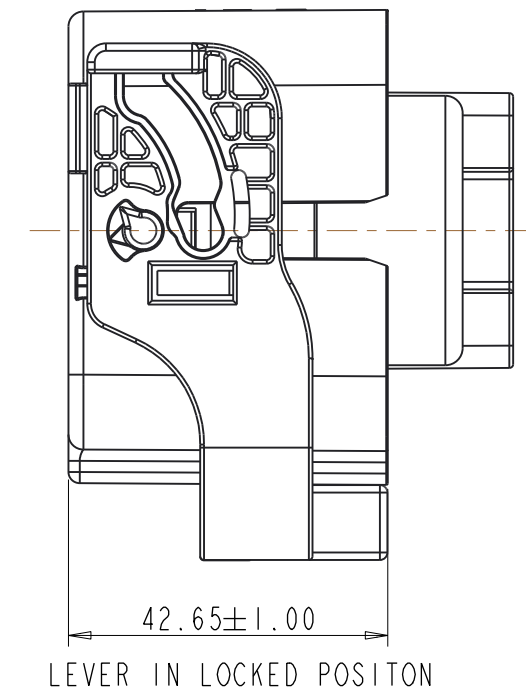
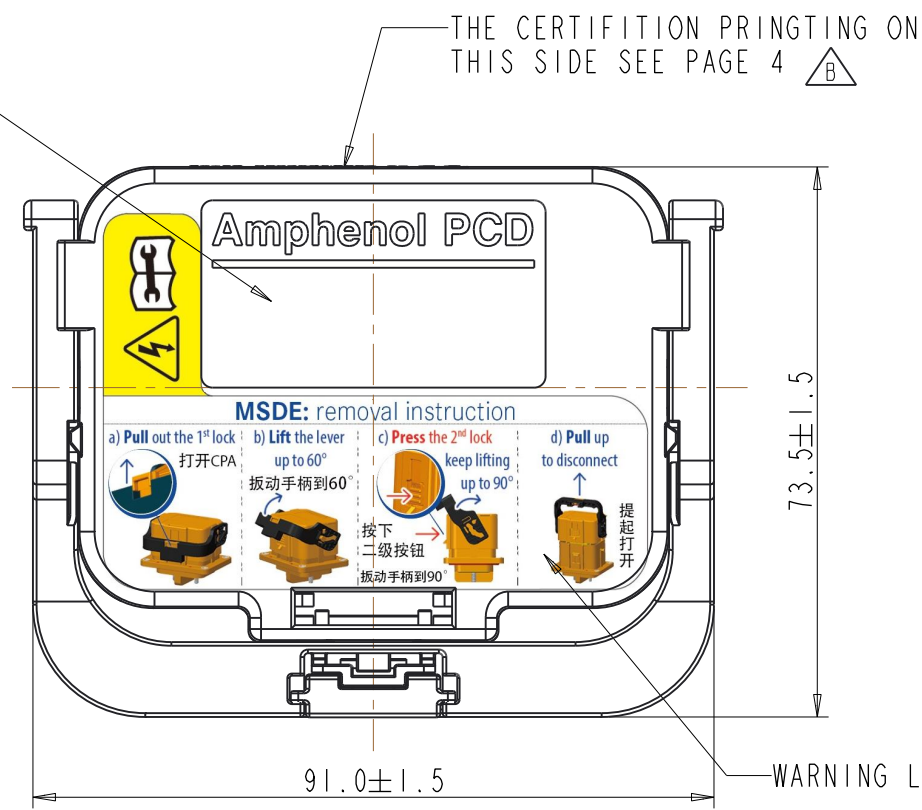


Amphenol PCD SZ
ORIGINAL
PDF Format
R&D

WITH FUSED 带熔断器印字
TYPE:MSDEXXXX(FUSED)
FUSED VOLTAGE AND CURRENT:
DC 500V XXXA
T/N: XXXXXXXX YY.WW
生产批次号 表示年周:如24.16

WITHOUT FUSED 不带熔断器印字
TYPE:MSDE0000(UNFUSED)
RATED VOLTAGE AND CURRENT:
DC 500V 350A
T/N: XXXXXXXX YY.WW
生产批次号 表示年周:如24.16

REV	ECN	DESCRIPTION	DATE	MODIFIED
1		PRE- RELEASE	2024.04.29	Scott
2	R8162N	UPDATED DRAWING	2024.07.02	Clorise
A	C8162	RELEASE	2024.11.05	Clorise
B	R8714W	ADD"UL""CE" PRINTING	2024.12.27	Clorise
C	C10172	CORRECTING DRAWING ERRORS	2026.04.11	Scott



NOTICE:

- THIS STYLE MAINTENANCE SWITCH WITH FUSED IS ONLY SUITABLE FOR ENERGY STORAGE SYSTEMS AND IS NOT SUITABLE FOR USE ON NEW ENERGY VEHICLES
- WHEN USING, THE RATED CURRENT/VOLTAGE SHALL BE BASED ON THE RATED CURRENT/VOLTAGE PRINTED ON THE PLUG OR THE TEMPERATURE RISE CURVE REPORT PROVIDED BY PCD
- IT IS RECOMMENDED TO ORDER CERTIFIED PLUGS AND CERTIFIED SOCKETS IN PAIRS

1.MODEL SELECTION SPECIFICATION:MSDEF0000 (350A NO FUSE)
2.MODEL SELECTION SPECIFICATION:MSDEXXXX(FUSE)

- 1-FUSE MANUFACTURER BUSSMANN
- 2-FUSE MANUFACTURER SINOFUSE
- 160 --- 160A
- 200 --- 200A
- 250 --- 250A
- 300 --- 300A(ONLY BUSSMANN)
- 315 --- 315A(ONLY SINOFUSE)
- 350 --- 350A
- 400 --- 400A
- 450 --- 450A
- 500 --- 500A("UL""CE"CERTIFICATION)
- 550 --- 550A
- 630 --- 630A"UL""CE"CERTIFICATION)
- 700 --- 700A(ONLY BUSSMANN)

NOTES:

1	OPERATING TEMPERATURE	-40°C~+125°C	
2	AMBIENT TEMPERATURE	-40°C~+70°C	
3	DIELECTRIC WITHSTANDING VOLTAGE	3000V AC	+
4	INSULATION RESISTANCE	100MΩ .MIN.	+
5	DURABILITY	50 CYCLES	◎
6	WATERPROOF(MATED CONDITION)	IP67, IP6K9K	+
7	NEGATIVE PRESSURE TEST	48Kpa	
8	SIGNAL VOLTAGE/CURRENT	30V/2A	

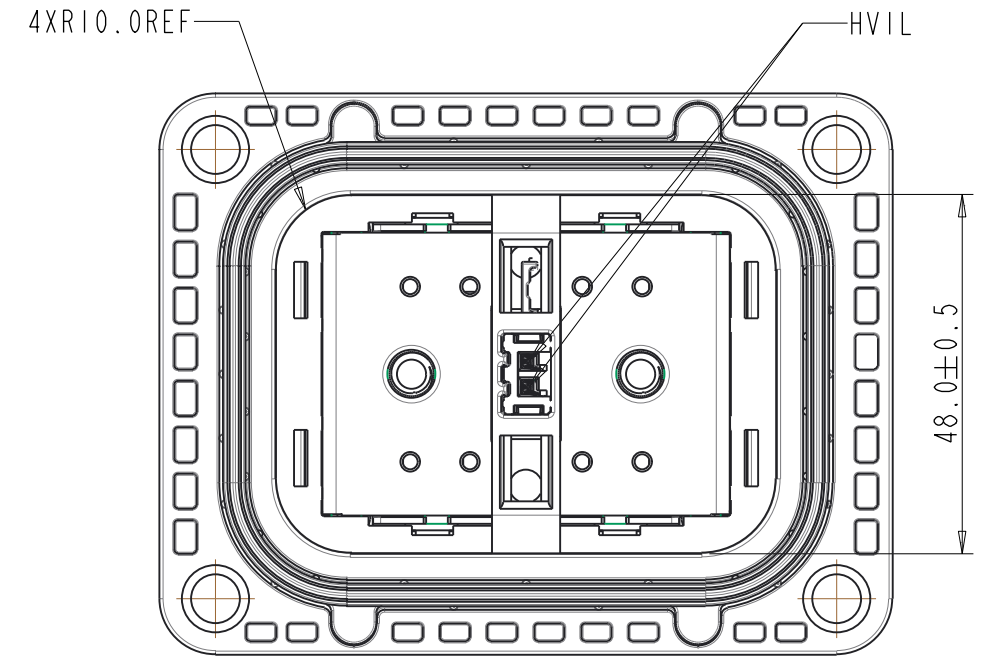
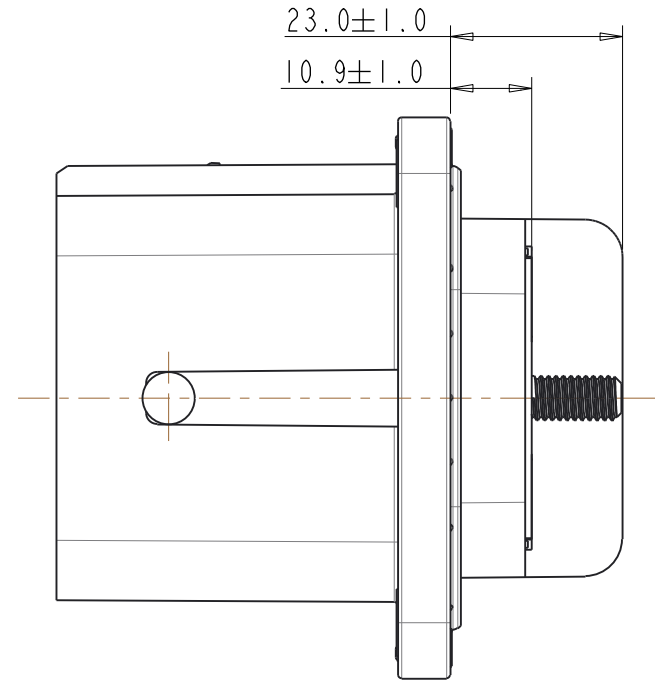
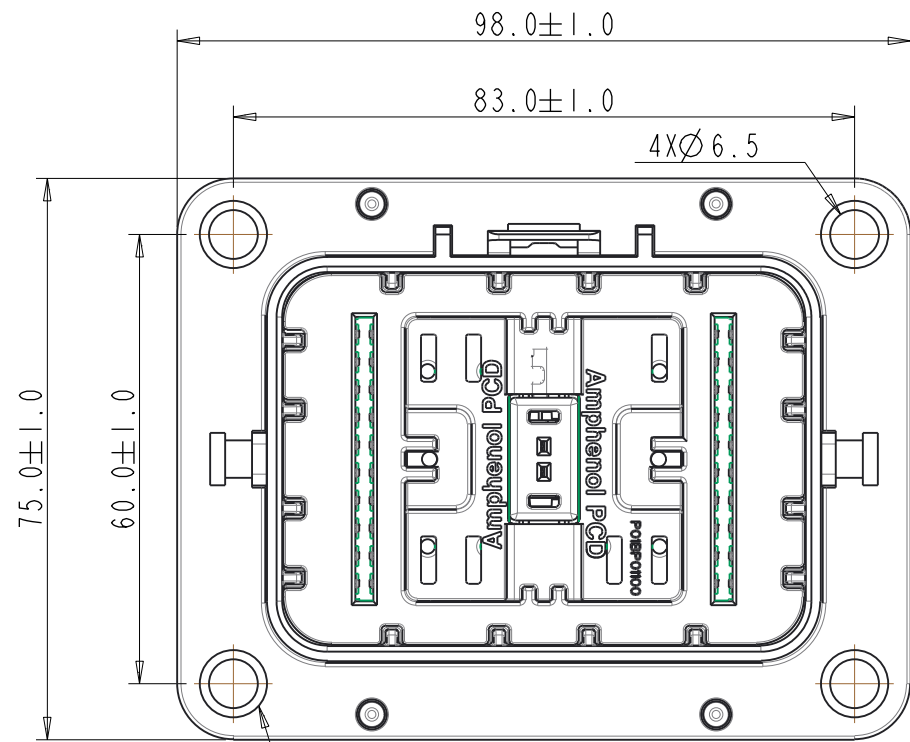
DIMENSIONS	TOLERANCES	PROJECTION	TITLE	
ANSI Y14.5M	.X ±0.5		Amphenol PCD Shenzhen	
UNITS: MM	.XX ±0.05		MSDE	
Pro/E FILE	ANGLES ±2°	ENGR	Scott	2024.04.29
ORIGINAL	THIS DOCUMENT CONTAINS PROPRIETARY INFORMATION WHICH IS THE CONFIDENTIAL PROPERTY OF Amphenol PCD Shenzhen Co. Ltd Amphenol PCD Shenzhen Co. Ltd RESERVES THE RIGHT TO CLARIFY THIS DRAWING		CHKD	Scott
			APPD	Scott
			SIZE	DWG NO.
			A3	C-MSDEXXXX
			SCALE: 1:1	SHEET 1 OF 4

C-MSDEXXXX

C-MSDEXXXX

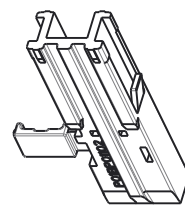
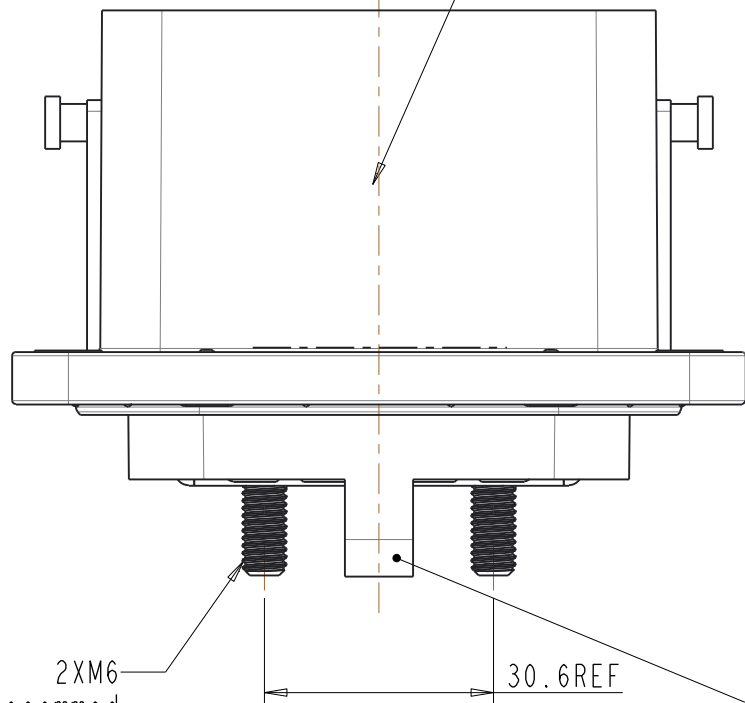
C-MSDEXXXX

- ✦ IT IS RECOMMENDED TO ORDER CERTIFIED PLUGS AND CERTIFIED SOCKETS IN PAIRS
- ✦ THE MAXIMUM CURRENT OF THE SOCKET CAN REACH 350, BUT THE FINAL RATED CURRENT IS DETERMINED BY THE MATING PLUG

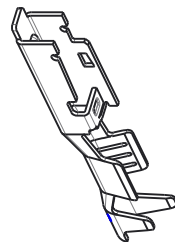


4XM6
Recomm
Torque=6.0±0.5N.m

PRINTING SEE THE PAGE 4 ^B

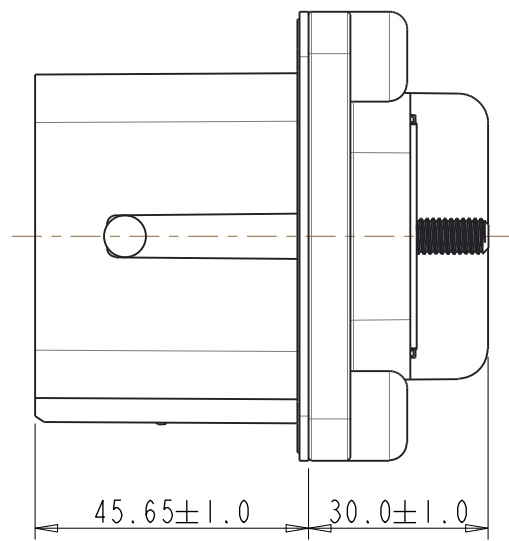
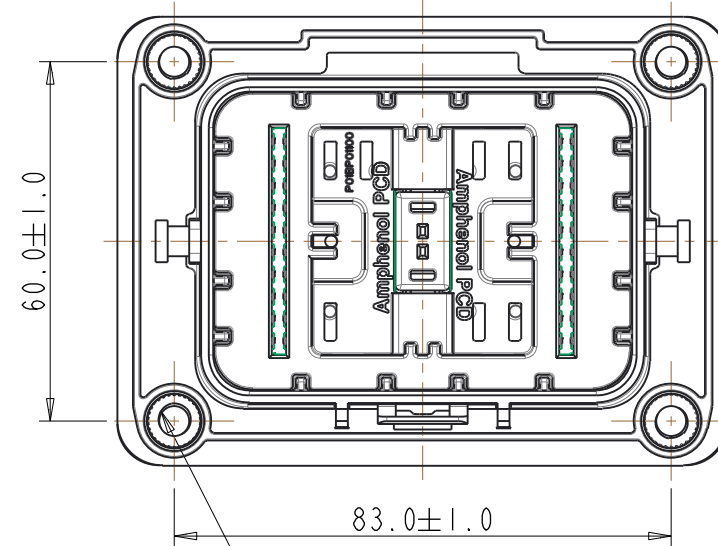


SMALL SHELL P/N:P01BP01102 1PCS
(PROVIDED BY Amphenol)



HVIL FEMALE P/N:C310003614S 2PCS
(CUSTOMERS ORDERS INDIVIDUALLY)

SOCKET REAR MOUNTED



4XM6
Recomm
Torque=6.0±0.5N.m

RECOMMENDED SOCKET ORDER COMBINATION:

- P/N:P.03.B.MSDEF00F+P.03.B.C310003614S ²
- P/N:P.03.B.MSDEF00R+P.03.B.C310003614S
- P/N:P.03.B.MSDEF00FN+P.03.B.C310003614S ^B
- P/N:P.03.B.MSDEF00RN+P.03.B.C310003614S ^B

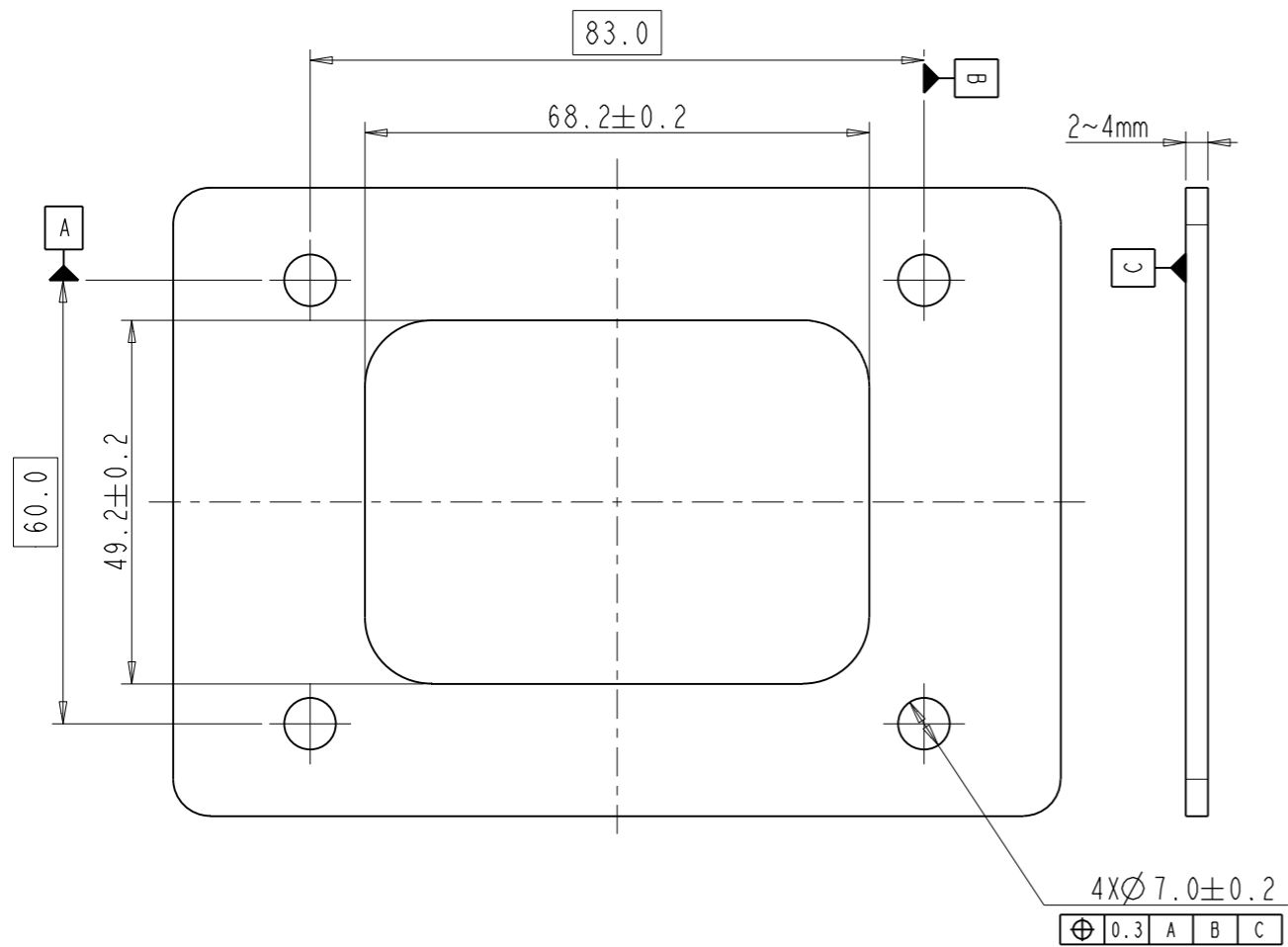
ITEM	DESCRIPTION	ORDER P/N	RATED CURRENT
1	SOCKET FRONT MOUNTED	MSDEF00F	"CE"220A,"UL"190A
2	SOCKET REAR MOUNTED	MSDEF00R	"CE"220A,"UL"190A
3	SOCKET FRONT MOUNTED	MSDEF00FN	350A NO CERTIFICATION
4	SOCKET REAR MOUNTED	MSDEF00RN	350A NO CERTIFICATION

SIZE A3	DWG NO. C-MSDEXXXX	REV C
SCALE: 1:1		SHEET 2 OF 4

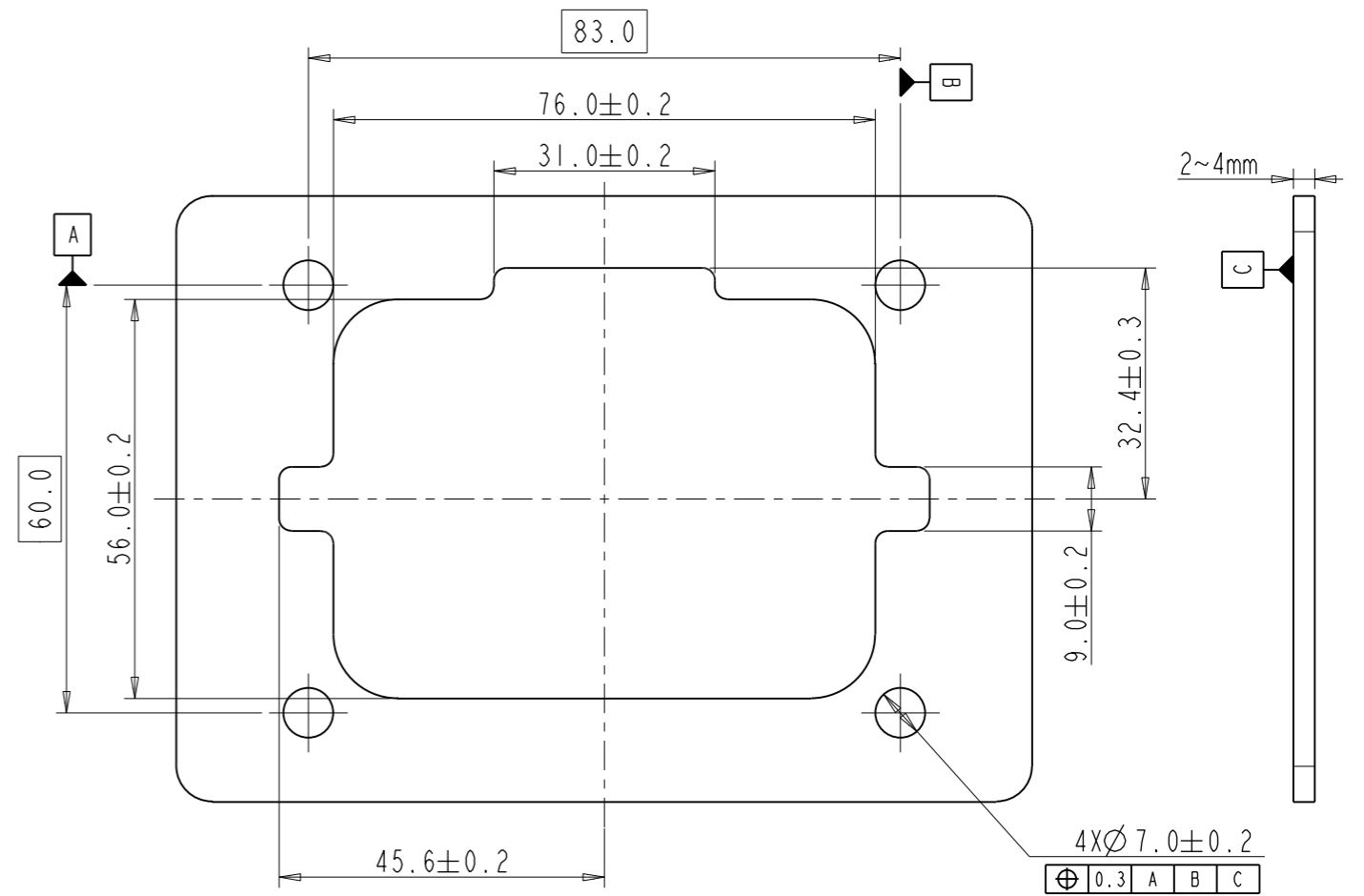
C-MSDEXXXX

C-MSDEXXXX

RECOMMENDED MOUNTING PLATE DIMENSIONS
SOCKET FRONT MOUNTED



RECOMMENDED MOUNTING PLATE DIMENSIONS
SOCKET REAR MOUNTED



C-MSDEXXXX

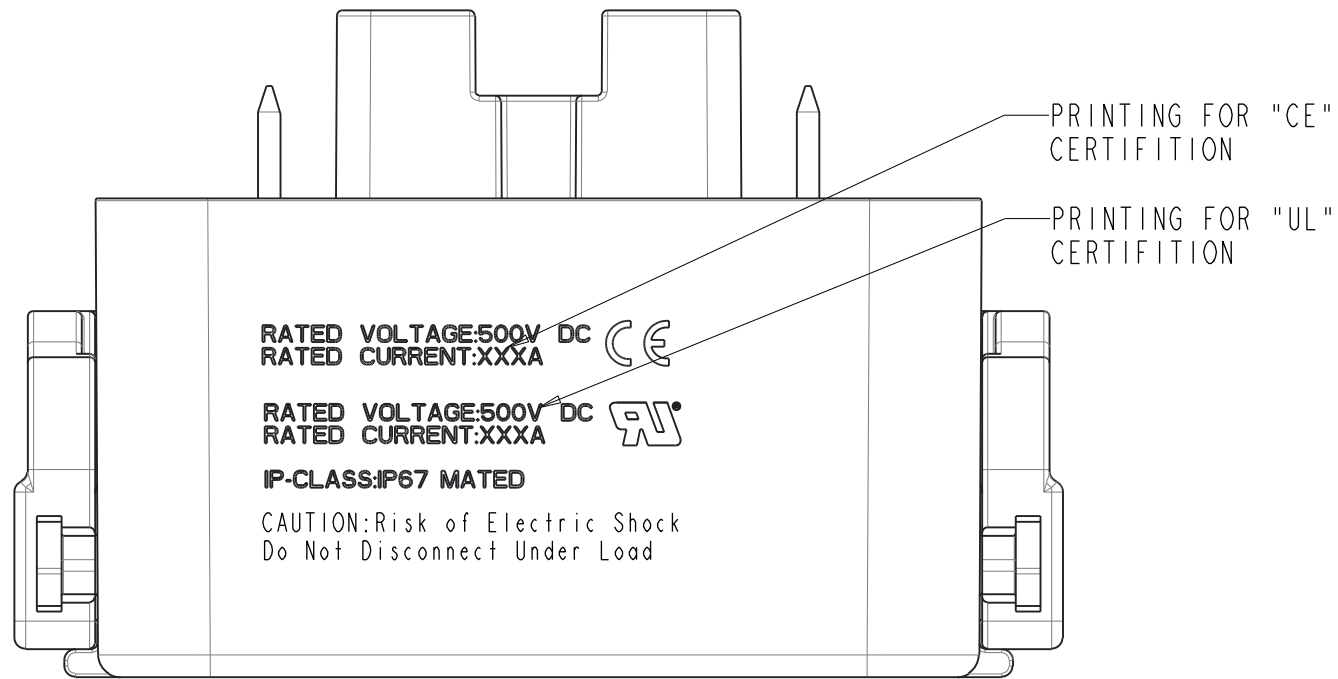
C-MSDEXXXX

SIZE A3	DWG NO. C-MSDEXXXX	REV C
SCALE: 1:1		SHEET 3 OF 4

B

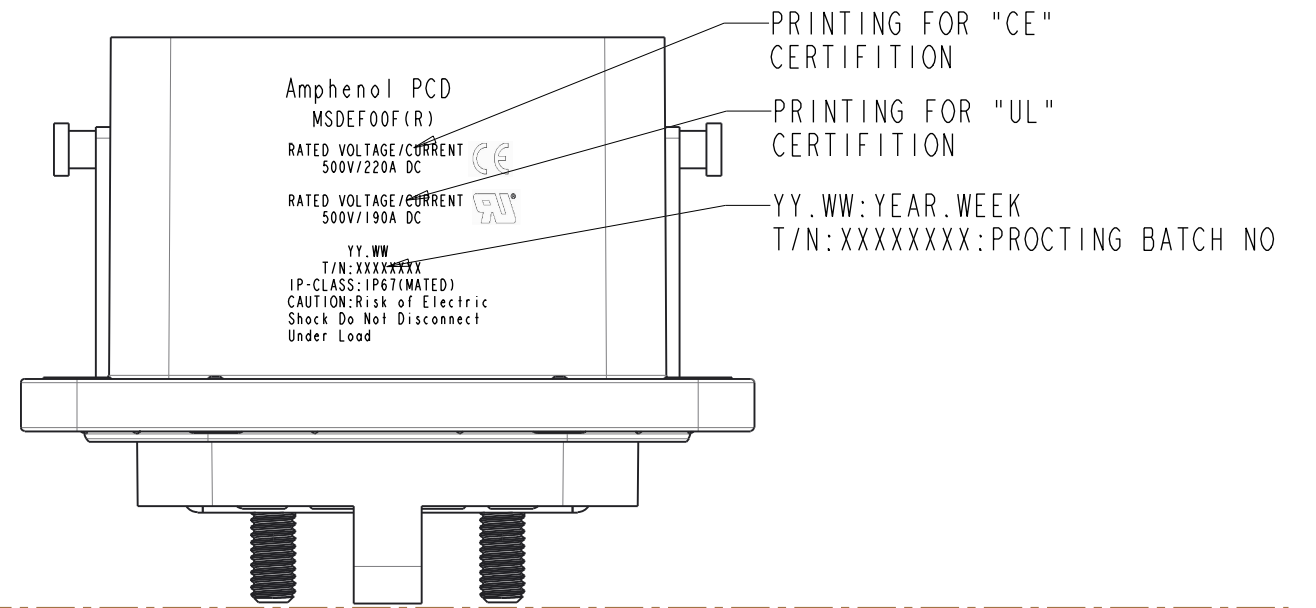
ONLY USED FOR "CE" "UL" CERTIFIED P/N

CE:
 MSDE5001/MSDE5002: RATED VOLTAGE 500V DC; RATED CURRENT: 200A
 MSDE6301/MSDE6302: RATED VOLTAGE 500V DC; RATED CURRENT: 220A
 UL:
 MSDE5001/MSDE5002: RATED VOLTAGE 500V DC; RATED CURRENT: 170A
 MSDE6301/MSDE6302: RATED VOLTAGE 500V DC; RATED CURRENT: 190A

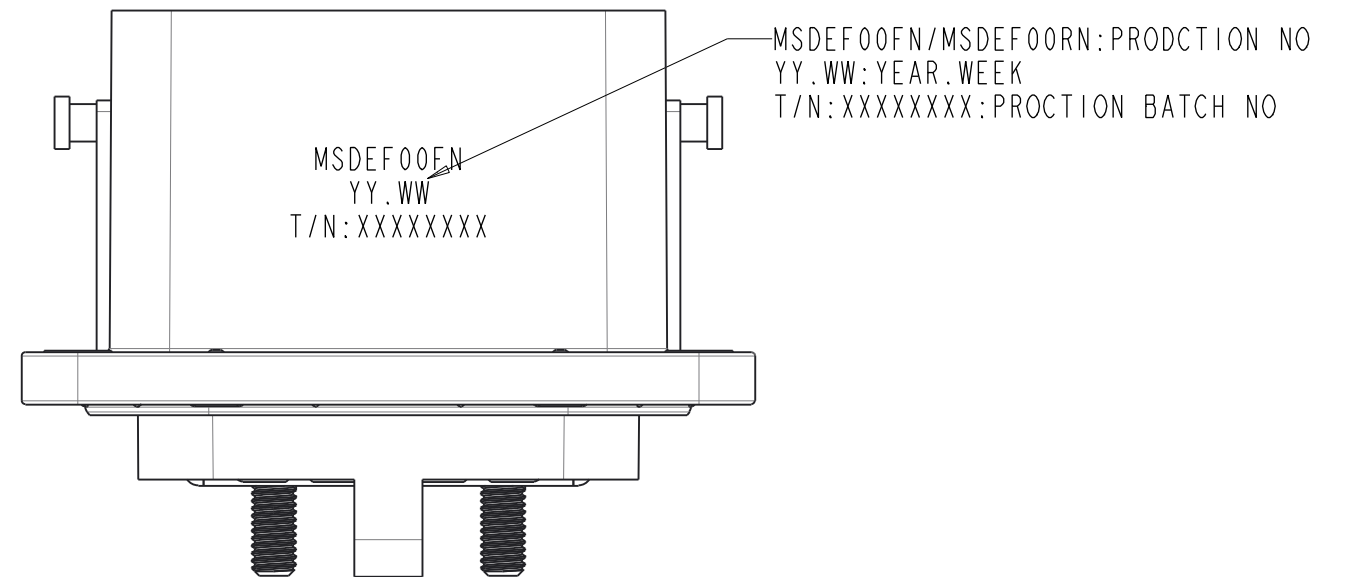


ONLY USED FOR "CE" "UL" CERTIFIED P/N

CE:
 MSDEF00F/MSDEF00R: RATED VOLTAGE/CURRENT 500V / 220A DC
 UL:
 MSDEF00F/MSDEF00R: RATED VOLTAGE/CURRENT 500V / 190A DC



PRINTING2: ONLY FOR MSDEF00FN/MSDEF00RN; NO CERTIFICATION



C-MSDEXXXX

C-MSDEXXXX

SIZE A3	DWG NO. C-MSDEXXXX	REV C
SCALE: 1:1		SHEET 4 OF 4