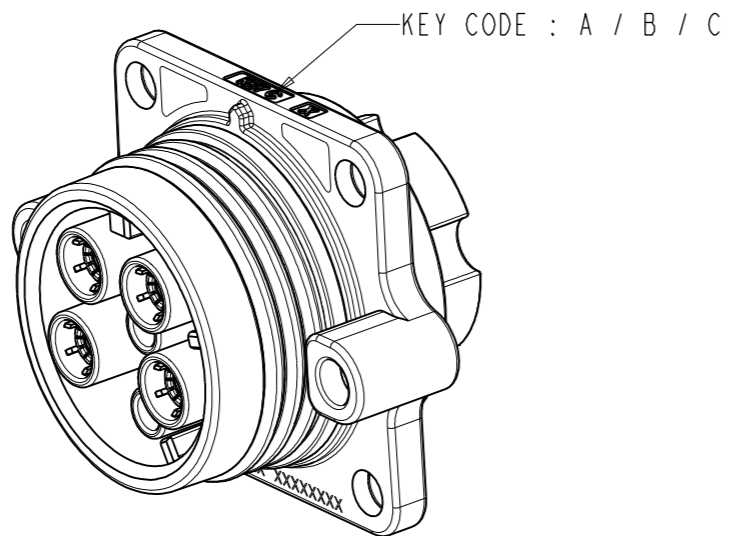
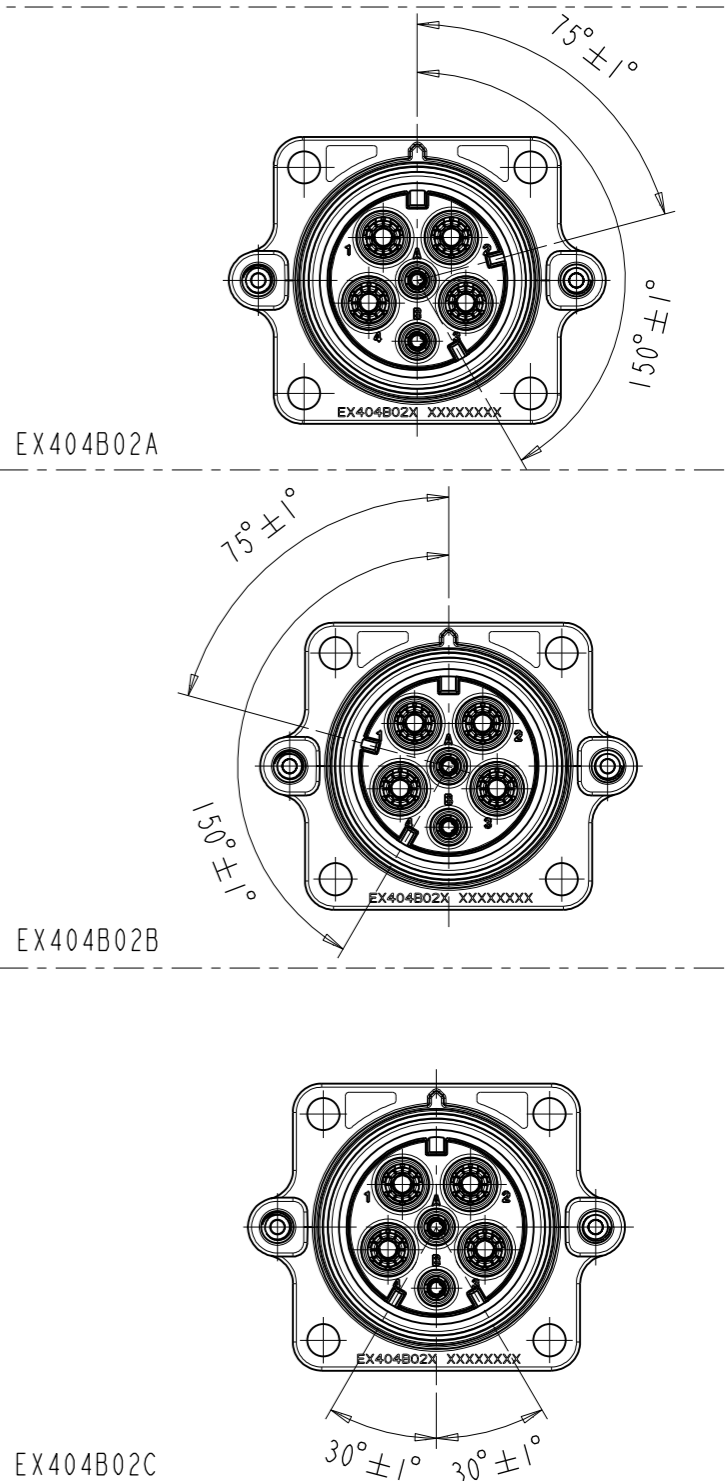
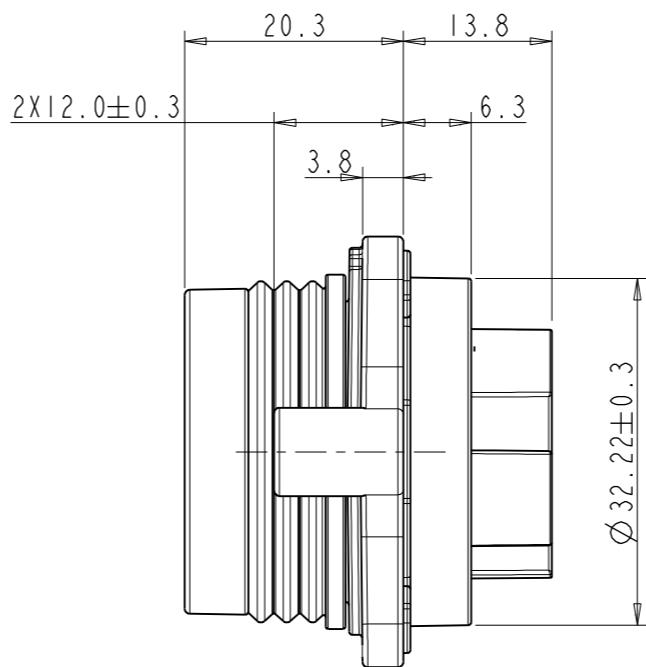
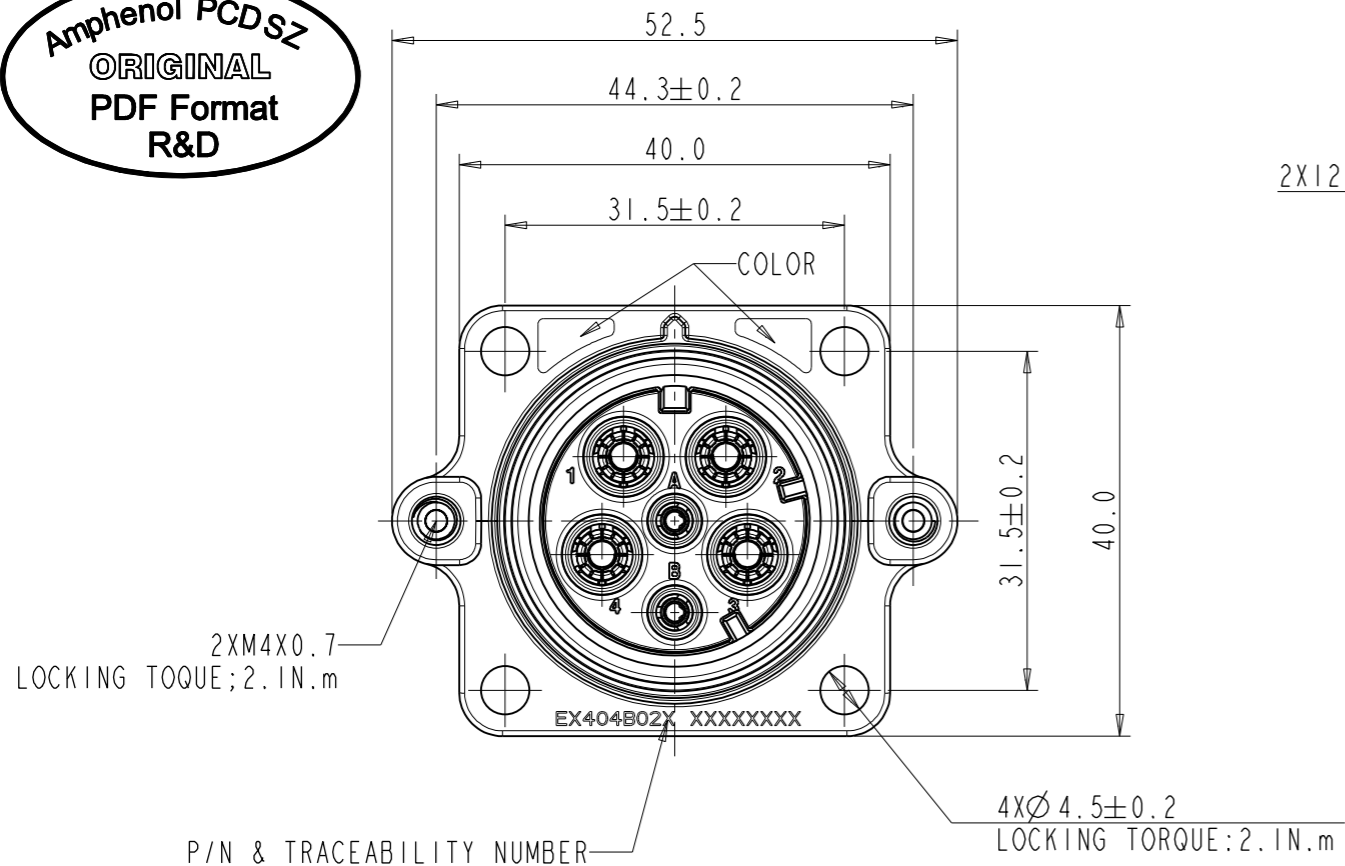


C-EX404B02X

REV	ECN	DESCRIPTION	DATE	MODIFIED
1		PRE- RELEASE	Dec-23-2022	

Amphenol PCD SZ  
ORIGINAL  
PDF Format  
R&D



安费诺精密连接器(深圳)有限公司  
Amphenol PCD Shenzhen  
受控文件  
2023年1月5日

I. HOW TO ORDER

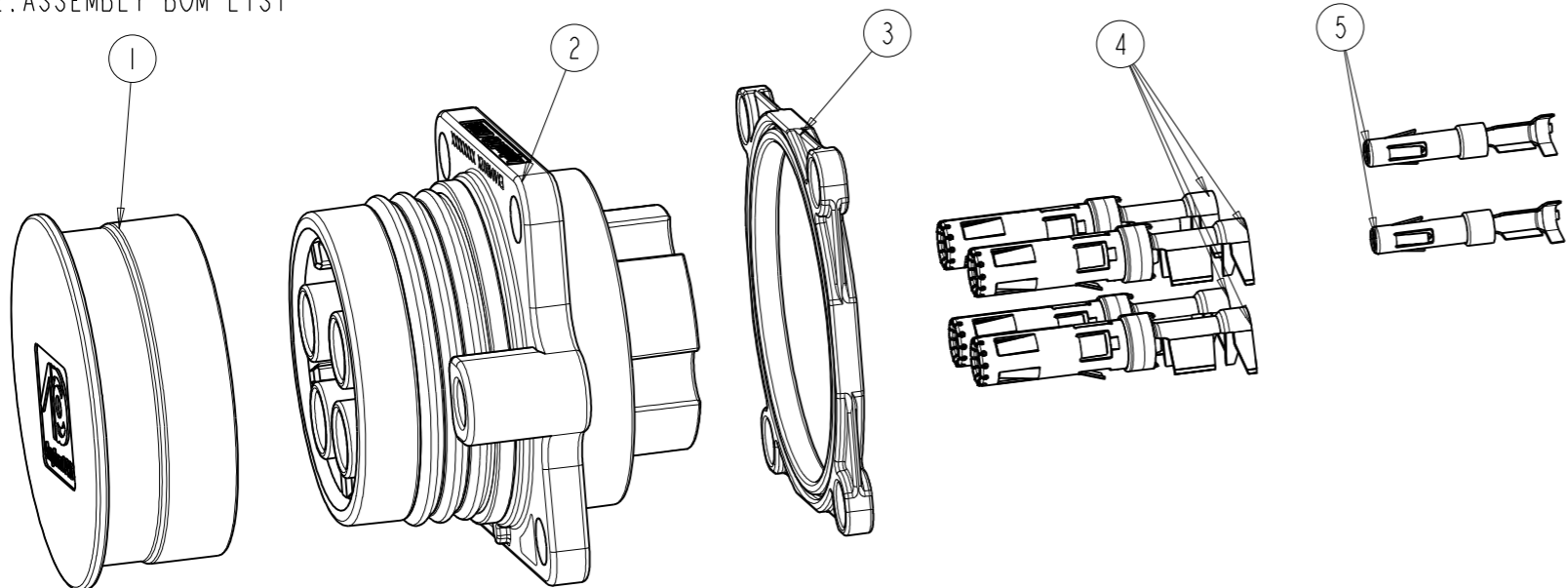
EX404B 02 X  
4+2 PIN  
RECEPTACLE

KEY & COLOR ORDER:  
A : KEY A & RED  
B : KEY B & BLACK  
C : KEY C & YELLOW

+ CRITICAL CHARACTERISTICS 关键特性  
◎ IMPORTANT CHARACTERISTICS 重要特性

DIMENSIONS	TOLERANCES	PROJECTION	TITLE	
ANSI Y14.5M UNITS: MM Pro/E FILE	.X ±0.5 .XX ±0.05 ANGLES ±2°		RECEPTACLE 4+2	
ORIGINAL	THIS DOCUMENT CONTAINS PROPRIETARY INFORMATION WHICH IS THE CONFIDENTIAL PROPERTY OF Amphenol PCD Shenzhen Co. Ltd Amphenol PCD Shenzhen Co. Ltd RESERVES THE RIGHT TO CLARIFY THIS DRAWING	ENGR	Dec-23-2022	
		CHKD	SIZE A3	DWG NO. C-EX404B02X
		APPD	SCALE: 3:2	REV 1
			SHEET 1 OF 2	

2. ASSEMBLY BOM LIST



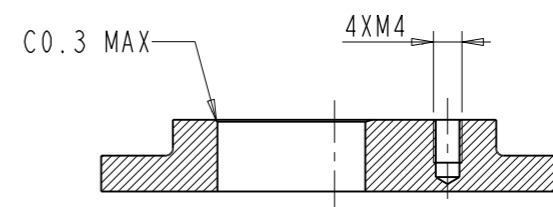
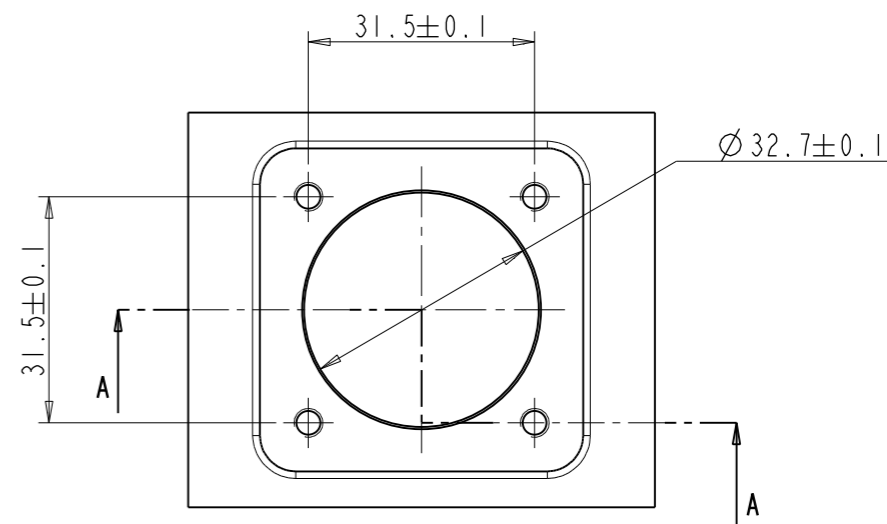
5	EX16F1	HVIL CONTACT, 0.5~0.75MM <sup>2</sup> CABLE NEED TO BUY SEPARATELY	2
4	EX30F4	POWER CONTACT, 2.5~4MM <sup>2</sup> CABLE NEED TO BUY SEPARATELY	4
3	P01BR00557	SEAL	1
2	P02B00031103	SHELL, KEY C, YELLOW	1
	P02B00031102	SHELL, KEY B, BLACK	1
	P02B00031101	SHELL, KEY A, RED	1
1	P01BP00765	PROTECTIVE CAP	1
ITEM	P/N	DESCRIPTION	Q'TY

安费诺精密连接器(深圳)有限公司  
Amphenol PCD Shenzhen  
受控文件  
2023年1月5日

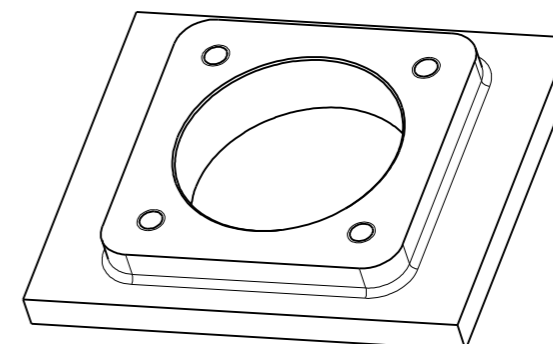
3. TECHNICAL DATA

TECHNICAL DATA		
CURRENT RATE (2.5MM <sup>2</sup> SHIELD CABLE)	23A @ AMBIENT 70	+
CURRENT RATE (4MM <sup>2</sup> SHIELD CABLE)	32A @ AMBIENT 70	+
RATING VOLTAGE (OVERVOLTAGE CATEGORY II POLLUTION DEGREE 2)	1000V DC	+
OPERATING TEMPERATURE	-40~125°C	
DIELECTRIC WITHSTANDING VOLTAGE	3000V AC(RMS)	+
INSULATION RESISTANCE	200MΩ MIN. @25	+
DURABILITY	50 CYCLES	☉
SHIELDING	YES	
WATERPROOF (MATED CONDITION)	IP68 & IP6K9K	+
PROTECTION LEVEL (UNMATED)	IP2XB	+
AMBIENT TEMPERATURE	-40~70°C	
RoHS & REACH	YES	+

4. PANEL SPECIFICATION



Section A-A



SIZE <b>A3</b>	DWG NO. <b>C-EX404B02X</b>	REV <b>1</b>
SCALE: 3:2		SHEET 2 OF 2