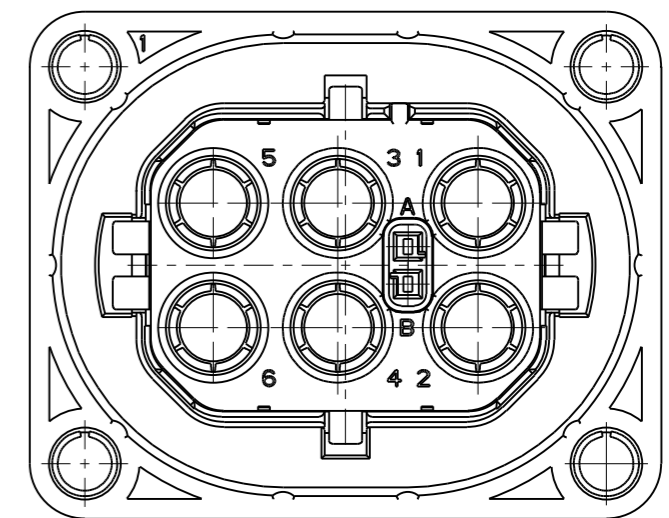
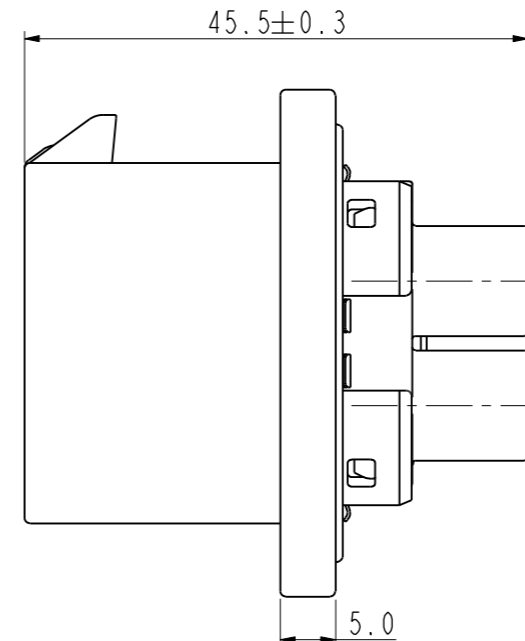
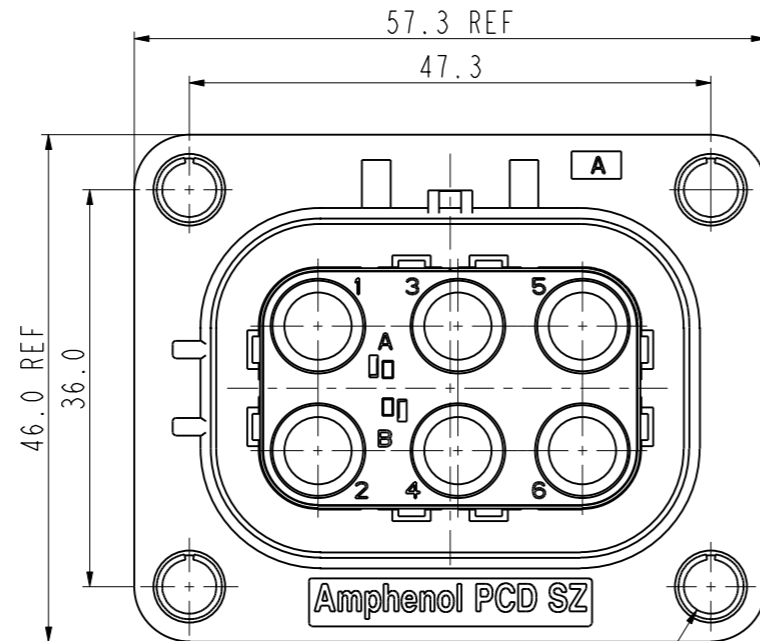


REV	ECN	DESCRIPTION	DATE	MODIFIED
2		CHG ROW NUMBER OF POSITION	May.23	C.P
3	R0220	CHANGE HVIL CONTACT P/N	Aug.14	C.P
4	R0374	ADD WIRE 2.5 SQ SPEC	Mar.13.19	C.P
A	R3365W	ADD APPLICATION NOTES	July.01	D. LIU

Amphenol PCDSZ  
ORIGINAL  
PDF Format  
R&D

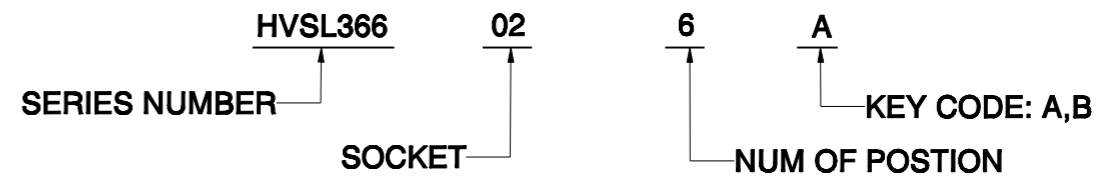
**MATERIAL:**  
HOUSING: PA66 + GF25 UL94V-0  
CONTACTS: COPPER ALLOY, TIN PLATED  
SHIELD: COPPER ALLOY, TIN PLATED  
SEAL: SILICON

✦ IS CRITICAL CHARACTERISTIC SYMBOL  
◎ IS IMPORTANT CHARACTERISTIC SYMBOL



4XØ 4.9 REF

**PART NUMBER SCHEME**



**NOTES:**

- HVSL366026A SHOWN IN THIS SHEET
- POWER CONTACT AND HVIL CONTACT SHOULD BE ORDERED SEPARATELY,DETAIL SEE ORDERING INFORMATION TABLE.

**ORDERING INFORMATION TABLE**

ASSEMBLY ITEMS	SEPARATELY ORDERING PART/ 需单独购买零件		
HVSL366026X (X = A,B)	WIRE SIZE CHOOSE	POWER CONTACT (QTY PER ASSEMBLY)	HVIL CONTACT (QTY PER ASSEMBLY)
	2.5mm <sup>2</sup> WIRE	C310026002(6PCS)	C310003614S(2PCS)
	4&6mm <sup>2</sup> WIRE	C310026000(6PCS)	C310003614S(2PCS)

- 3.RoHS COMPLIANCES
- 4.TIGHTEN TORQUE WITH MOUTING PLATE: 2N.M

TECHNICAL DATA		SPECIAL CHARACTERISTICS SYMBOL
VOLTAGE RATED	1000V AC&DC	✦
WITHSRAND VOLTAGE	3000V	✦
INSULATION RESISTANCE	> 100 MΩ	✦
CURRENT RATED	POWER CONTACT 20A(2.5 mm <sup>2</sup> ) 32A(4 mm <sup>2</sup> ) 40A(6 mm <sup>2</sup> )	✦
	HVIL CONTACT 5A(0.35-0.5 mm <sup>2</sup> )	
IP PROTECTION (MATED CONDITION)	IP67	✦
IP FOR FINGER TOUCH (UNMATED CONDITION)	IP2XB	✦
SHEILD	YES	NA
DURABILITY	50 TIMES	◎
OPERATURE TEMPERATURE	-40° C - + 125° C	NA
WIRE RANGE	2.5-6 SQ MM	NA

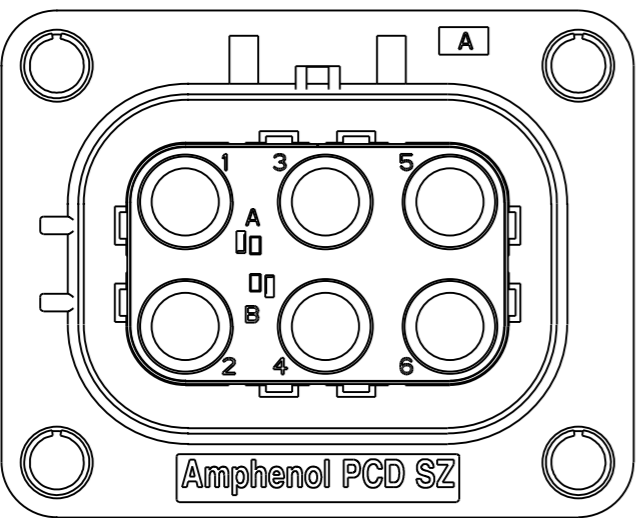
**APPLICATION:**  
POLLUTION DEGREE 2  
OVERVOLTAGE CATEGORY II  
INHOMOGENEOUS FIELD  
ALTITUDE NO MORE THAN 2000M

DIMENSIONS	TOLERANCES	PROJECTION	TITLE		
ANSI Y14.5M UNITS: MM Pro/E FILE	.X ±0.5 .XX ±0.05 ANGLES ±2.0°		HVSL SERIES 6POS SOCKET		
ORIGINAL	THIS DOCUMENT CONTAINS PROPRIETARY INFORMATION WHICH IS THE CONFIDENTIAL PROPERTY OF AMPHENOL PCD SHENZHEN	ENGR			
		CHKD	A3	C-HVSL366026X	A
		APPD	CODE: 58982	SCALE: 3:2	SHEET 1 OF 2

C-HVSL366026X

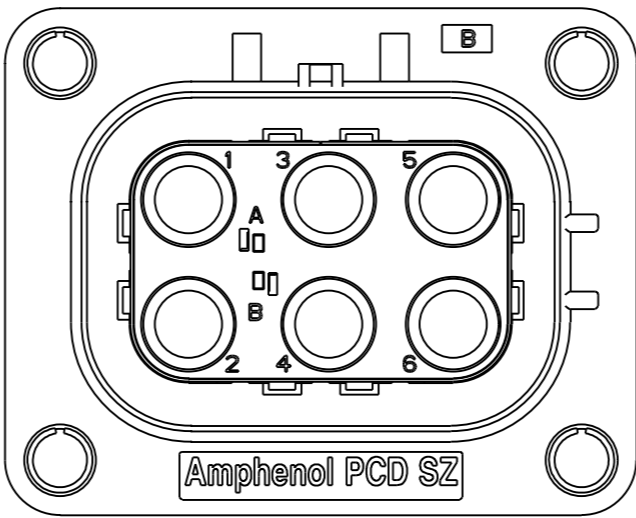
C-HVSL366026X

C-HVSL366026X



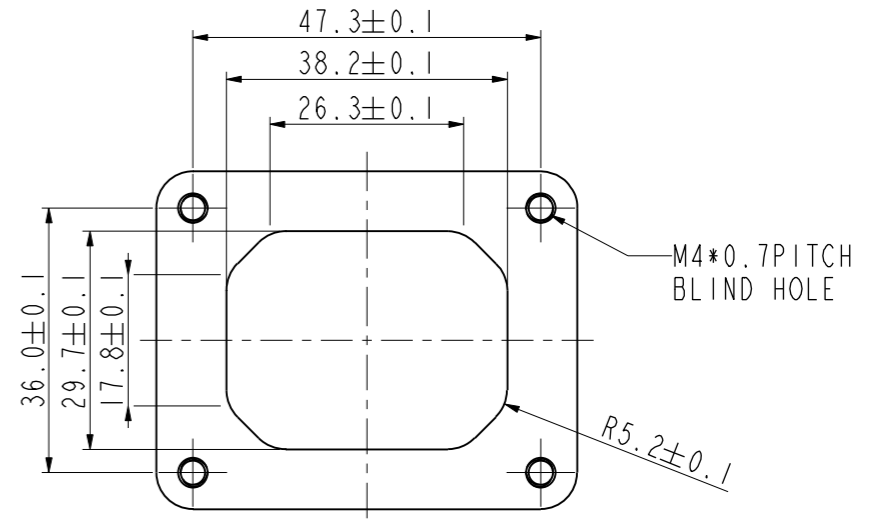
KEY A

P/N: HVSL366026A

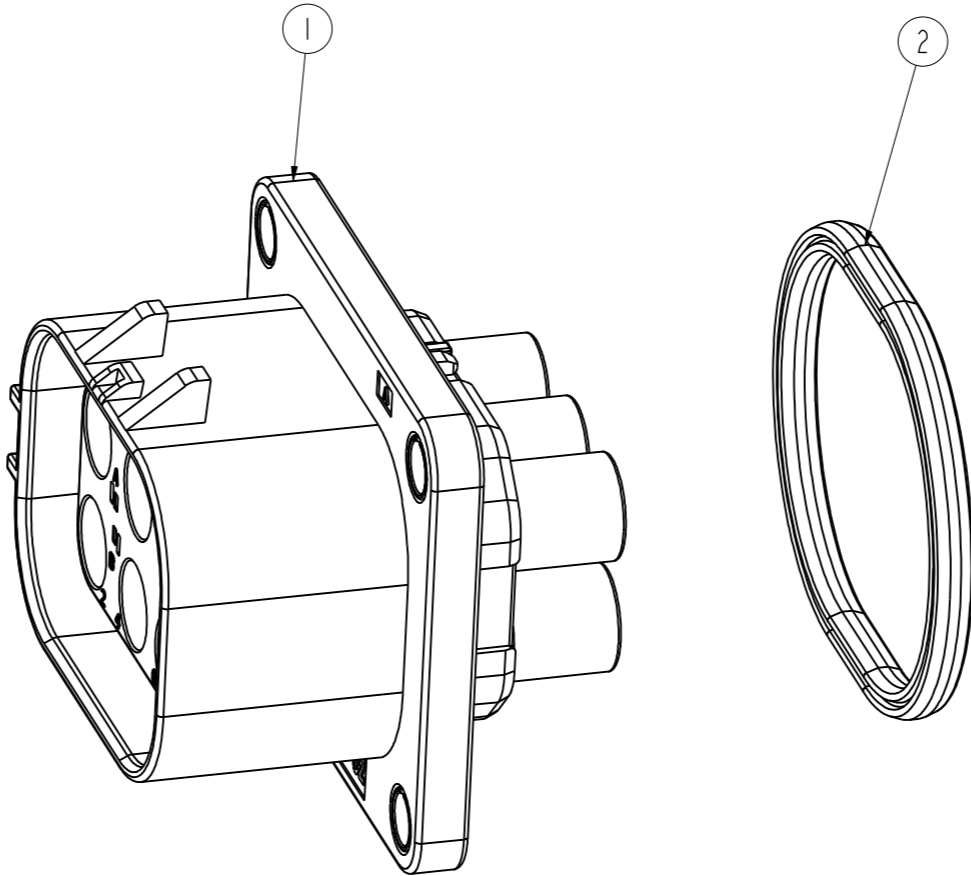


KEY B

P/N: HVSL366026B



MOUNTING INTERFACE VIEW



C-HVSL366026X

C-HVSL366026X

HVSL366026B	2	P03BR00032	1	KEY B
	1	HVSL36602B	1	
HVSL366026A	2	P03BR00032	1	KEY A
	1	HVSL36602A	1	
ASSEMBLY P/N	ITEM	COMPONENT P/N	QTY	REMARKS

SIZE <b>A3</b>	DWG NO. <b>C-HVSL366026X</b>	REV <b>A</b>
CODE: 58982	SCALE: 3:2	SHEET 2 OF 2