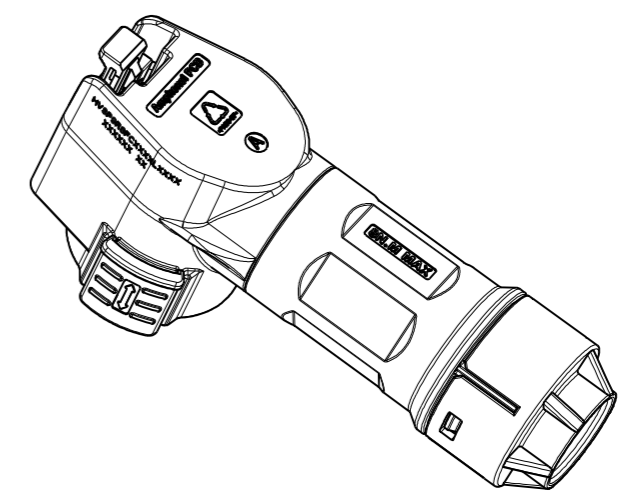
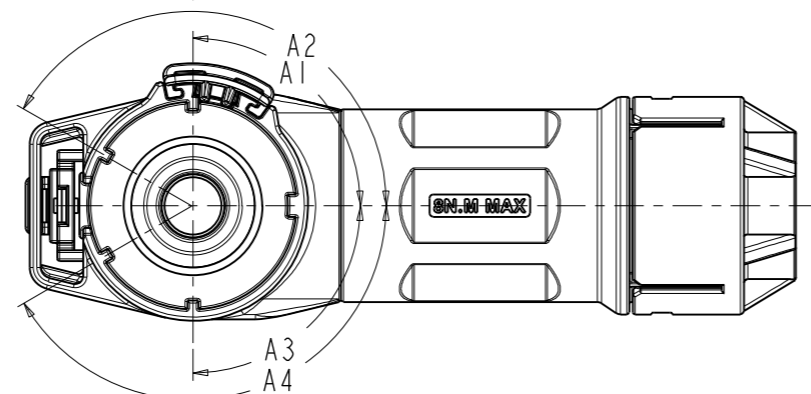
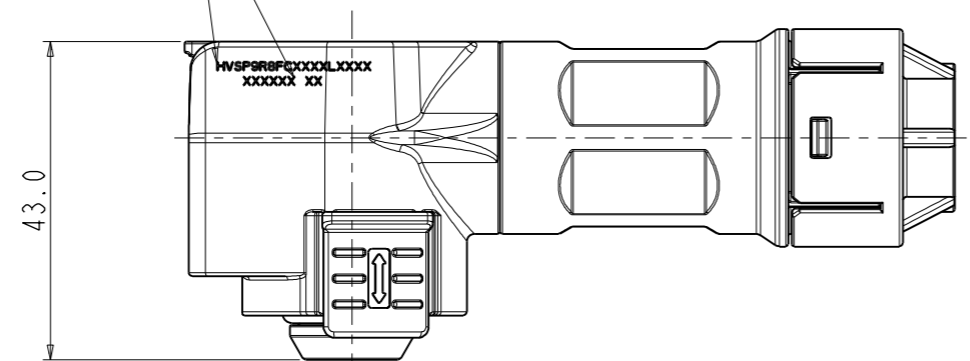
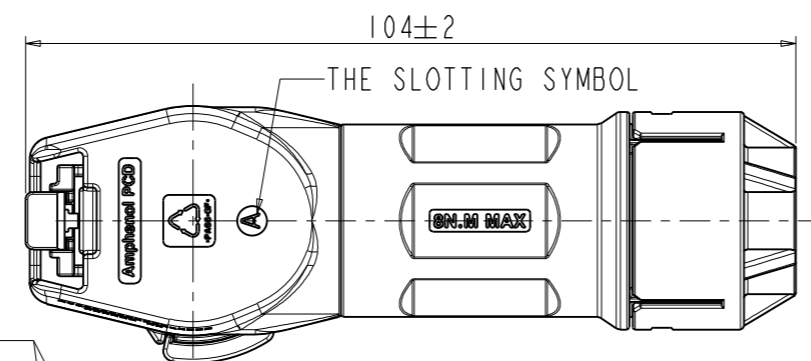
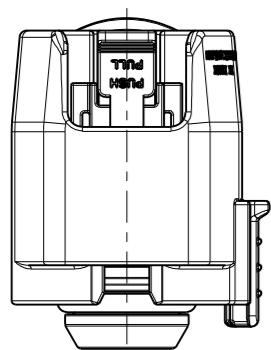


C-HVSP9R8FCXXXXL0000

| REV | ECN    | DESCRIPTION                | DATE        | MODIFIED |
|-----|--------|----------------------------|-------------|----------|
| 1   |        | FIRST RELEASE              | Otc-16-2019 |          |
| 2   | C5607N | UPGRADE THE RATING VOLTAGE | Jun-27-2022 |          |

ORIGINAL  
PDF Format  
R&D

PRINTING CONTENT:  
P/N  
TRACEABILITY CODE



HVSP 9R8 FC X X XX L 0000

| KEY | A1   | A2   | A3   | A4   |
|-----|------|------|------|------|
| A   | 90°  | 150° | 90°  | 150° |
| B   | 90°  | 120° | 90°  | 120° |
| C   | 120° | 150° | 120° | 150° |
| D   | 120° | 150° | 90°  | 150° |
| E   | 90°  | 150° | 120° | 150° |

| CODE | COLOR  |
|------|--------|
| /    | ORANGE |
| B    | BLACK  |

| CABLE | DESCRIPTION                               |
|-------|---|
| 35    | 35MM2 UNSHIELDING<br>ORANGE OD=11.75±0.75 |
| 50    | 50MM2 UNSHIELDING<br>ORANGE OD=13.75±0.75 |

C-HVSP9R8FCXXXXL0000

C-HVSP9R8FCXXXXL0000

| TECHNICAL DATA  |                     | REMARK |
|---|---------------------|--------|
| CURRENT RATE(50MM^2 CABLE)  | UP TO 180A          | +      |
| CURRENT RATE(35MM^2 CABLE)  | UP TO 150A          | +      |
| RATING VOLTAGE<br>(OVERVOLTAGE CATEGORY II<br>POLLUTION DEGREE 2) | 1500V DC            | + △2   |
| OPERATING TEMPERATURE   | -40~125°C           |        |
| DIELECTRIC WITHSTANDING VOLTAGE                                   | 4000V AC(RMS)       | + △2   |
| INSULATION RESISTANCE   | 200MΩ MIN.<br>@25°C | +      |
| DURABILITY  | 50 CYCLES           | ◎      |
| SHIELDING   | NO                  |        |
| WATERPROOF(MATED CONDITION)                                       | IP 67               | +      |
| AMBIENT TEMPERATURE   | -40~70°C            |        |
| PROTECTION LEVEL  | IP2XB               | +      |
| RoHS&REACH  | YES                 | +      |

| DIMENSIONS  | TOLERANCES   | PROJECTION |
|-------------|--|------------|
| ANSI Y14.5M | X ±0.5   |            |
| UNITS: MM   | XX ±0.05   |            |
| Pro/E FILE  | ANGLES ±2°   |            |
| ORIGINAL    | THIS DOCUMENT CONTAINS<br>PROPRIETARY INFORMATION WHICH<br>IS THE CONFIDENTIAL PROPERTY<br>OF Amphenol PCD Shenzhen Co. Ltd<br>Amphenol PCD Shenzhen Co. Ltd RESERVES<br>THE RIGHT TO CLARIFY THIS DRAWING |            |

| Amphenol PCD Shenzhen |             | TITLE        |                      |
|-----------------------|-------------|--------------|----------------------|
| ENGR                  | Otc-16-2019 | HVSP-R8 PLUG |                      |
| CHKD                  |             | SIZE         | DWG NO.              |
| APPD                  |             | A3           | C-HVSP9R8FCXXXXL0000 |
|                       |             | REV          | 2                    |
| CODE: 58982           | SCALE: 2:1  | SHEET 1      | OF 1                 |

+ CRITICAL CHARACTERISTIC MARKS/关键特性符号  
◎ IMPORTANT CHARACTERISTIC MARKS/重要特性符号