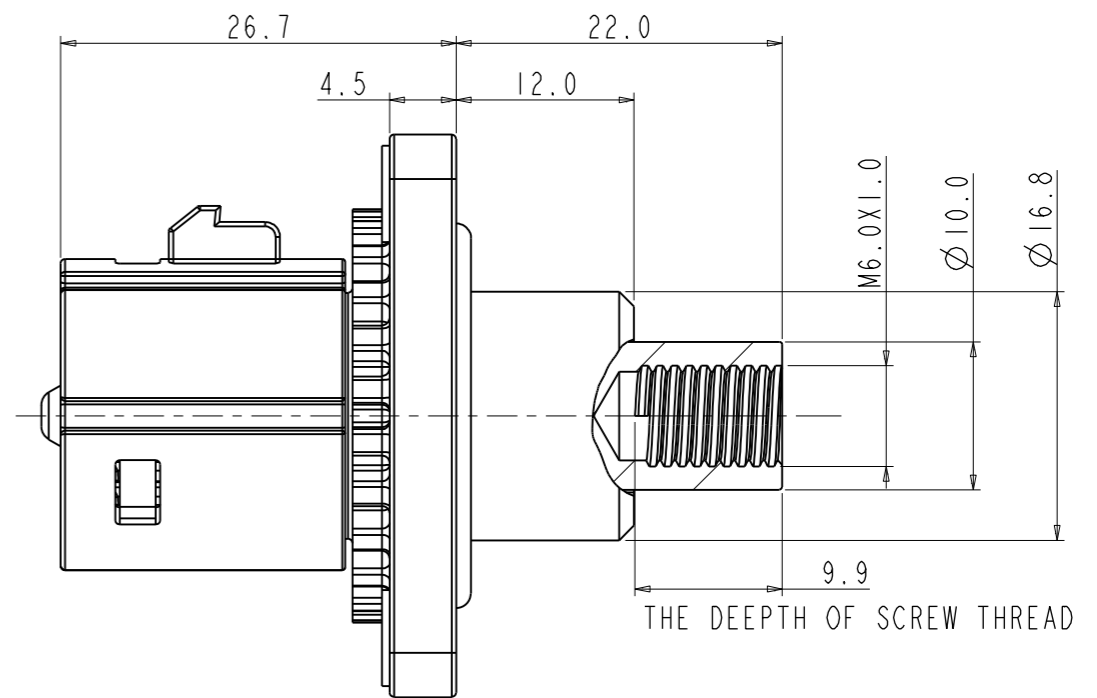
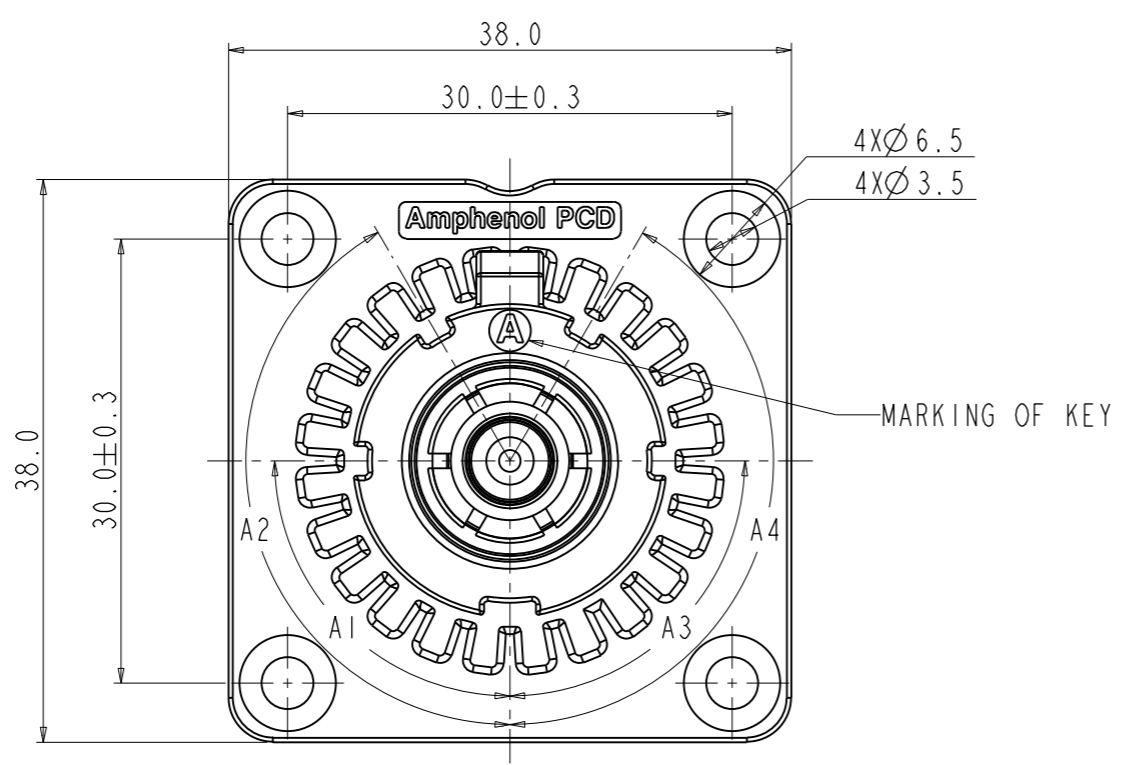


C-HVSPOR6MDXX

REV	ECN	DESCRIPTION	DATE	MODIFIED
A		RELEASE	Otc-10-2016	
B	R4066N	ADJUST THE TORQUE	Apr-08-2020	
C	C5607N	UPGRADE THE RATING VOLTAGE	Jun-27-2022	

ORIGINAL
PDF Format
R&D

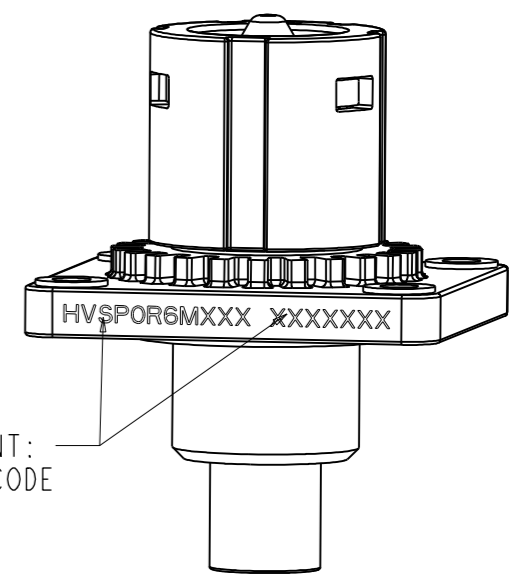
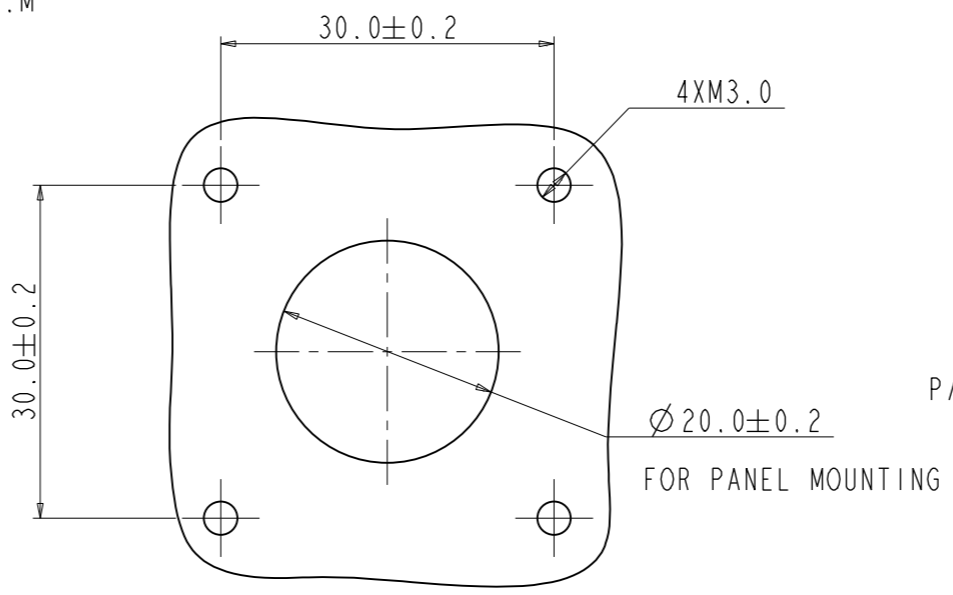


- NOTE:
 1. FLANGE MATCHING SCREW IS M3 SUGGEST THE LOCKING TORQUE IS 0.6N.M
 2. CONTACT MATCHING SCREW IS M6X1.0 SUGGEST THE LOCKING TORQUE IS 4N.M
 3. RoHS&REACH COMPLIANCE
 4. PART NUMBER DESCRIPTION: HVSPOR6MD X X

KEY OF CODING OPTION | COLOR OF CODING OPTION

PART NO.	A1	A2	A3	A4
A	90°	150°	90°	150°
B	90°	120°	90°	120°
C	120°	150°	120°	150°
D	120°	150°	90°	150°
E	90°	150°	120°	150°

N/A=ORANGE
B=BLACK



PRINTING CONTENT:
P/N+TRACEABILITY CODE

TECHNICAL DATA		REMARK
CURRENT RATE(25MM^2 CABLE)	UP TO 120A	+
RATING VOLTAGE (OVERVOLTAGE CATEGORY II POLLUTION DEGREE 2)	1500V DC	+
OPERATING TEMPERATURE	-40~125°C	
DIELECTRIC WITHSTANDING VOLTAGE	4000V AC(RMS)	+
INSULATION RESISTANCE	200MΩ MIN. 25°C, NO CABLE	+
DURABILITY	50 CYCLES	⊙
SHIELDING	NO	
WATERPROOF(MATED CONDITION)	IP 67	+
AMBIENT TEMPERATURE	-40~70°C	
PROTECTION LEVEL	IP2XB	+
RoHS&REACH	YES	+

DIMENSIONS	TOLERANCES	PROJECTION	TITLE		
ANSI Y14.5M UNITS: MM Pro/E FILE	X ±0.5 XX ±0.05 ANGLES ±2°		Amphenol PCD Shenzhen		
			Otc-10-2016		
ORIGINAL	THIS DOCUMENT CONTAINS PROPRIETARY INFORMATION WHICH IS THE CONFIDENTIAL PROPERTY OF Amphenol PCD Shenzhen Co. Ltd Amphenol PCD Shenzhen Co. Ltd RESERVES THE RIGHT TO CLARIFY THIS DRAWING		CHKD	SIZE A3	DWG NO. C-HVSPOR6MDXX
			APPD	REV C	
			CODE: 58982	SCALE: 2:1	SHEET 1 OF 1

C-HVSPOR6MDXX

C-HVSPOR6MDXX