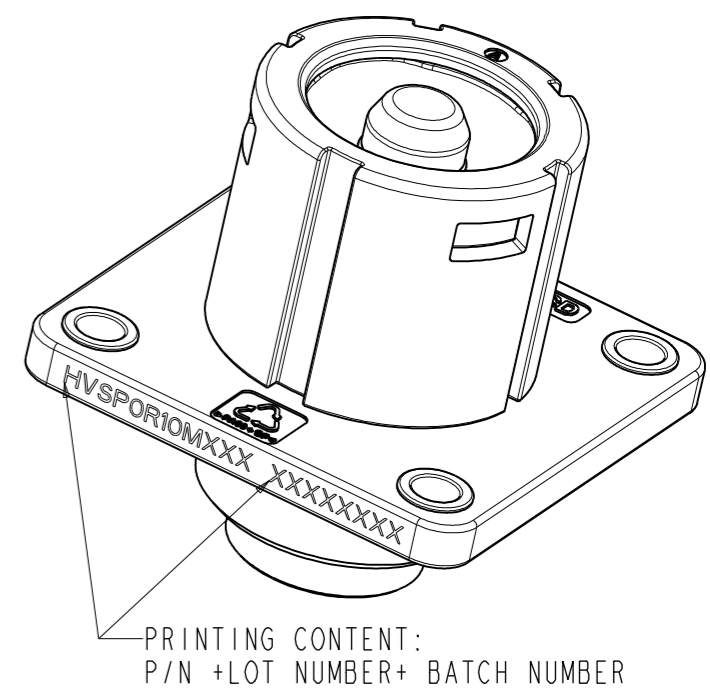
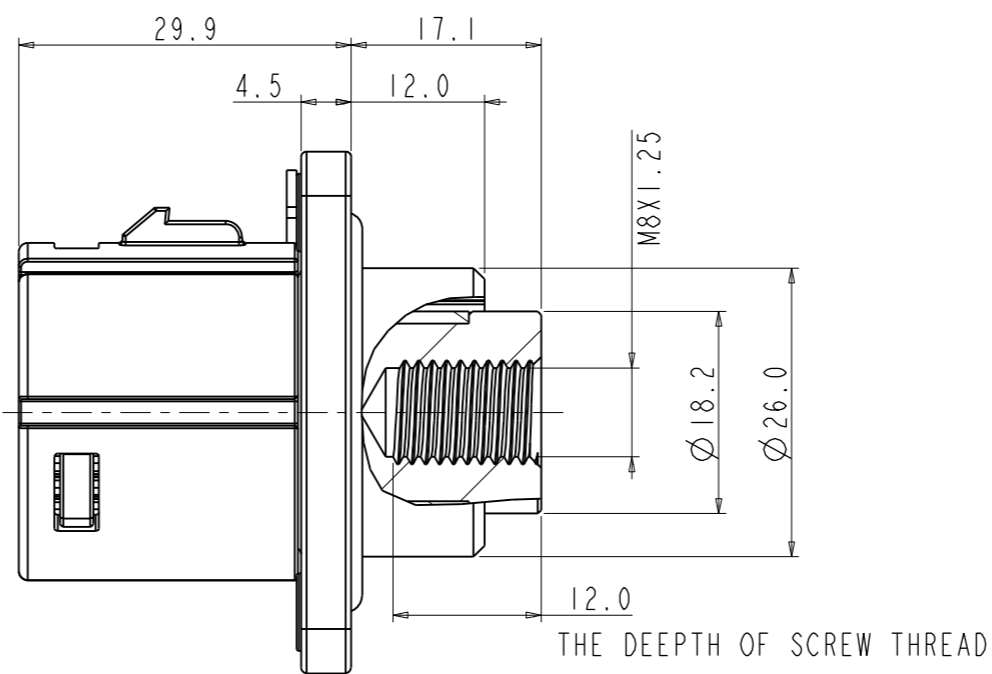
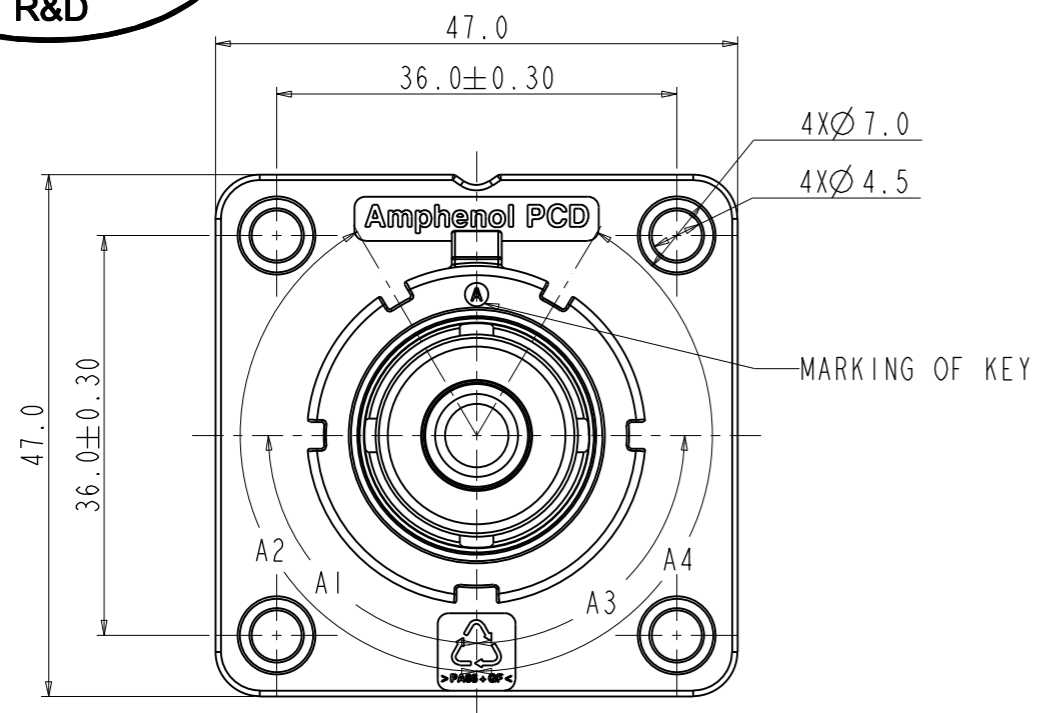


C-HVSPOR10MDXX

| REV | ECN | DESCRIPTION | DATE | MODIFIED |
|-----|--------|----------------------------|------------|----------|
| B | | RELEASE | 2015.11.02 | |
| C | R4066N | ADJUST THE TORQUE | 2020.04.08 | |
| D | C5607N | UPGRADE THE RATING VOLTAGE | 2021.07.12 | |

ORIGINAL
PDF Format
R&D



SECTION A-A

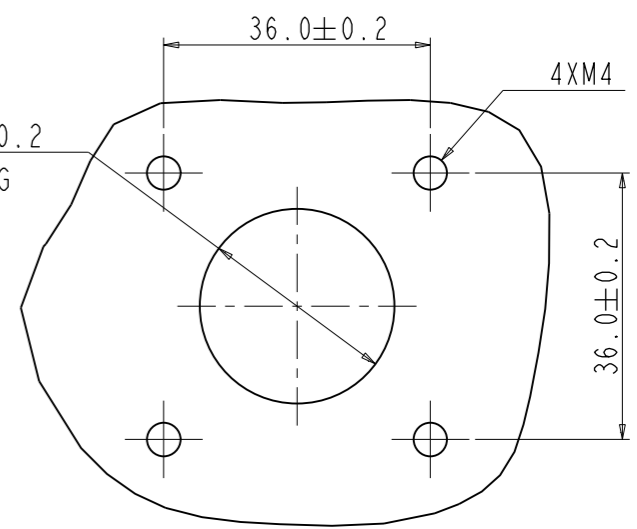
- NOTE:
1. FLANGE MATCHING SCREW IS M4 SUGGEST THE LOCKING TORQUE IS 1.2N.M
 2. CONTACT MATCHING SCREW IS M8X1.25 SUGGEST THE LOCKING TORQUE IS 13.4N.M
 3. RoHS COMPLIANCE
 4. PART NUMBER DESCRIPTION: HVSPOR10MD X X

KEY OF CODING OPTION | COLOR OF CODING OPTION

| PART NO. | A1 | A2 | A3 | A4 |
|----------|------|------|------|------|
| A | 90° | 150° | 90° | 150° |
| B | 90° | 120° | 90° | 120° |
| C | 120° | 150° | 120° | 150° |
| D | 120° | 150° | 90° | 150° |
| E | 90° | 150° | 120° | 150° |

N/A=ORANGE
B=BLACK

FOR PANEL MOUNTING



PANEL CUT OUT REFERENCE

| TECHNICAL DATA | | REMARK |
|---|------------------------------|--------|
| CURRENT RATE(70MM ² CABLE) | UP TO 250A | + |
| CURRENT RATE(50MM ² CABLE) | UP TO 180A | + |
| RATING VOLTAGE (OVERVOLTAGE CATEGORY II POLLUTION DEGREE 2) | 1500V DC | + △ |
| OPERATING TEMPERATURE | -40~125°C | |
| DIELECTRIC WITHSTANDING VOLTAGE | 4000V AC(RMS) | + △ |
| INSULATION RESISTANCE | 200MΩ MIN. 25 C, NO CABLE | + |
| DURABILITY | 50 CYCLES | ◎ |
| SHIELDING | NO | |
| WATERPROOF(MATED CONDITION) | IP 67 | + |
| AMBIENT TEMPERATURE | -40~70°C | |
| PROTECTION LEVEL | IP2XB | + |
| RoHS | YES | + |

| DIMENSIONS | TOLERANCES | PROJECTION | TITLE | |
|--|--|------------|-----------------------|------------------------|
| ANSI Y14.5M UNITS: MM Pro/E FILE | X ±0.5 XX ±0.05 ANGLES ±2° | | Amphenol PCD Shenzhen | |
| ORIGINAL | THIS DOCUMENT CONTAINS PROPRIETARY INFORMATION WHICH IS THE CONFIDENTIAL PROPERTY OF Amphenol PCD Shenzhen Co. Ltd Amphenol PCD Shenzhen Co. Ltd RESERVES THE RIGHT TO CLARIFY THIS DRAWING | | ENGP | 2015.11.02 |
| | | | CHKD | |
| | | APPD | SIZE A3 | DWG NO. C-HVSPOR10MDXX |
| | | | CODE: 58982 | SCALE: 2:1 |
| | | | SHEET 1 | OF 1 |
| | | | REV D | |

C-HVSPOR10MDXX

C-HVSPOR10MDXX