

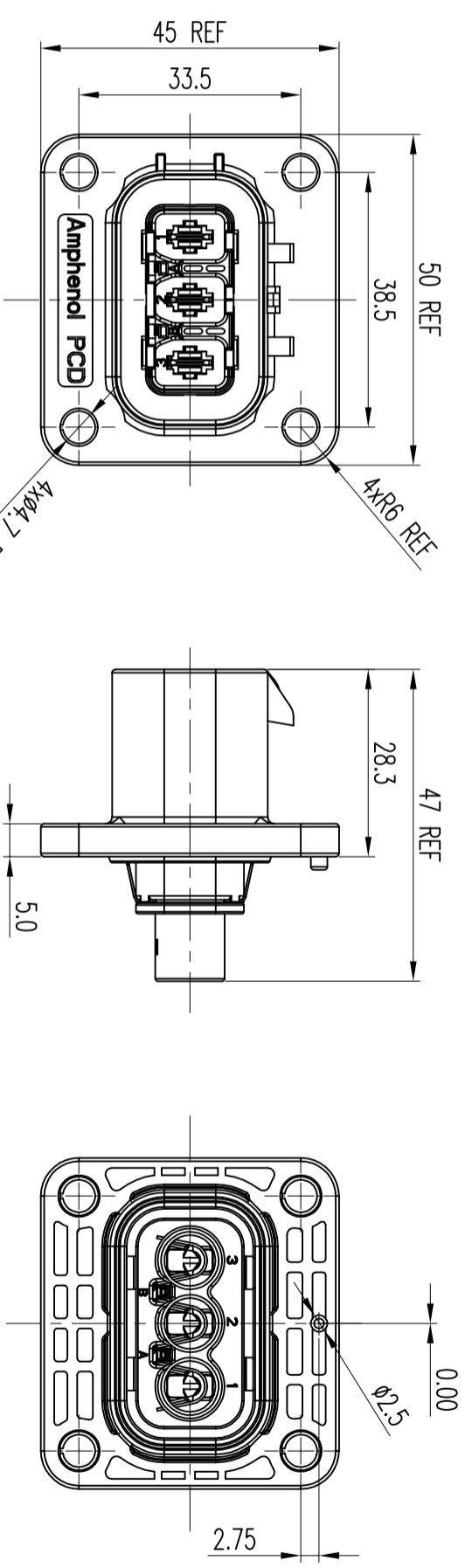
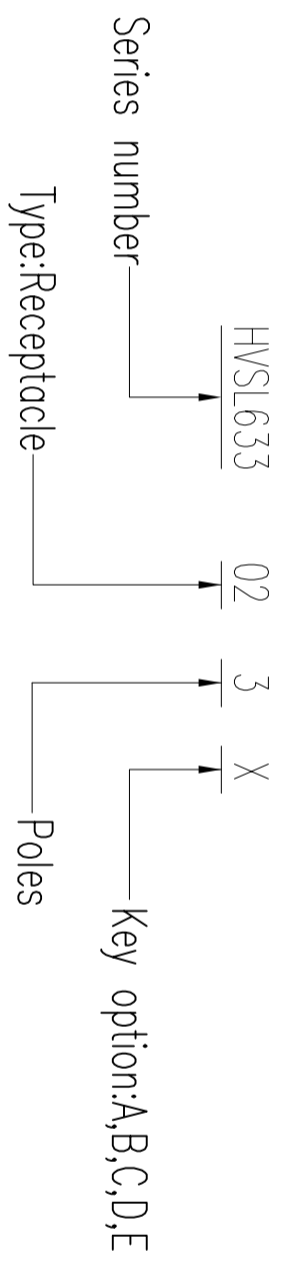
Material
 Housing : PA66 UL94-V0 Orange
 Contacts: Copper alloy, Tin plated
 Shield: Copper alloy, Tin plated
 Seal: Silicone

★ IS CRITICAL CHARACTERISTIC SYMBOL
 ◎ IS IMPORTANT CHARACTERISTIC SYMBOL
 APPLICATION: POLLUTION DEGREE 2 /污染等级2
 OVERVOLTAGE CATEGORY II/过电压类别II
 INHOMOGENEOUS FIELD/非均匀电场

TECHINCAL DATA	SPECIAL CHARACTERISTICS SYMBOL
VOLTAGE RATING	1000V AC&DC
WITHSTAND VOLTAGE	3000V AC
INSULATION RESISTANCE	> 100MΩ
CURRENT RATING	SIGNAL CONTACT 5A(0.35~0.5mm ²) POWER CONTACT 23A(2.5mm ²) 32A(4mm ²) 40A(6mm ²)
WATER PROOF (MATED CONDITION)	IP67
IP FOR FINGER TOUCH (UNMATED CONDITION)	IP2XB
SHIELDING FUNCTION	YES
MAX MATING CYCLES	50 TIMES
OPERATION TEMP.	-40~125°C
WIRE RANGE	2.5~6mm ²

C-HVSL633023X

PART NUMBERING SCHEME



*NOTES:
 1.Power contact and HVL contact should be ordered separately.detail see ordering information table
 2.HVSL633023A shown in this sheet

Ordering information table

Assembly items	Separately ordering parts/需单独购买的零件		
HVSL633023X (X=A,B,C,D,E)	Wire size choose	Power contact (QTY per assembly)	HVL contact (QTY per assembly)
	4&6mm ² wire	C310003622S (3pcs)	C310003614S (2pcs)
	2.5mm ² wire	C31002350S (3pcs)	C310003614S (2pcs)

★ 3.Tight torque with mounting plate: 2N*M
 4.RoHS compliance

DIMENSIONS	TOLERANCES	PROJECTION	TITLE	
ANSI Y14.5M UNITS: MM CAD FILE	X ± 0.5 .XX ±0.05 ANGLES ±2°		SIZE A3	DWG NO. C-HVSL633023X
ORIGINAL	THIS DOCUMENT CONTAINS PROPRIETARY INFORMATION WHICH IS THE CONFIDENTIAL PROPERTY OF AMPHENOL PCD SHENZHEN		CHKD APPD	REV H
			SCALE NONE	SHEET 1 OF 4

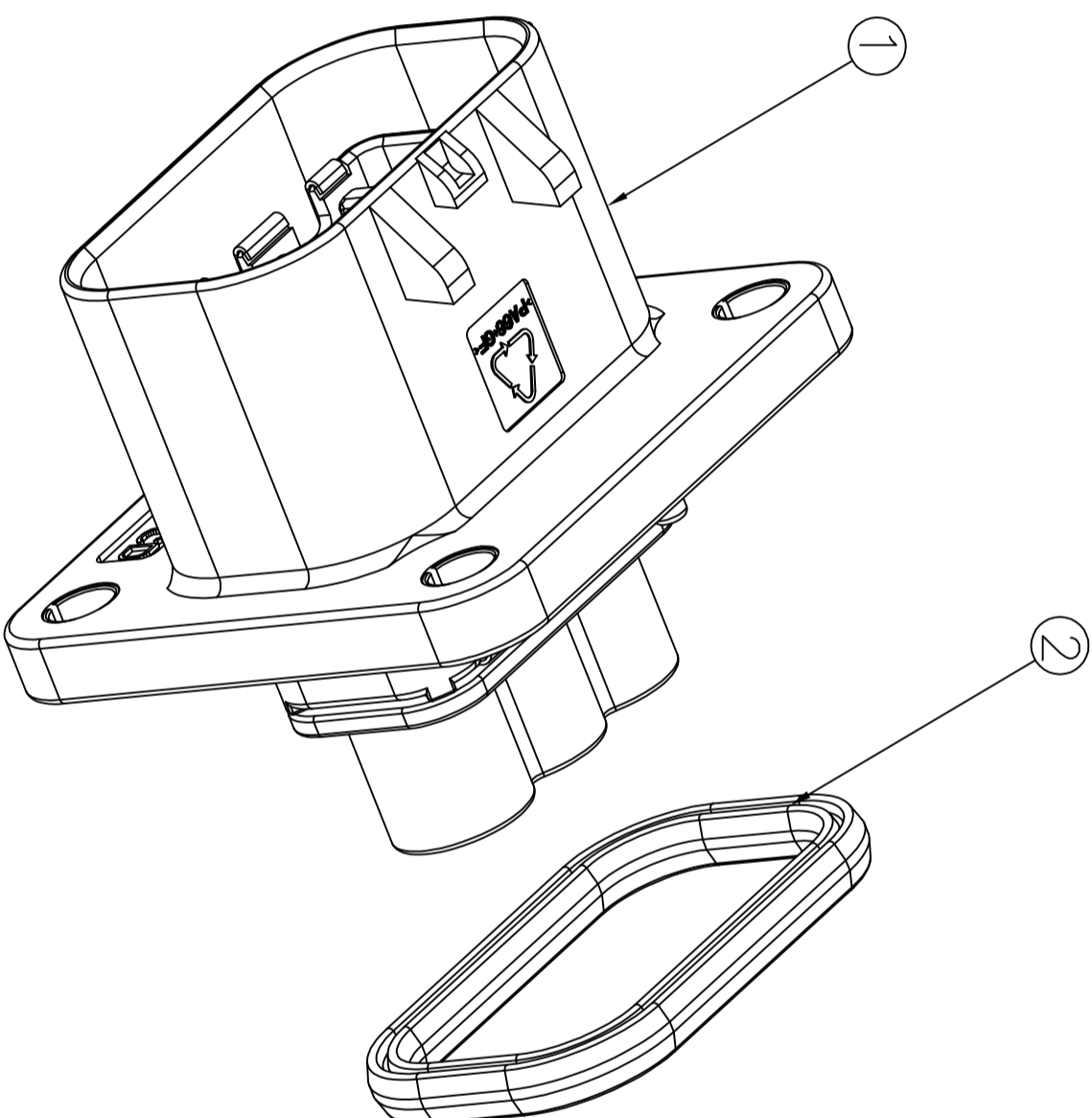
安费诺精密连接器(深圳)有限公司
 Amphenol PCD Shenzhen
 受控文件
 2019年7月31日

C-HVSL633023X

安费诺精密连接器(深圳)有限公司
Amphenol PCD Shenzhen

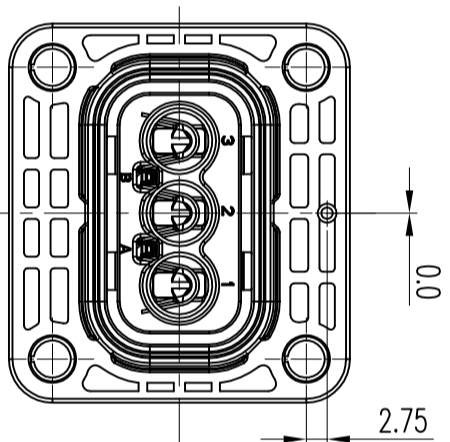
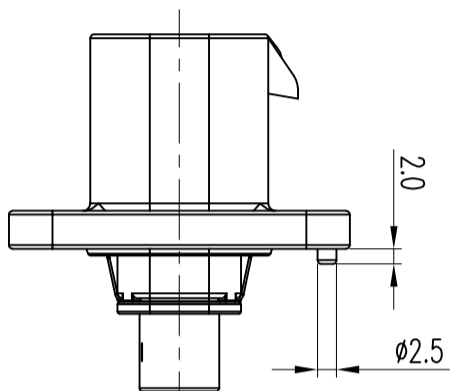
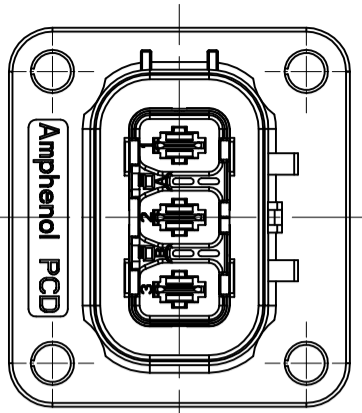
受控文件

2019年7月31日



HVSL633023X	2	C4270011301	1	
	1	HVSL63302X(X=A,B,C,D,E)	1	
Assembly P/N	ITEM	COMPONENT P/N	QTY	REMARKS

SIZE	DWG NO.	REV
A3	C-HVSL633023X	H
CODE:	SCALE	SHEET
	NONE	2 OF 4

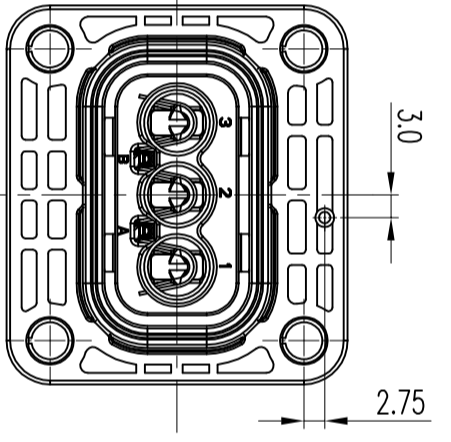
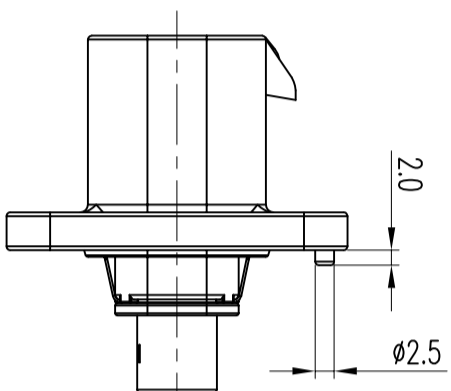
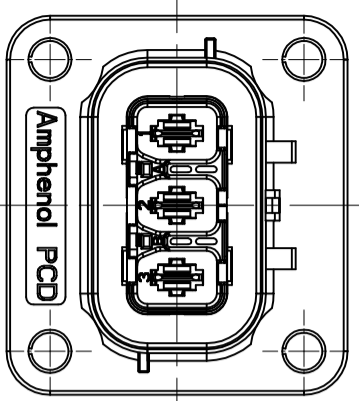


安费诺精密连接器(深圳)有限公司
Amphenol PCD Shenzhen

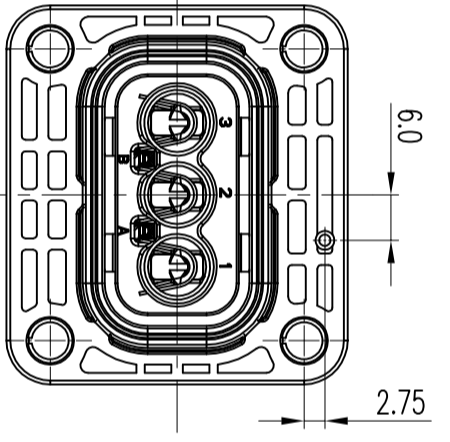
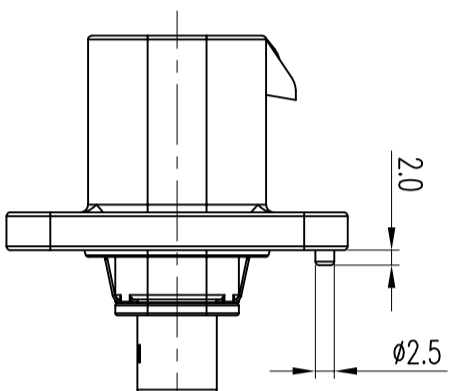
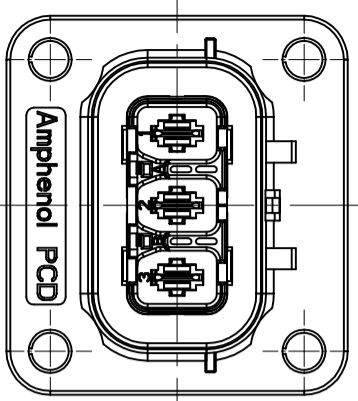
受控文件

2019年7月31日

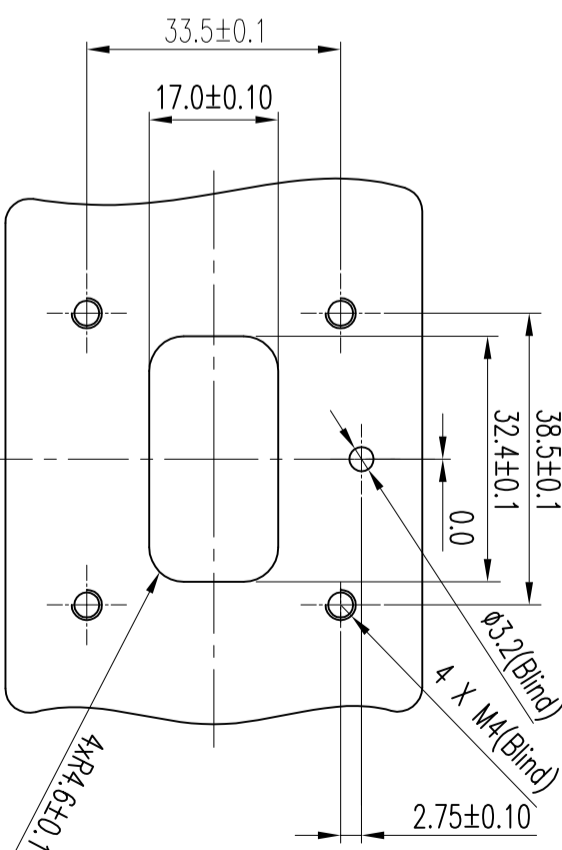
KEY A
HVSL633023A



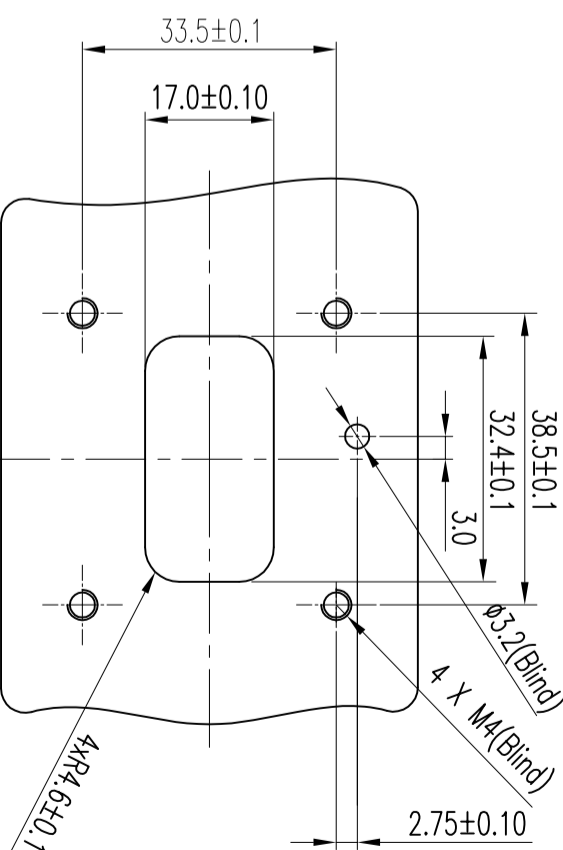
KEY B
HVSL633023B



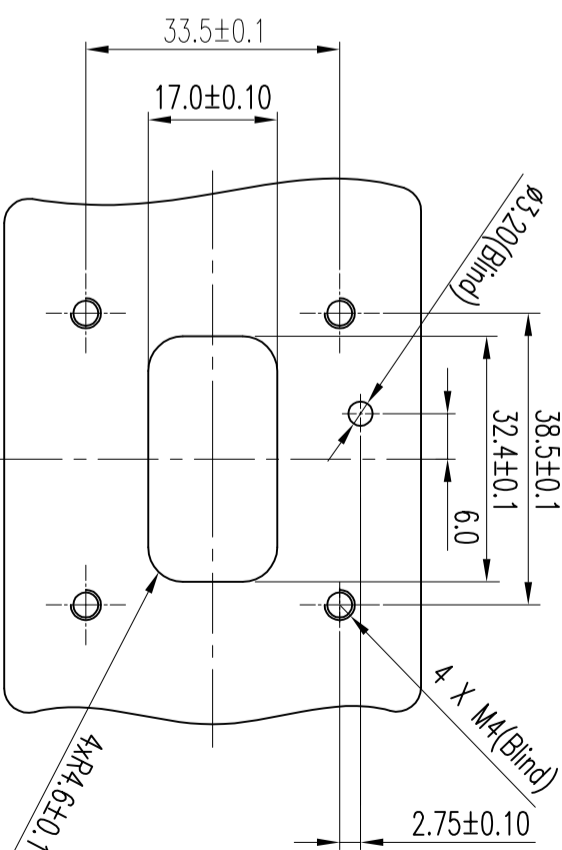
KEY C
HVSL633023C



MOUNTING INTERFACE REFERENCE

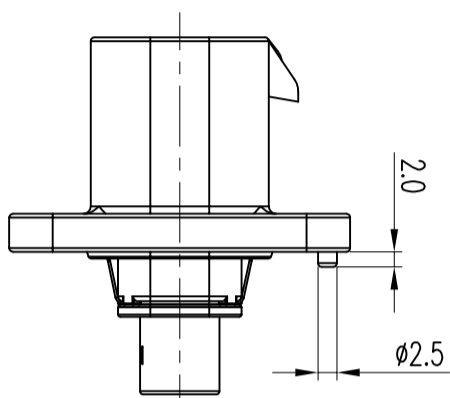
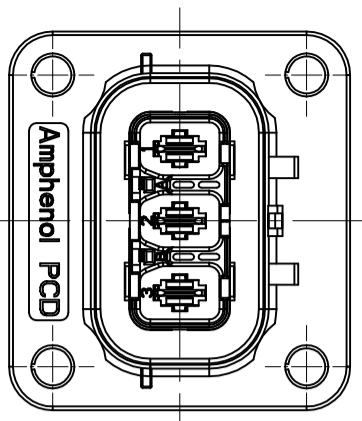


MOUNTING INTERFACE REFERENCE

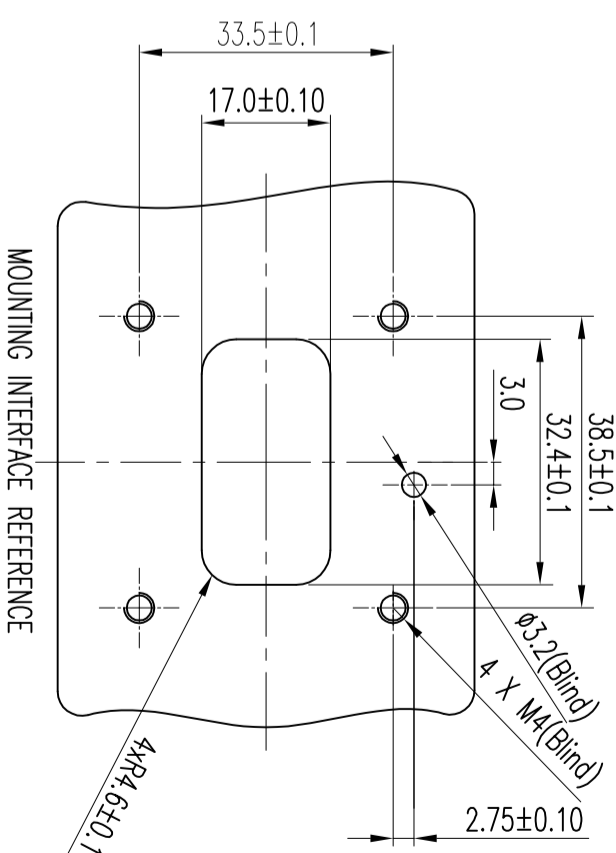
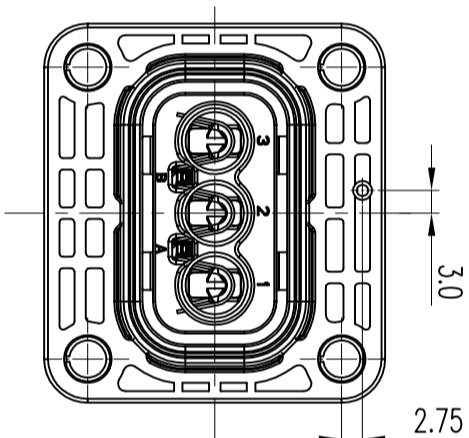


MOUNTING INTERFACE REFERENCE

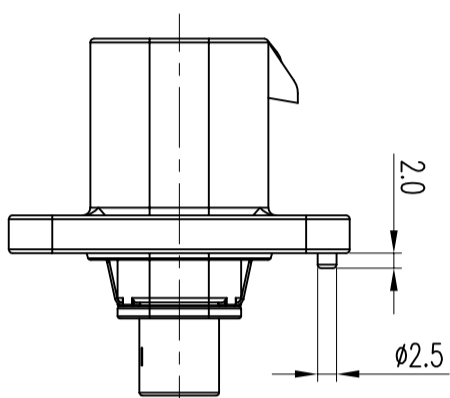
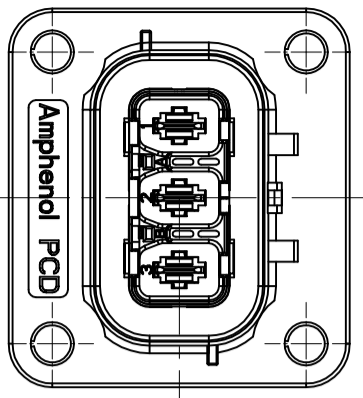
SIZE	DWG NO.	REV
A3	C-HVSL633023X	H
CODE:	SCALE	SHEET
	NONE	3 OF 4



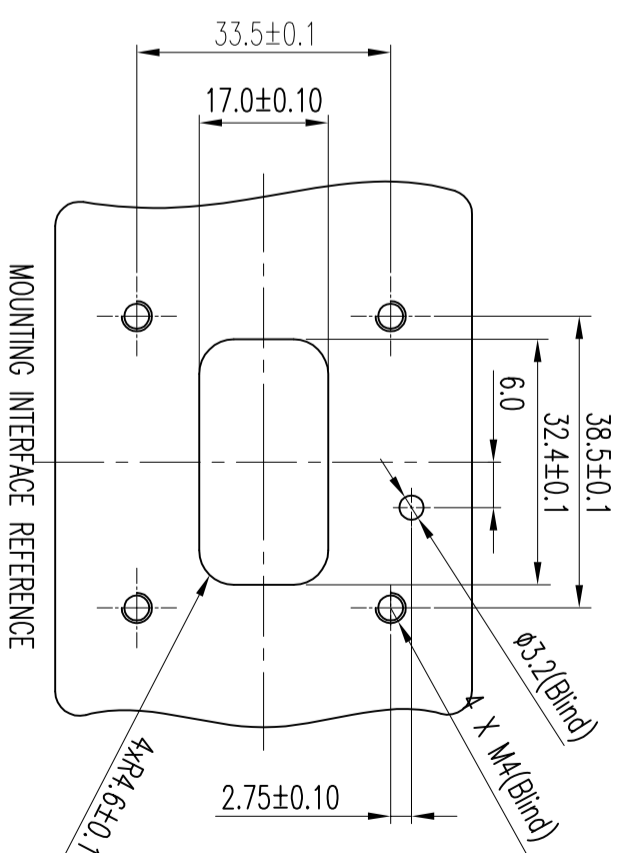
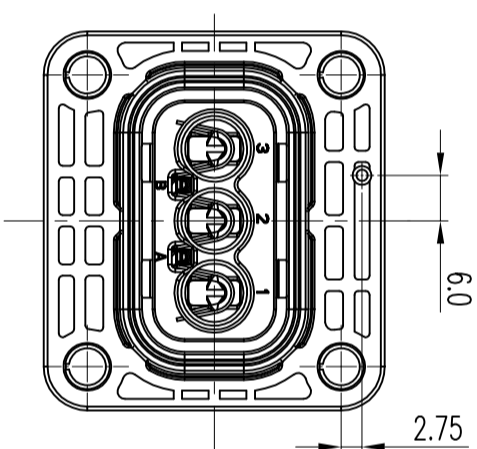
KEY D
HVSL633023D



安费诺精密连接器(深圳)有限公司
Amphenol PCD Shenzhen
受控文件
2019年7月31日



KEY E
HVSL633023E



SIZE	DWG NO.	REV
A3	C-HVSL633023X	H
CODE:	SCALE	SHEET
	NONE	4 OF 4