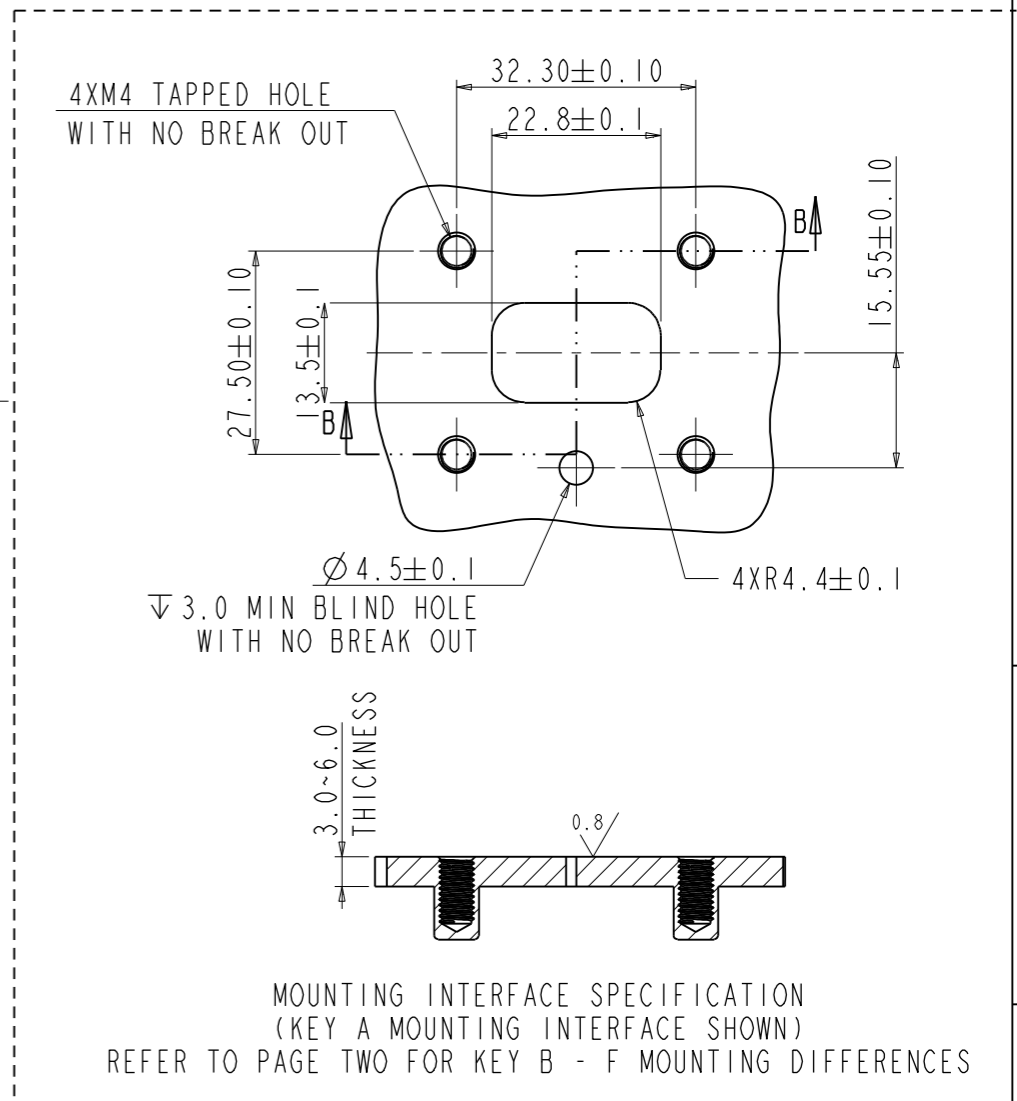
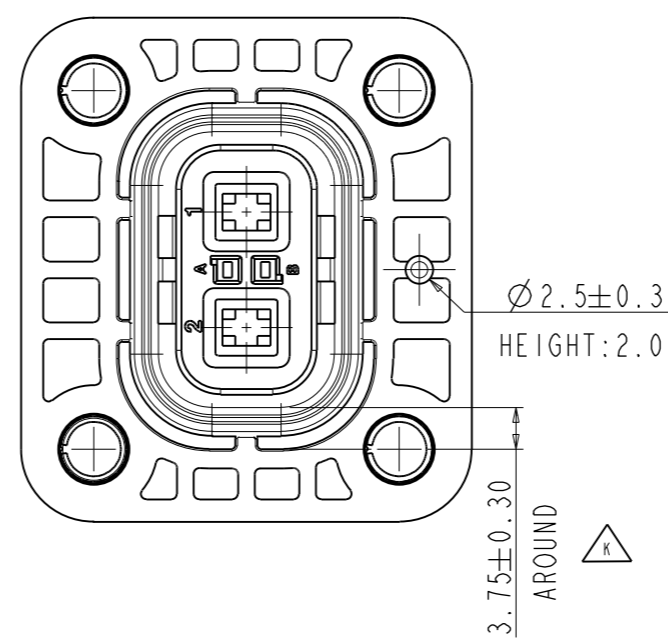
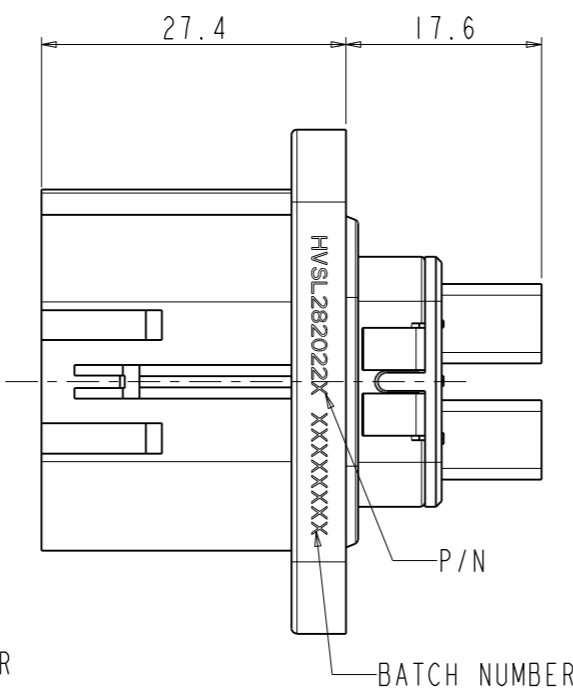
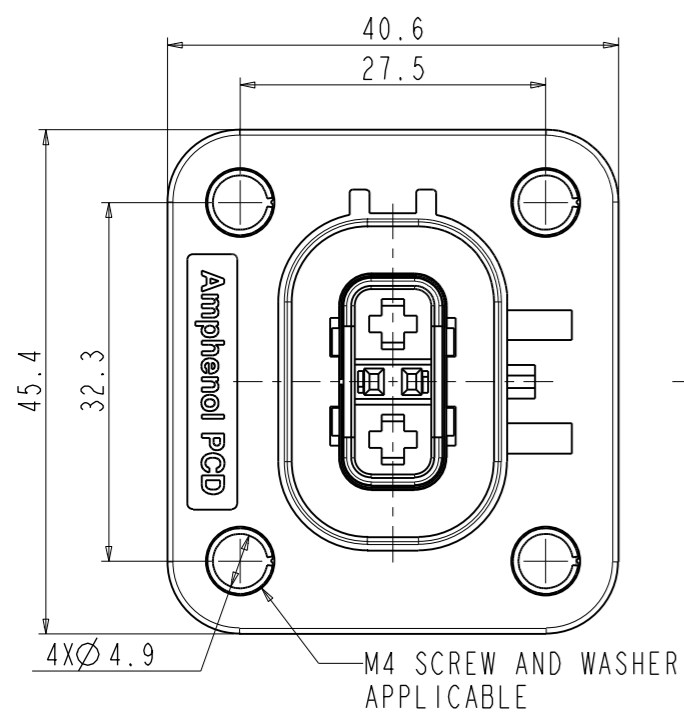


Amphenol PCD SZ
ORIGINAL
PDF Format
R&D

REV	ECN	DESCRIPTION	DATE	MODIFIED
G	C3275N	Correction of drawing errors	2019.4.24	.
H	C3338N	ADD SIGNAL CABLE OD	2019.05.17	.
J	R3571N	ADD TECHNICAL DATA SHEET NO.	2019.05.17	.
K	C4966N	ENLARGE THE SEALING GROOVE	2020.12.21	.



✦: CRITICAL CHARACTERISTICS 关键特性
◎: IMPORTANT CHARACTERISTICS 重要特性

NOTE:
1. RECEPTACLE DON'T INCLUDE CONTACT PIN, NEED TO BUY SEPARATE:
THE MAIN CONTACT: C310003611S, USE LEVEL: 2PCS
THE HVIL CONTACT: C310003614S, USE LEVEL: 2PCS
2. PREVAILING TORQUES: 2N*M

SCOPE OF CABLE OUTSIDE DIAMETER		
SIZE	OUTSIDE DIAMETER	REMARK
0.5MM ²	1.4~1.9MM	SIGNAL CABLE
0.75 MM ²		
2.5 MM ²	2.7~3.7 MM	POWER CABLE
3 MM ²	2.7~3.7 MM	
4 MM ²	3.0~4.0 MM	

TECHNICAL DATA		
CURRENT RATE (4MM ² UNSHIELD CABLE)	32A @ AMBIENT 70°C	✦
CURRENT RATE (2.5~3MM ² UNSHIELD CABLE)	23A @ AMBIENT 70°C	✦
RATING VOLTAGE (OVERVOLTAGE CATEGORY II POLLUTION DEGREE 2)	1000V DC	✦
OPERATING TEMPERATURE	-40~125°C	
DIELECTRIC WITHSTAND VOLTAGE	POWER CONTACT 3000V AC(RMS)	✦
	SIGNAL CONTACT 660V AC (RMS)	
INSULATION RESISTANCE	200MΩ MIN. 25°C, NO CABLE	✦
DURABILITY	50 CYCLES	◎
SHIELDING	YES	
WATERPROOF(MATED CONDITION)	IP 67, IP6K9K	✦
PROTECTION LEVEL	IP2XB	✦
AMBIENT TEMPERATURE	-40~70°C	
RoHS	YES	✦

DIMENSIONS	TOLERANCES	PROJECTION	TITLE	
ANSI Y14.5M UNITS: MM Pro/E FILE	X ±0.5 XX ±0.05 ANGLES ±2°		Amphenol PCD Shenzhen	
ORIGINAL	THIS DOCUMENT CONTAINS PROPRIETARY INFORMATION WHICH IS THE CONFIDENTIAL PROPERTY OF Amphenol PCD Shenzhen Co. Ltd RESERVES THE RIGHT TO CLARIFY THIS DRAWING		ENGR	20-12-18
			CHKD	
			APPD	
			SIZE	DWG NO.
			A3	C-HVSL282022X
			REV	K
			CODE: 58982	SCALE: 1:1 SHEET 1 OF 2

RECEPTACLE	P/N	KEY CODE
HVSL282022A		A
HVSL282022B		B
HVSL282022C		C
HVSL282022D		D
HVSL282022E		E
HVSL282022F		F

C-HVSL282022X

C-HVSL282022X

C-HVSL282022X

2022A (KEY A)

HVSL282022B (KEY B)

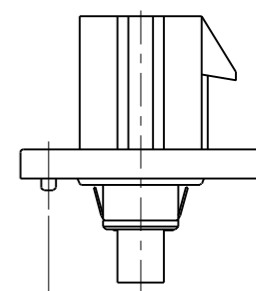
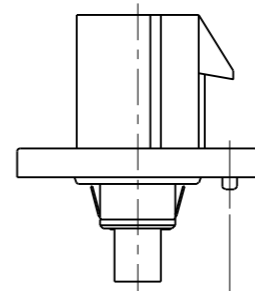
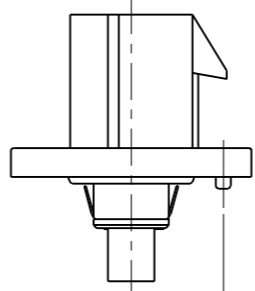
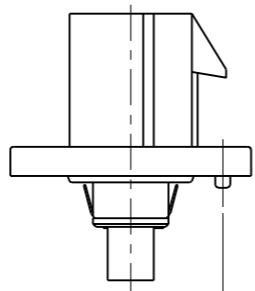
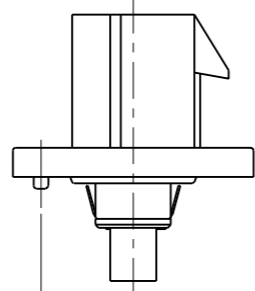
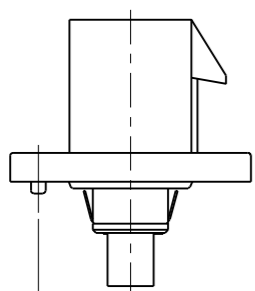
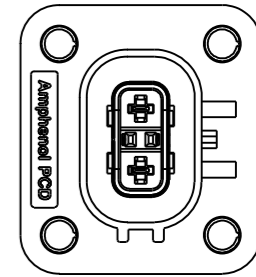
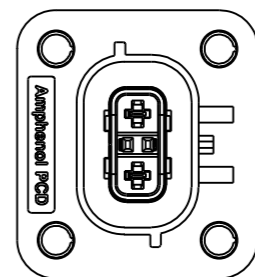
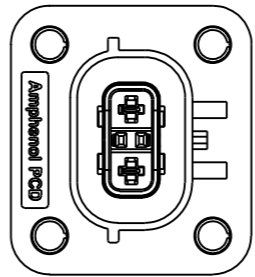
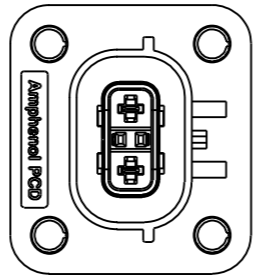
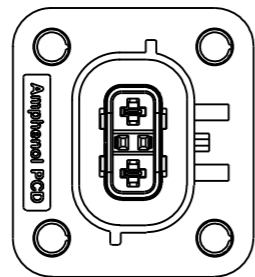
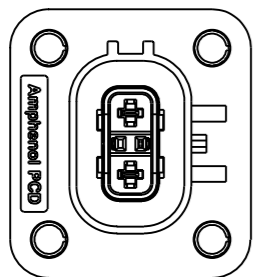
HVSL282022C (KEY C)

HVSL282022D (KEY D)

HVSL282022E (KEY E)

HVSL282022F (KEY F)

KEY A - F MOUNTING DIFFERENCES RECEPTACLE



15.55±0.15

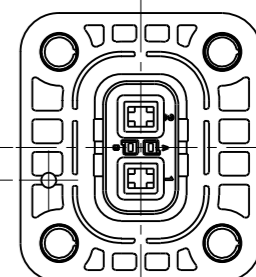
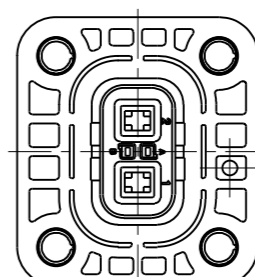
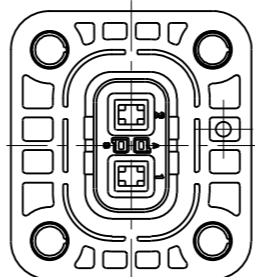
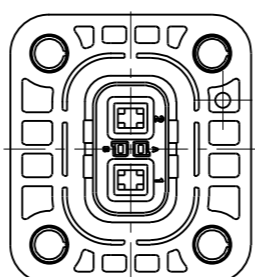
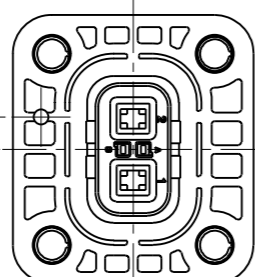
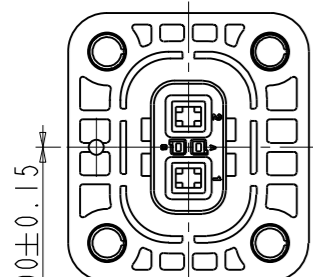
15.55±0.15

15.55±0.15

15.55±0.15

15.55±0.15

15.55±0.15



0.00±0.15

5.50±0.15

8.25±0.15

2.75±0.15

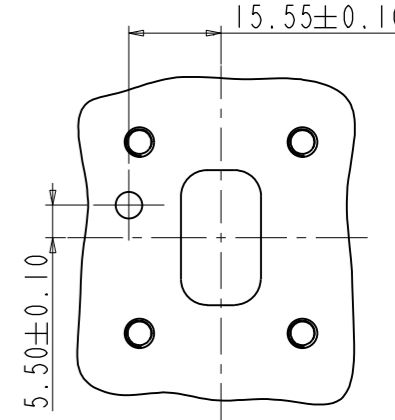
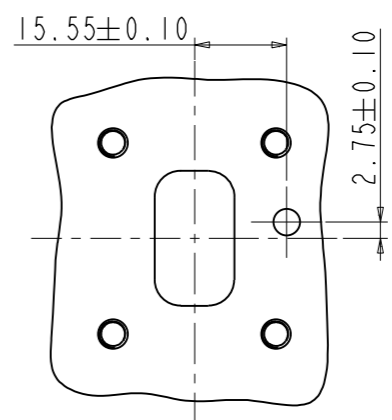
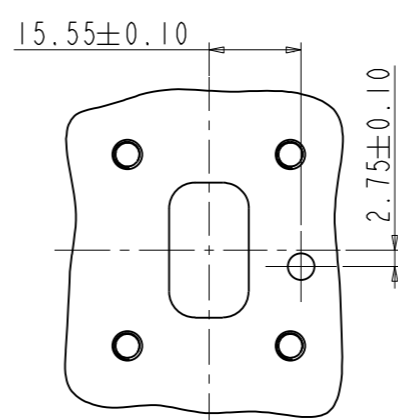
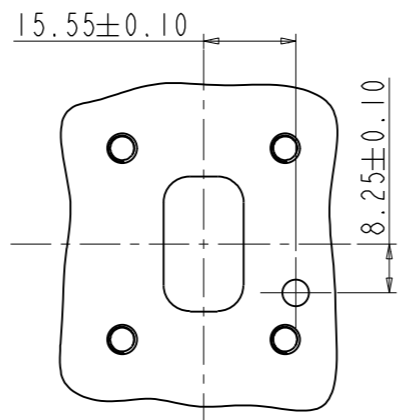
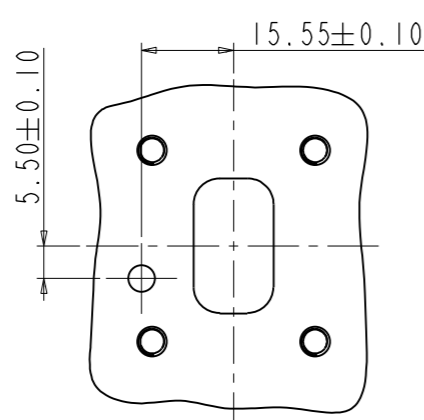
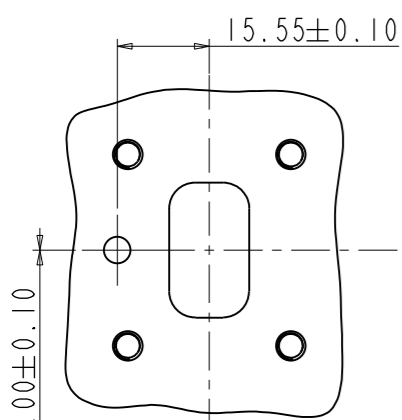
2.75±0.15

5.50±0.15

C-HVSL282022X

C-HVSL282022X

INTERFACE VIEW - MOUNTING SIDE



0.00±0.10

15.55±0.10

5.50±0.10

15.55±0.10

15.55±0.10

8.25±0.10

15.55±0.10

2.75±0.10

15.55±0.10

2.75±0.10

5.50±0.10

15.55±0.10

KEY A MOUNTING INTERFACE

KEY B MOUNTING INTERFACE

KEY C MOUNTING INTERFACE

KEY D MOUNTING INTERFACE

KEY E MOUNTING INTERFACE

KEY F MOUNTING INTERFACE

SIZE	DWG NO.	REV
A3	C-HVSL282022X	K
CODE: 58982	SCALE: 1:1	SHEET 2 OF 2