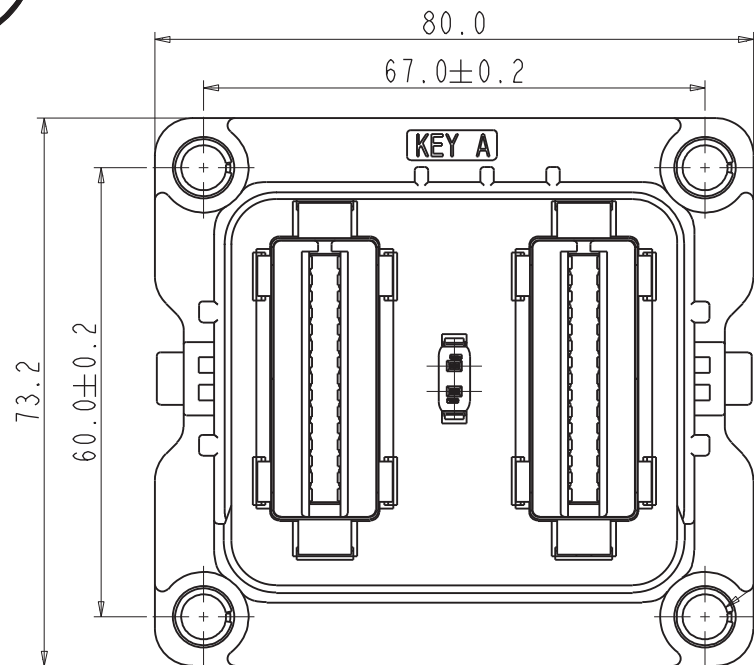


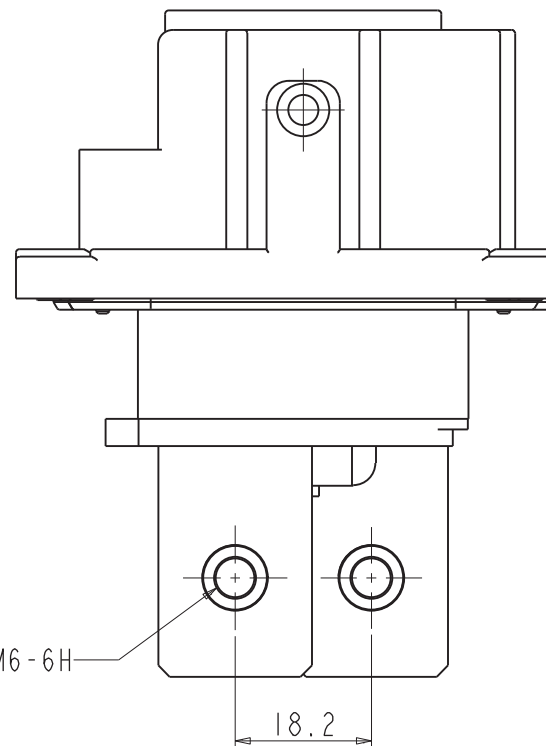
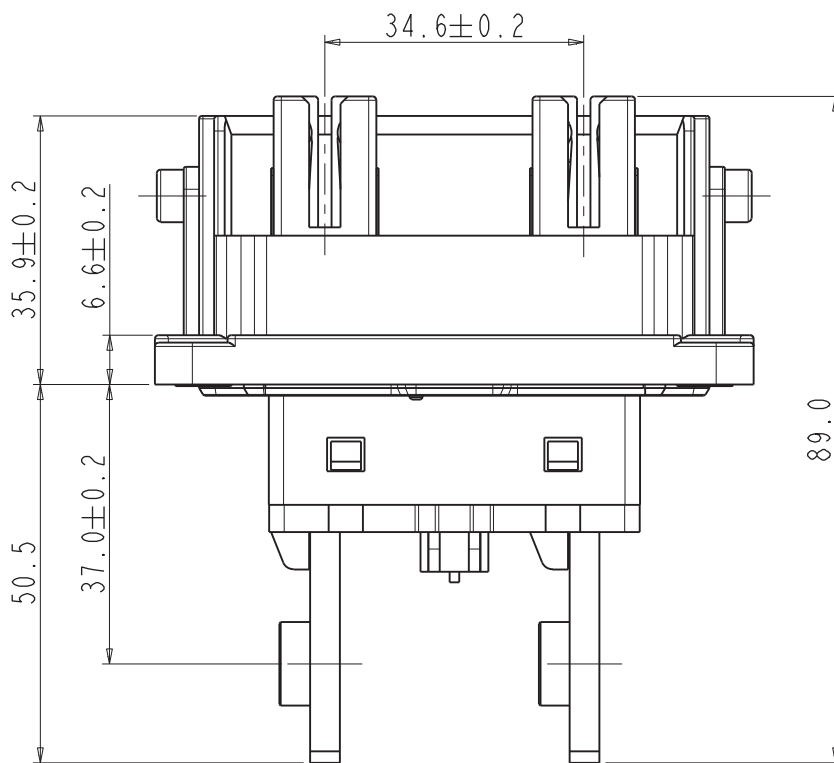
Amphenol PCDSZ  
ORIGINAL  
PDF Format  
R&D

REV	ECN	DESCRIPTION	DATE	MODIFIED
1		PRE- RELEASE	Jul-01-2024	



安费诺精密连接器(深圳)有限公司  
Amphenol PCD Shenzhen  
受控文件  
2024年10月18日

4XM5 MOUNTING SCREW  
TORQUE: 2.5N.m.



TECHNICAL DATA		
CURRENT RATE 95MM <sup>2</sup> WIRE	350A	✦
CURRENT RATE 120MM <sup>2</sup> WIRE	430A	✦
SIGNAL CURRENT	5A MAX	✦
VOLTAGE RATE	POWER: 1000V DC	✦
OPERRATING TEMPERATURE	-40-125°C	NA
DIELECTRIC WITHSTANDING VOLTAGE	POWER: 3000V AC	✦
	SIGNAL: 660V AC	
INSULATION RESISTANCE	>100MΩ	✦
DURABILITY	50 CYCLES	◎
SHIELDING	YES	NA
WATERPROF(MATED CONDITION)	IP67 IP6K9K	✦
UNMATED CONDITION	IP2XB	✦
CORROSION-PROFF GRADE(SALT FOG TEST)	96 HOURS	NA
AMBIENT TEMPERATURE	-40-70°C	NA

APPLICATION:  
POLLUTION DEGREE 2 / 污染等级2  
OVERVOLTAGE CATEGORY II / 过电压类别 II  
INHOMOGENEOUS FIELD / 非均匀电场  
ALTITUDE NO MORE THAN 4000M / 海拔不高于4000M

✦ IS CRITICAL CHARACTERISTIC SYMBOL  
◎ IS IMPORTANT CHARACTERISTIC SYMBOL

HVSLF30022 X X H6 S1  
H6:M6 NUT  
0: WITHOUT SIGNAL  
1: WITH SIGNAL

A: A KEY  
B: B KEY  
C: C KEY  
D: D KEY

DIMENSIONS	TOLERANCES	PROJECTION	TITLE		
ANSI Y14.5M UNITS: MM Pro/E FILE	.X ±0.5 .XX ±0.05 ANGLES ±2°		<b>HVSLF300 RECEPTACLE WITH SHIELDING</b>		
ORIGINAL	THIS DOCUMENT CONTAINS PROPRIETARY INFORMATION WHICH IS THE CONFIDENTIAL PROPERTY OF Amphenol PCD Shenzhen Co. Ltd Amphenol PCD Shenzhen Co. Ltd RESERVES THE RIGHT TO CLARIFY THIS DRAWING				
			CHKD	APPD	
			SIZE	DWG NO.	REV
			A3	C_HVSLF30022XXH6S1	1
			SCALE: 1:1		SHEET 1 OF 3

C\_HVSLF30022XXH6S1

C\_HVSLF30022XXH6S1

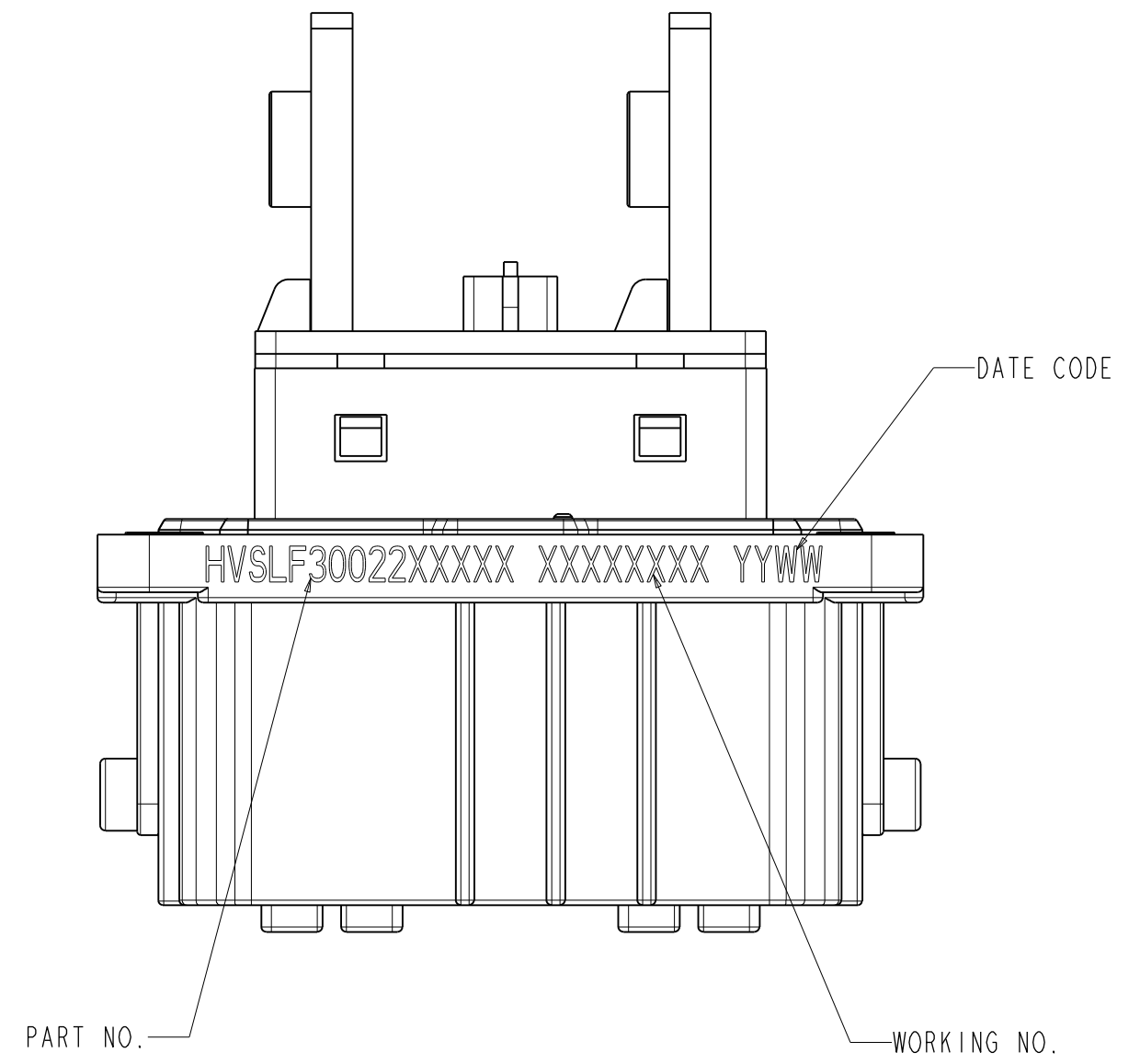
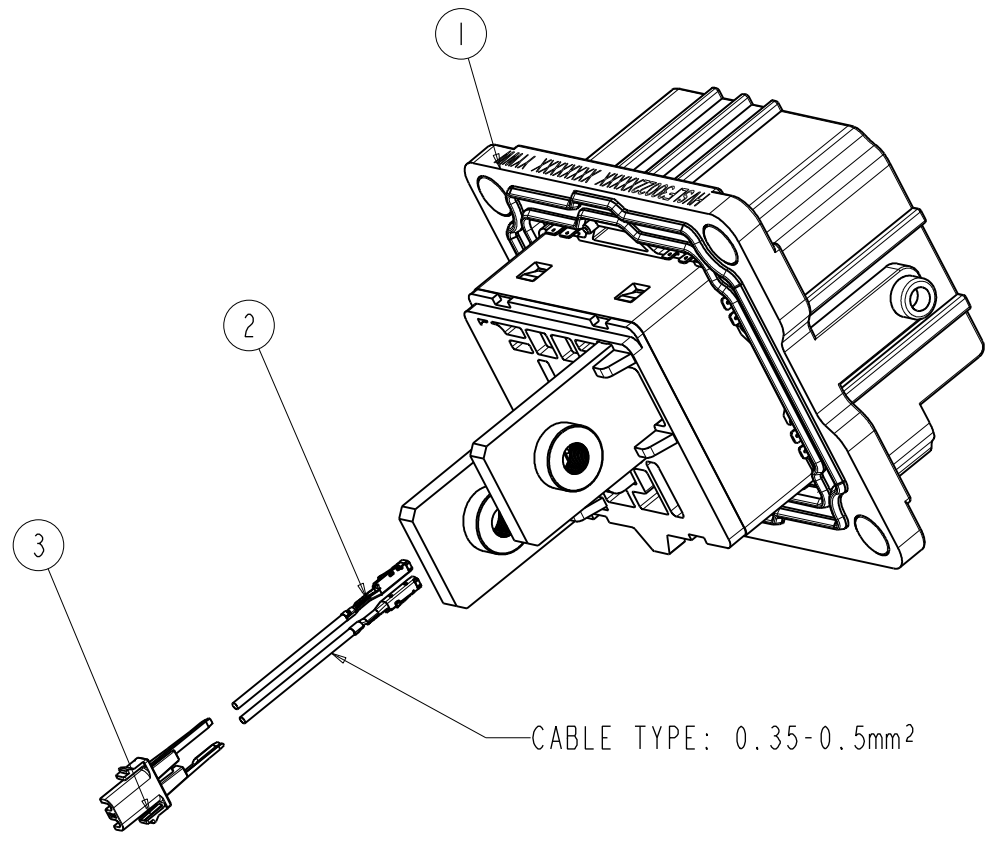
安费诺精密连接器(深圳)有限公司  
Amphenol PCD Shenzhen

---

受 控 文 件

---

2024年10月18日

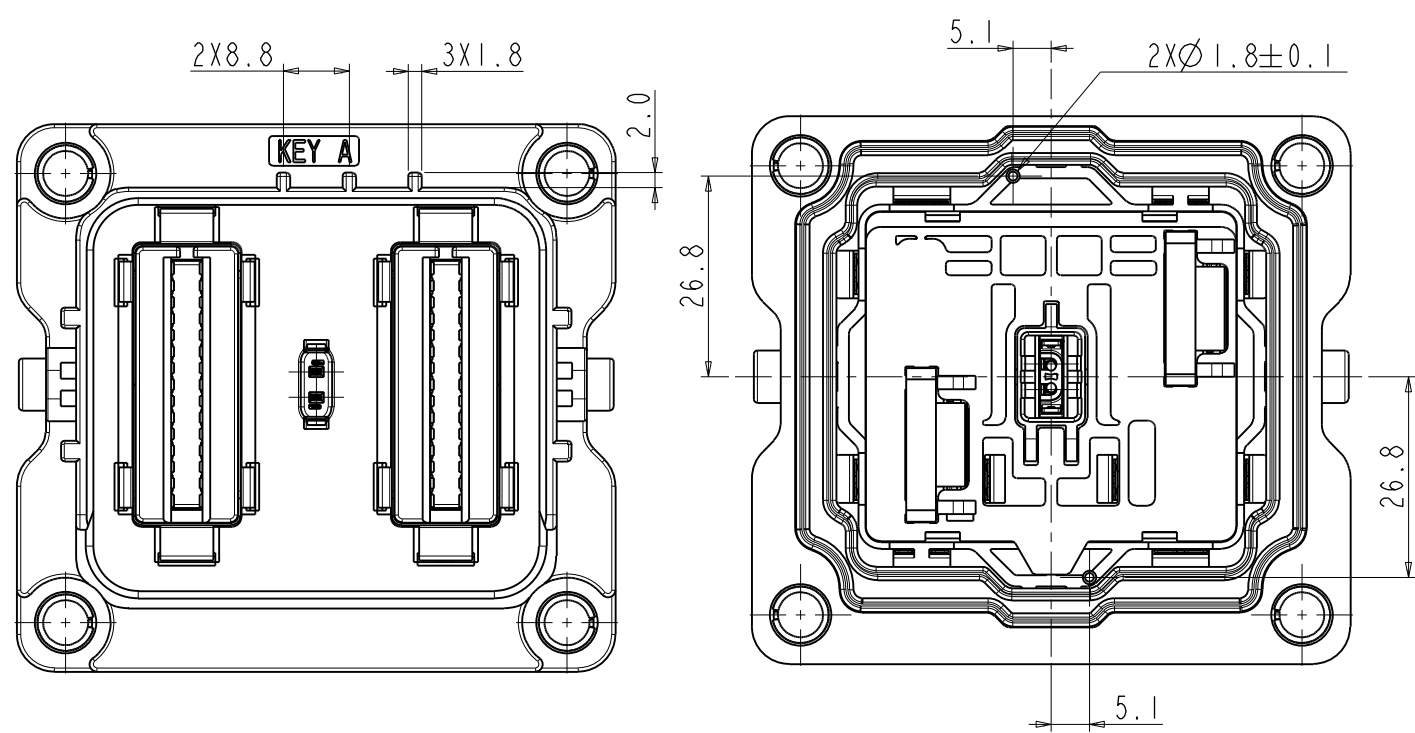


INDEX	P/N	DESCRIPTION	QTY	NOTE
3	P01BP00469	TPA	1	LOOSEN PACKING
2	C310003614S	SIGNAL CONTACT SEPARATELY ORDER	2	
1	HVSLF30022X0H6S1	RECEPTACLE BODY X=(A.B.C.D)	1	

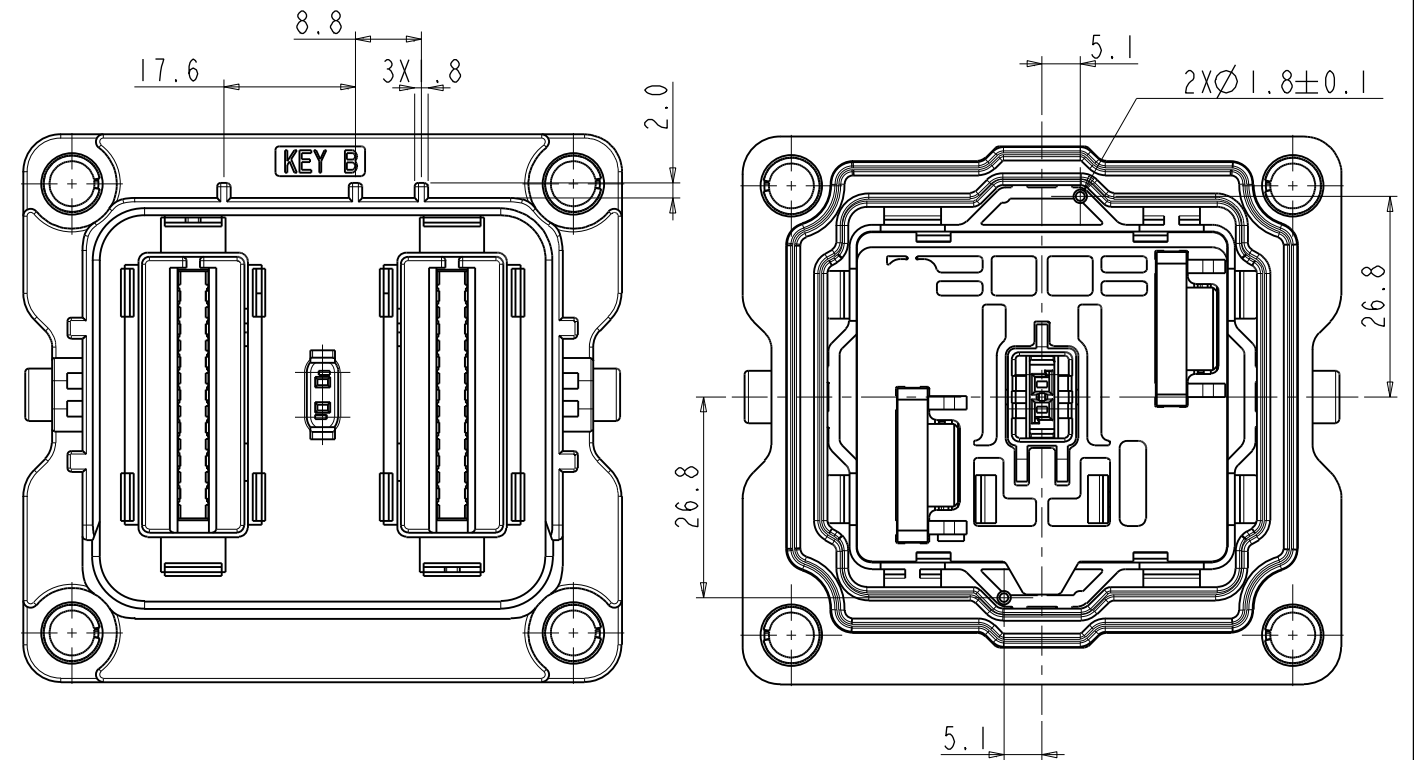
SIZE <b>A3</b>	DWG NO. <b>C_HVSLF30022XXH6S1</b>	REV <b>1</b>
SCALE: 1:1		SHEET 2 OF 3

C\_HVSLF30022XXH6S1

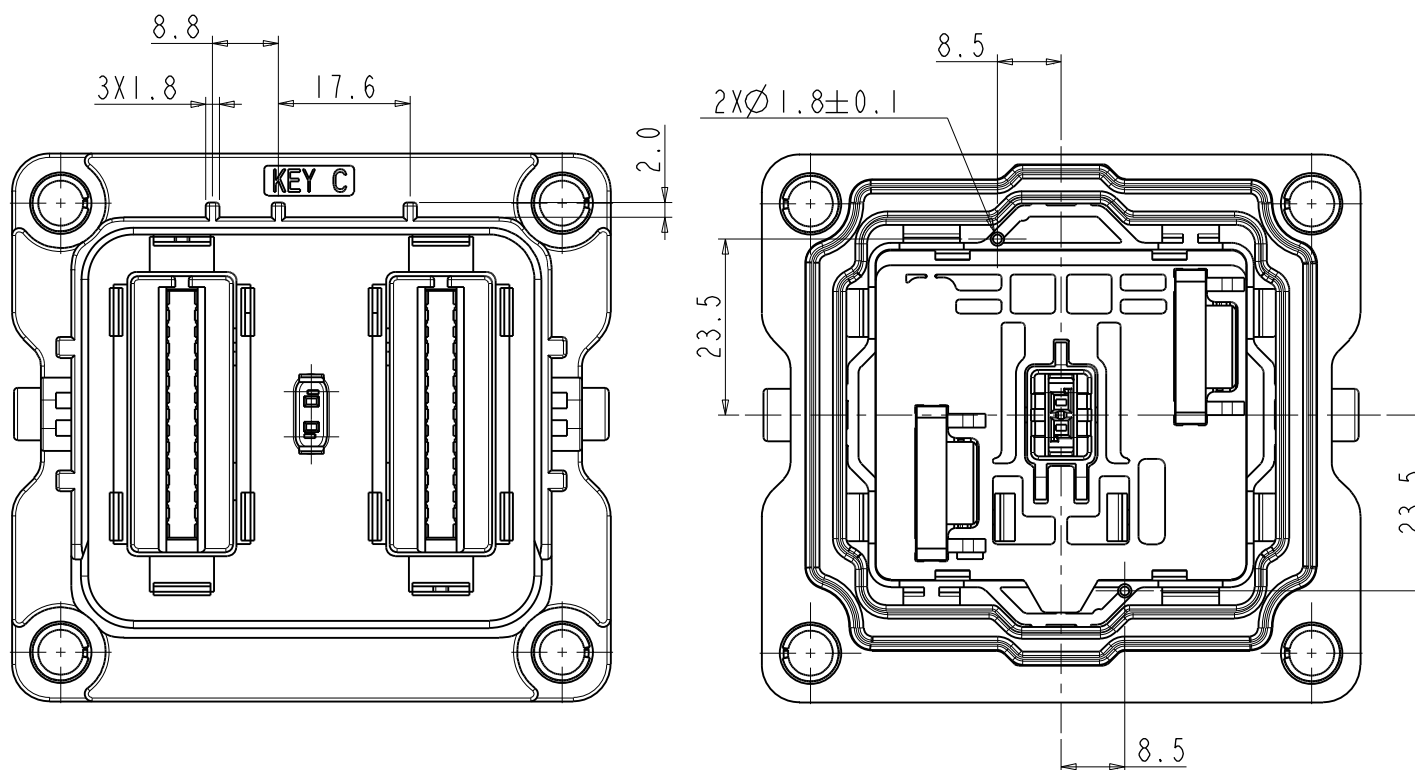
C\_HVSLF30022XXH6S1



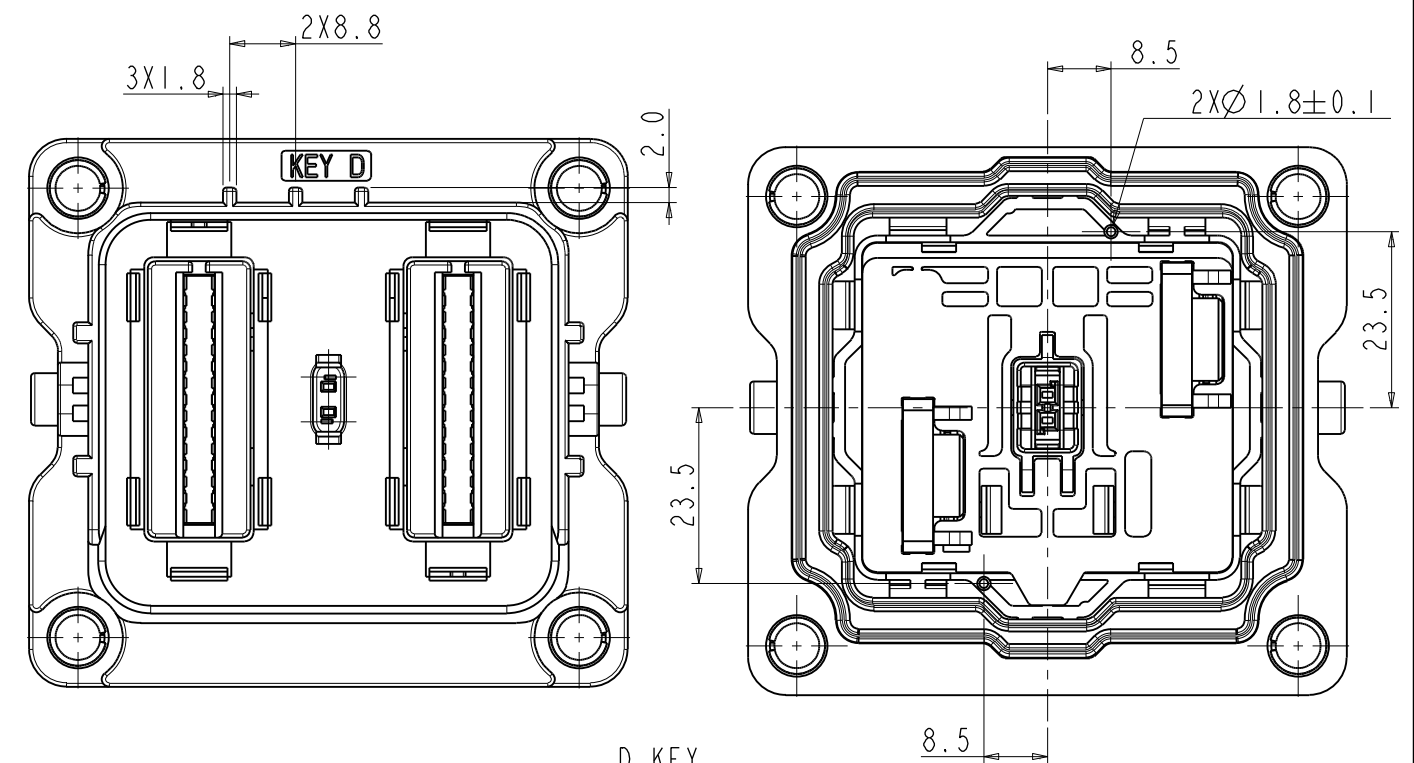
A KEY



B KEY



C KEY



D KEY

C\_HVSLF30022XXH6S1

C\_HVSLF30022XXH6S1

安费诺精密连接器(深圳)有限公司  
Amphenol PCD Shenzhen

受控文件

2024年10月18日

SIZE	DWG NO.	REV
A3	C_HVSLF30022XXH6S1	1
SCALE: 1:1		SHEET 3 OF 3