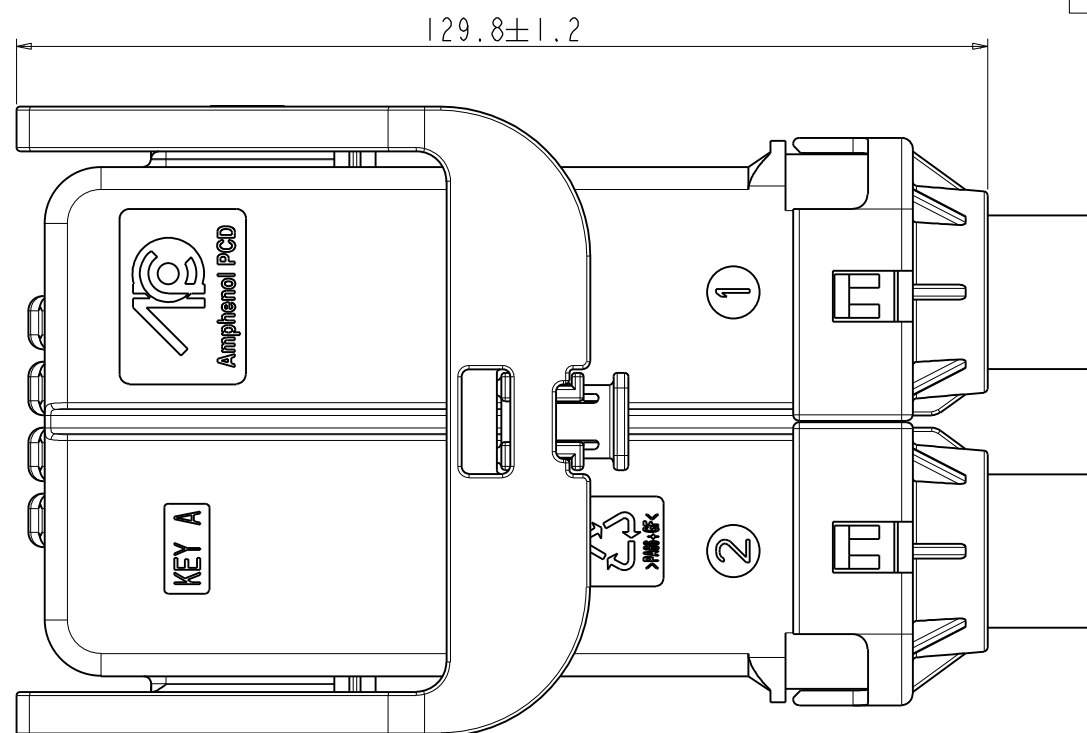
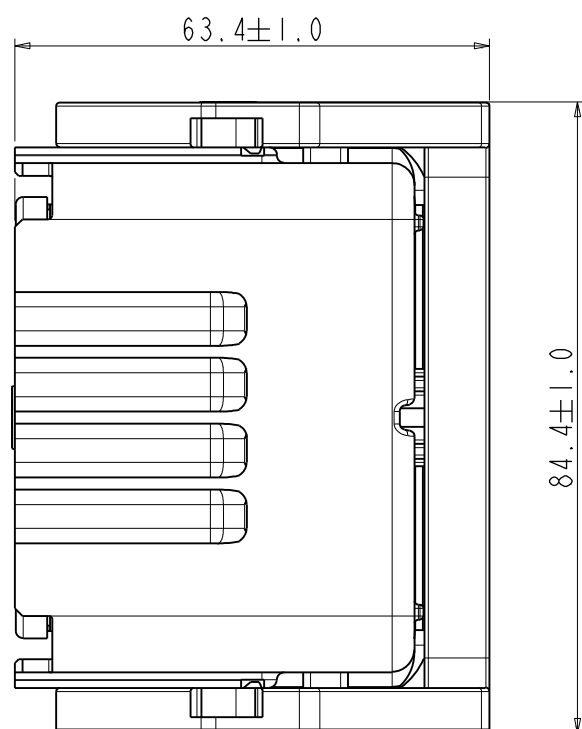
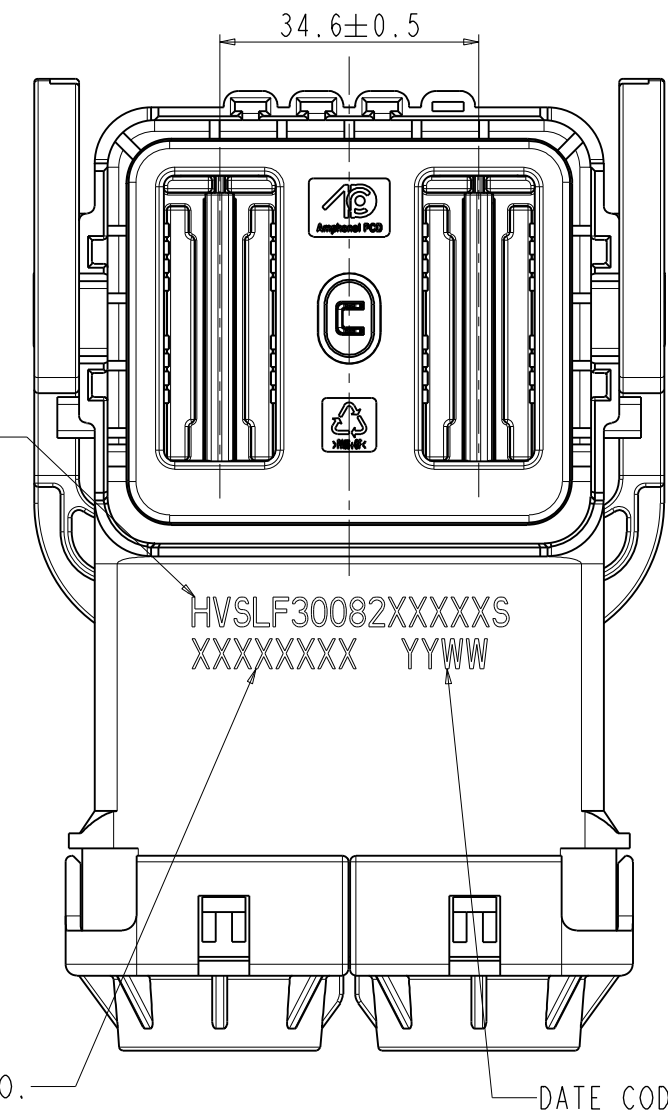


REV	ECN	DESCRIPTION	DATE	MODIFIED
1		PRE- RELEASE	Oct-14-24	Michael Tan

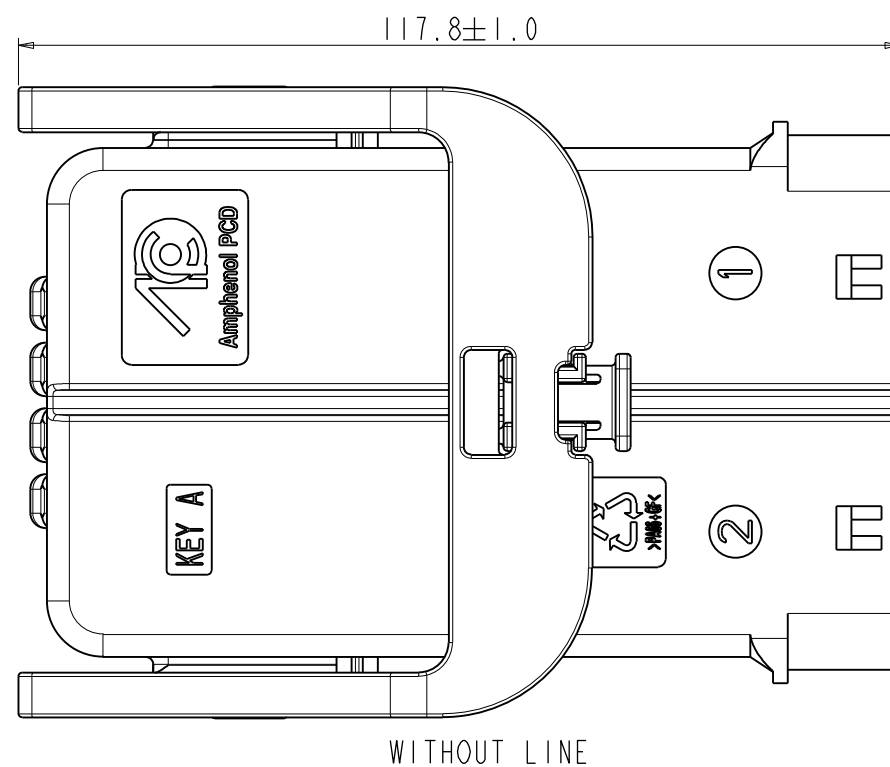
Amphenol PCDSZ
ORIGINAL
PDF Format
R&D



安费诺精密连接器(深圳)有限公司
Amphenol PCD Shenzhen
受控文件
2024年10月18日



TECHNICAL DATA		
CURRENT RATE 95MM ² WIRE	350A	+
CURRENT RATE 120MM ² WIRE	430A	+
SIGNAL CURRENT	5A MAX	+
VOLTAGE RATE	POWER: 1000V DC	+
OPERRATING TEMPERATURE	-40-125°C	NA
DIELECTRIC WITHSTANDING VOLTAGE	POWER: 3000V AC	+
	SIGNAL: 660V AC	
INSULATION RESISTANCE	>100MΩ	+
DURABILITY	50 CYCLES	◎
SHIELDING	YES	NA
WATERPROF(MATED CONDITION)	IP67 IP6K9K	+
UNMATED CONDITION	IP2XB	+
CORROSION-PROFF GRADE(SALT FOG TEST)	96 HOURS	NA
AMBIENT TEMPERATURE	-40-70°C	NA
95mm ² CABLE SIZE(JACKET DIAMETER)	∅20.5±0.4	NA
120mm ² CABLE SIZE(JACKET DIAMETER)	∅22.6±0.4	NA



+ CRITICAL CHARACTERISTICS 关键特性
◎ IMPORTANT CHARACTERISTICS 重要特性

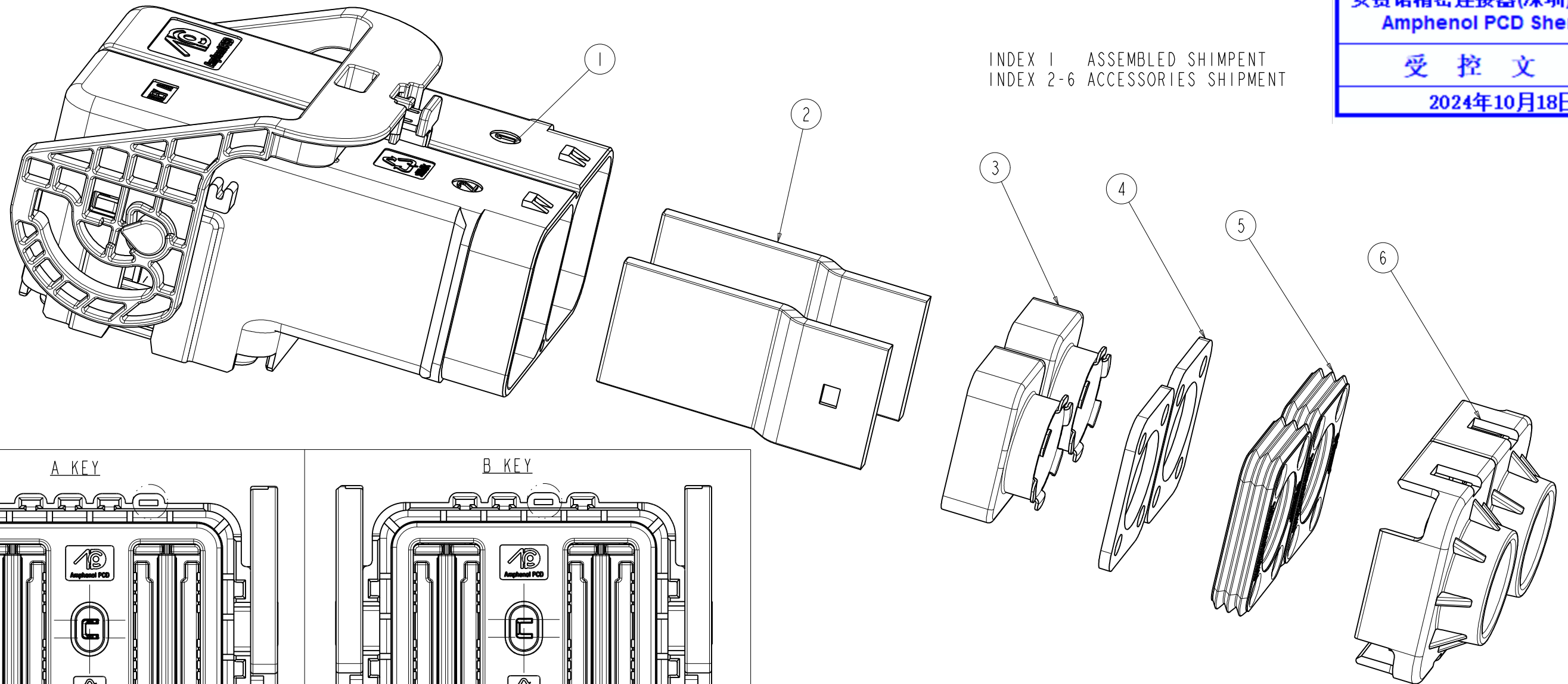
HVSLF30082 X X XXX S
PLUG 90°
A: A KEY
B: B KEY
C: B KEY
D: D KEY
SHIELDED
095: 95mm² CABLE
120: 120mm² CABLE
0: WITHOUT SIGNAL
1: WITH SIGNAL

DIMENSIONS	TOLERANCES	PROJECTION	TITLE		
ANSI Y14.5M UNITS: MM Pro/E FILE	.X ±0.5 .XX ±0.05 ANGLES ±2°		Amphenol PCD Shenzhen		
ORIGINAL	THIS DOCUMENT CONTAINS PROPRIETARY INFORMATION WHICH IS THE CONFIDENTIAL PROPERTY OF Amphenol PCD Shenzhen Co. Ltd Amphenol PCD Shenzhen Co. Ltd RESERVES THE RIGHT TO CLARIFY THIS DRAWING	ENGR Michael Tan Oct-14-2024 CHKD <i>Chason.Wang</i> APPD <i>King.2</i>	SIZE	DWG NO.	REV
			A3	C_HVSLF30082XXXXXS	1
			SCALE: 1:1	SHEET 1 OF 2	

C_HVSLF30082XXXXXS

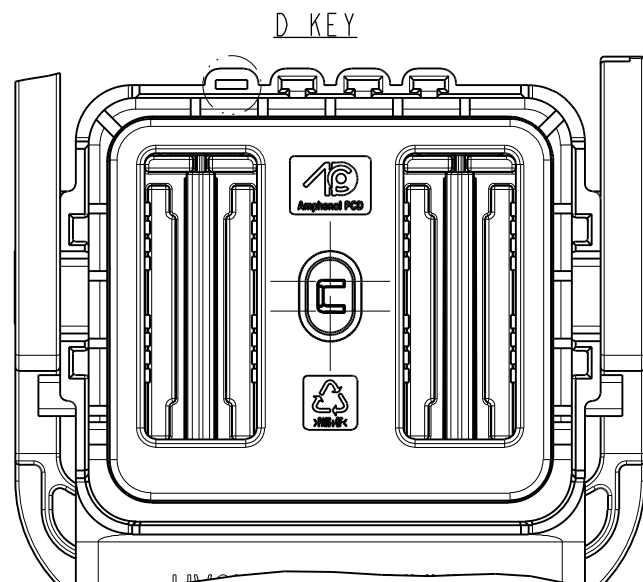
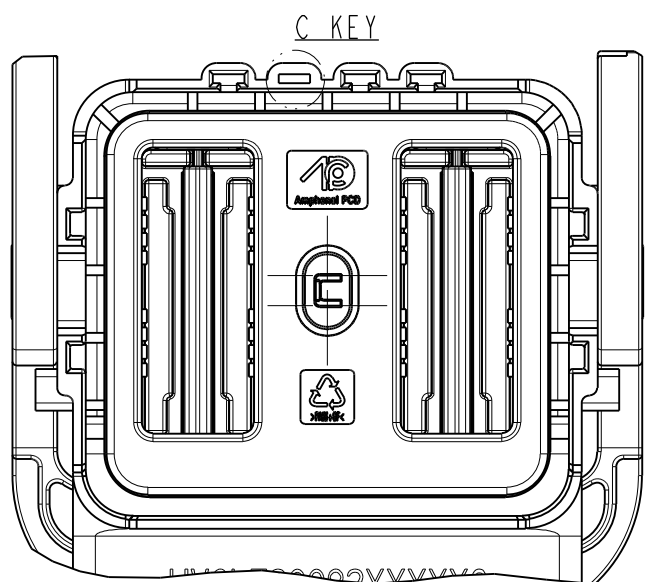
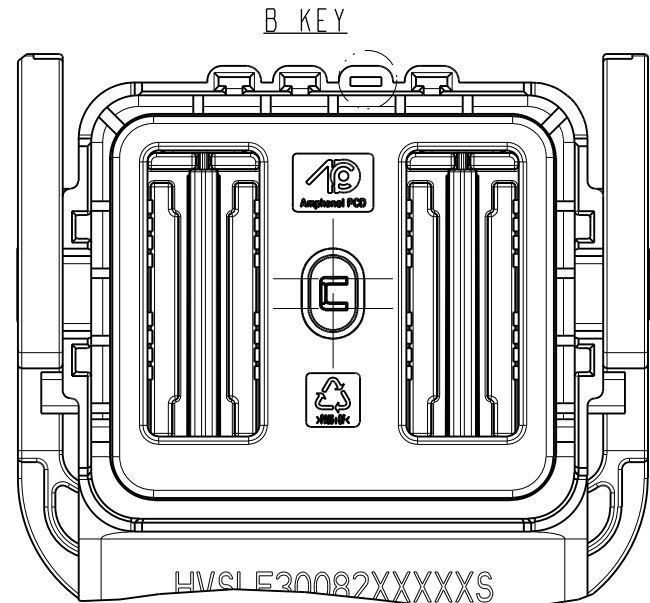
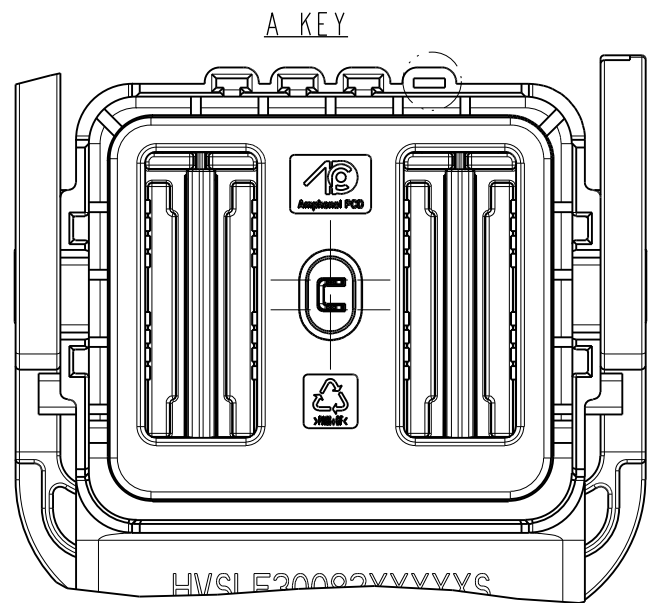
C_HVSLF30082XXXXXS

INDEX 1 ASSEMBLED SHIMPENT
INDEX 2-6 ACCESSORIES SHIPMENT



C.HVSLF30082XXXXXS

C.HVSLF30082XXXXXS



INDEX	P/N	DESCRIPTION	QTY	NOTE
6	P01BP01157XX	END CAP XX=(01,02)	2	01:95mm2 CABLE 02:120mm2 CABLE
5	P01BR01112XX	CABLE SEAL XX=(01,02)	2	01:95mm2 CABLE 02:120mm2 CABLE
4	P01BP01214	BAFFLE	2	
3	P01BS00581XX	SHIELDING RING XX=(01,02)	2	01:95mm2 CABLE 02:120mm2 CABLE
2	P01BS00585	POWER CONTACT	2	
1	HVSLF30082XYS	PLUG BODY X=(A,B,C,D)KEY Y=(0,1)	1	0:WITHOUT SIGNAL 1:WITH SIGNAL

SIZE A3	DWG NO. C.HVSLF30082XXXXXS	REV 1
SCALE: 1:1		SHEET 2 OF 2