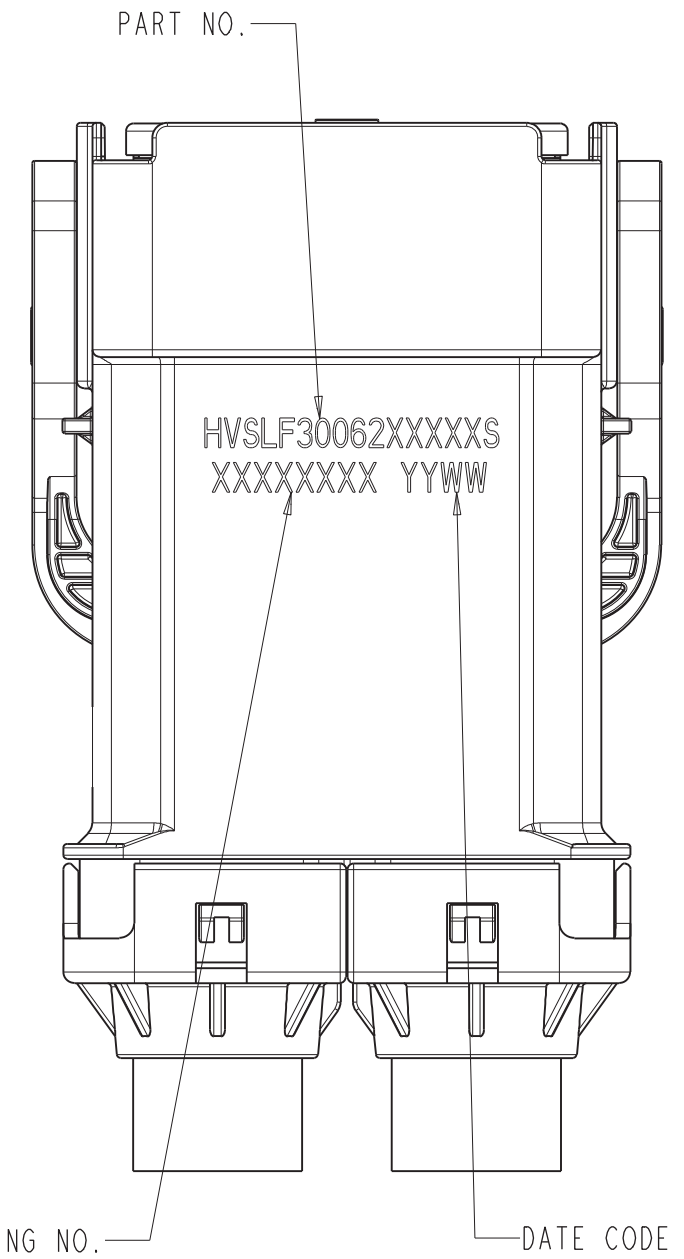
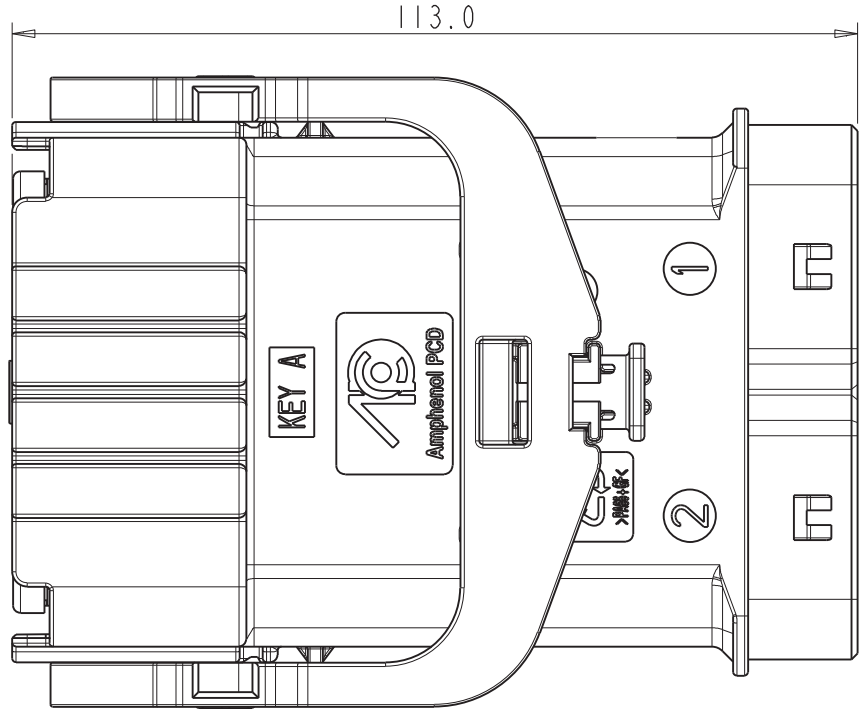
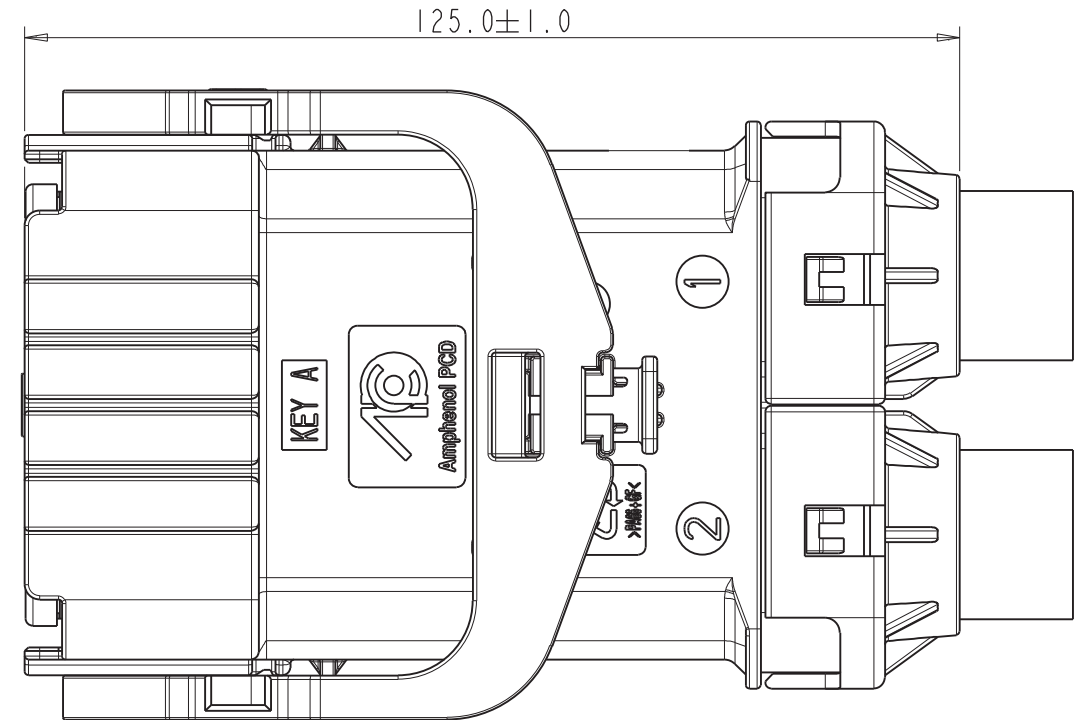
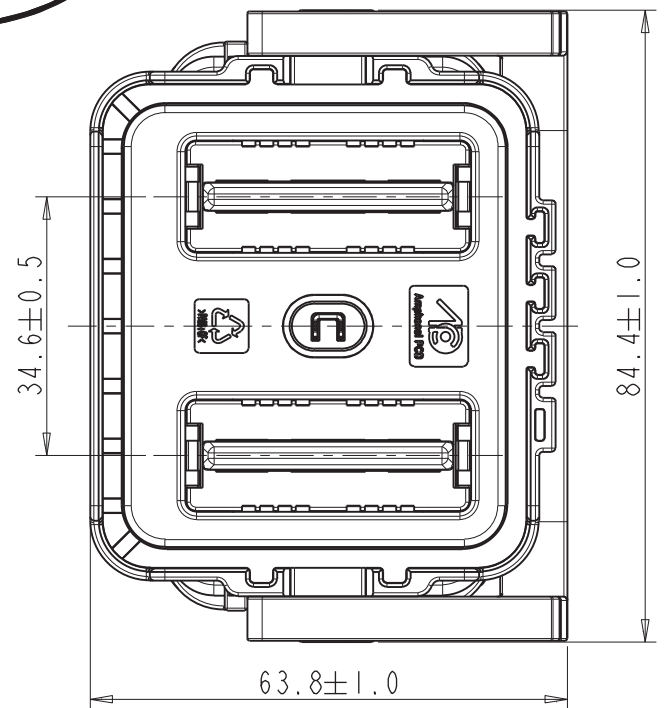


REV	ECN	DESCRIPTION	DATE	MODIFIED
1		PRE- RELEASE	Nov-13-2024	

Amphenol PCD SZ  
ORIGINAL  
PDF Format  
R&D

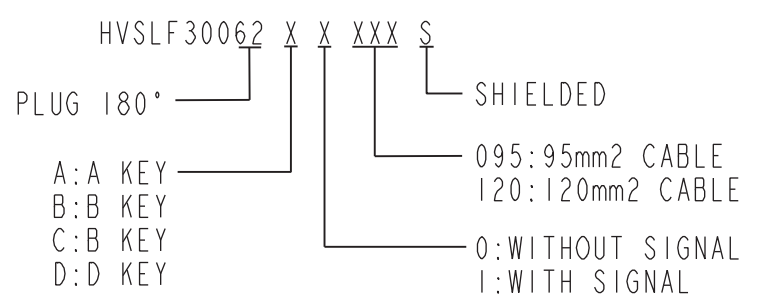


C\_HVSLF30062XXXXXS

TECHNICAL DATA

CURRENT RATE 95MM <sup>2</sup> WIRE	350A	+
CURRENT RATE 120MM <sup>2</sup> WIRE	430A	+
SIGNAL CURRENT	5A MAX	+
VOLTAGE RATE	POWER:1000V DC	+
OPERRATING TEMPERATURE	-40-125°C	NA
DIELECTRIC WITHSTANDING VOLTAGE	POWER:3000V AC	+
	SIGNAL:660V AC	
INSULATION RESISTANCE	>100MΩ	+
DURABILITY	50 CYCLES	⊙
SHIELDING	YES	NA
WATERPROF (MATED CONDITION)	IP67 IP6K9K	+
UNMATED CONDITION	IP2XB	+
CORROSION-PROFF GRADE(SALT FOG TEST)	96 HOURS	NA
AMBIENT TEMPERATURE	-40-70°C	NA
95mm <sup>2</sup> CABLE SIZE(JACKET DIAMETER)	∅20.5±0.4	NA
120mm <sup>2</sup> CABLE SIZE(JACKET DIAMETER)	∅22.6±0.4	NA

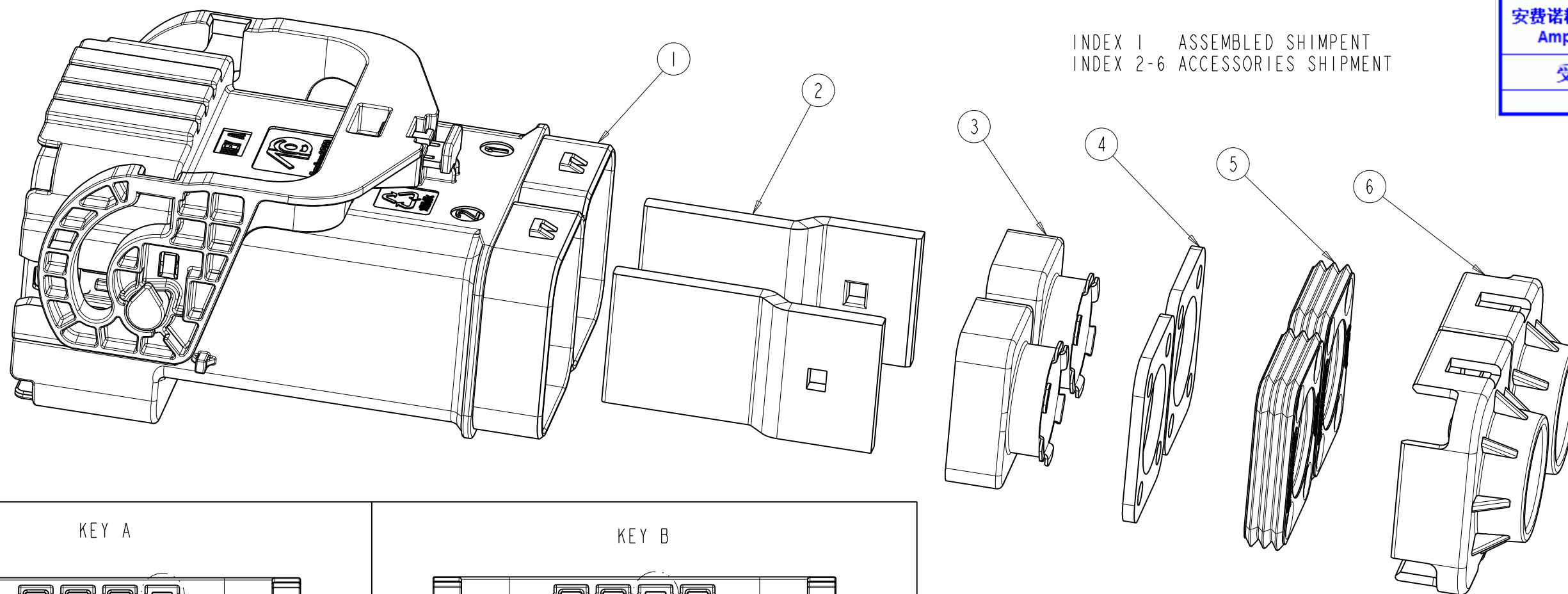
+ CRITICAL CHARACTERISTICS 关键特性  
⊙ IMPORTANT CHARACTERISTICS 重要特性



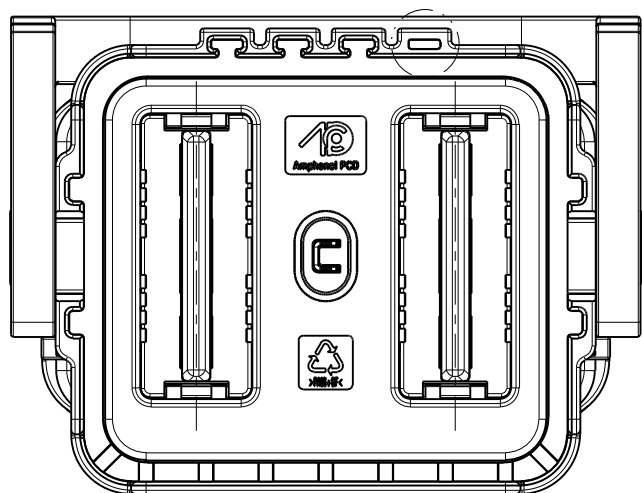
DIMENSIONS	TOLERANCES	PROJECTION	TITLE
ANSI Y14.5M UNITS: MM Pro/E FILE	.X ±0.5 .XX ±0.05 ANGLES ±2°		<b>HVSLF300 SERIES PLUG 180° 350-430A SHIELDED</b>
ORIGINAL	<p>THIS DOCUMENT CONTAINS PROPRIETARY INFORMATION WHICH IS THE CONFIDENTIAL PROPERTY OF Amphenol PCD Shenzhen Co. Ltd Amphenol PCD Shenzhen Co. Ltd RESERVES THE RIGHT TO CLARIFY THIS DRAWING</p>	ENGR Nov-13-2024	SIZE <b>A3</b>
		CHKD APPD	DWG NO. <b>C_HVSLF30062XXXXXS</b>
			REV <b>1</b>
			SCALE: 1:1 SHEET 1 OF 2

C\_HVSLF30062XXXXXS

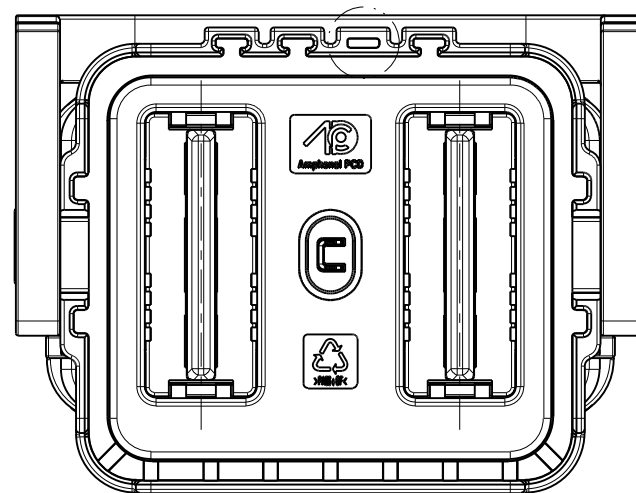
INDEX 1 ASSEMBLED SHIPMENT  
INDEX 2-6 ACCESSORIES SHIPMENT



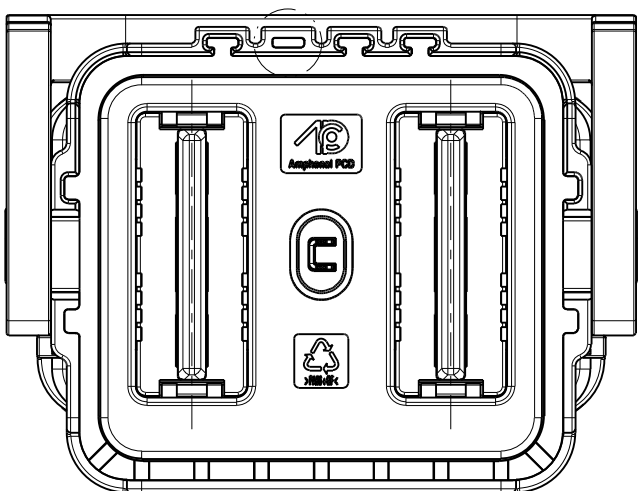
KEY A



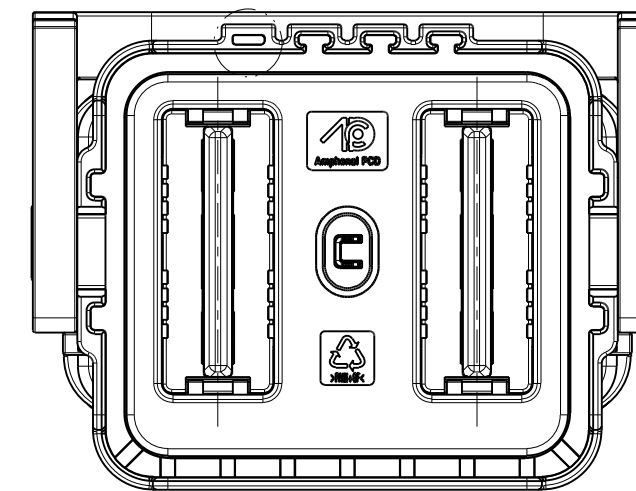
KEY B



KEY C



KEY D



6	P0IBP01157XX	END CAP XX=(01,02)	2	01: 95mm <sup>2</sup> CABLE 02: 120mm <sup>2</sup> CABLE
5	P0IBR01112XX	CABLE SEAL XX=(01,02)	2	01: 95mm <sup>2</sup> CABLE 02: 120mm <sup>2</sup> CABLE
4	P0IBP01214	BAFFLE	2	
3	P0IBS00581XX	SHIELDING RING XX=(01,02)	2	01: 95mm <sup>2</sup> CABLE 02: 120mm <sup>2</sup> CABLE
2	P0IBS00583	POWER CONTACT	2	
1	HVSLF30062XYS	PLUG BODY X=(A,B,C,D)KEY Y=(0,1)	1	0: WITHOUT SIGNAL 1: WITH SIGNAL
INDEX	P/N	DESCRIPTION	QTY	NOTE

SIZE	DWG NO.	REV
A3	C.HVSLF30062XXXXXS	1
SCALE: 1:1		SHEET 2 OF 2

C.HVSLF30062XXXXXS

C.HVSLF30062XXXXXS