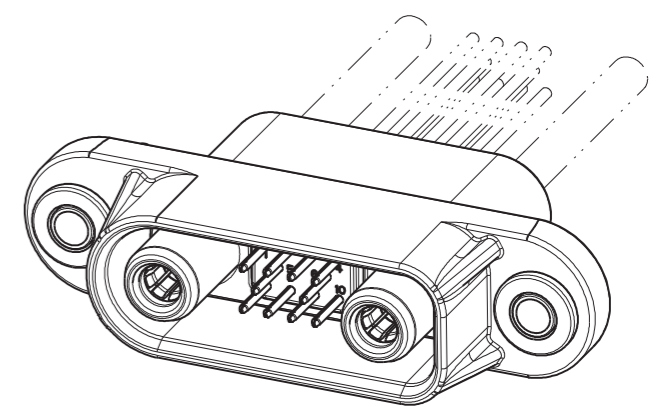
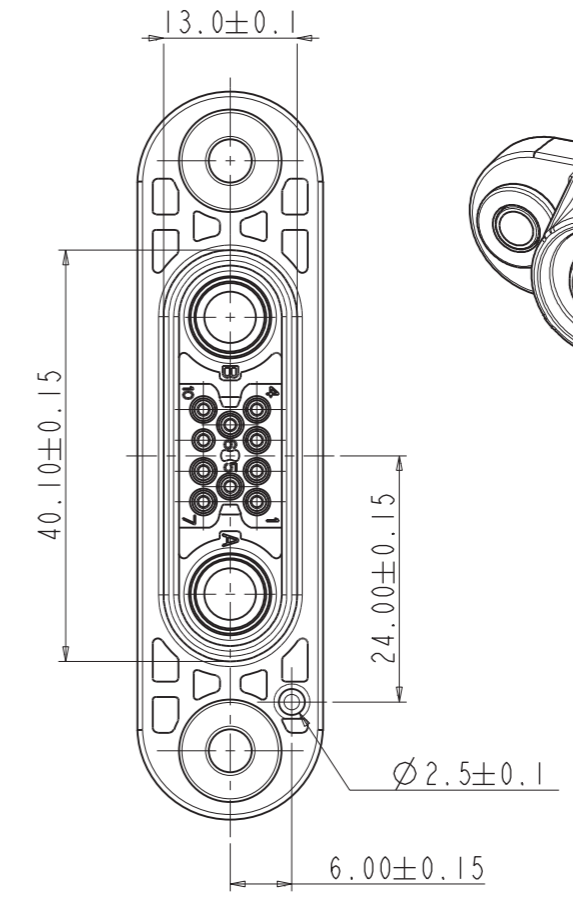
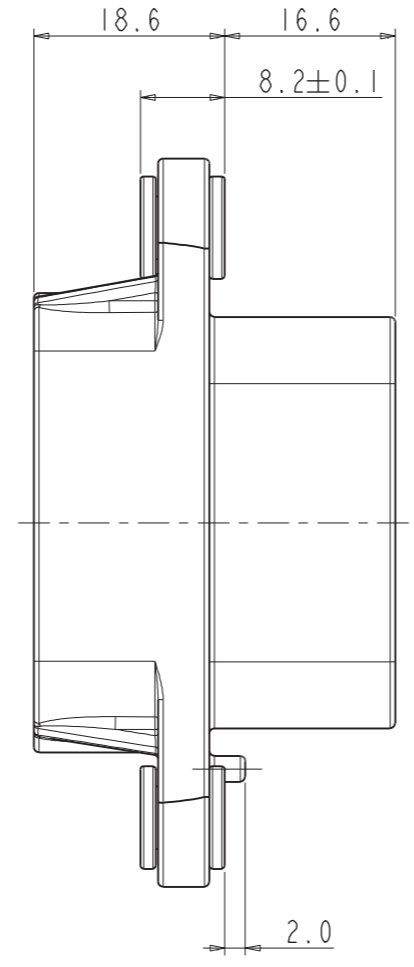
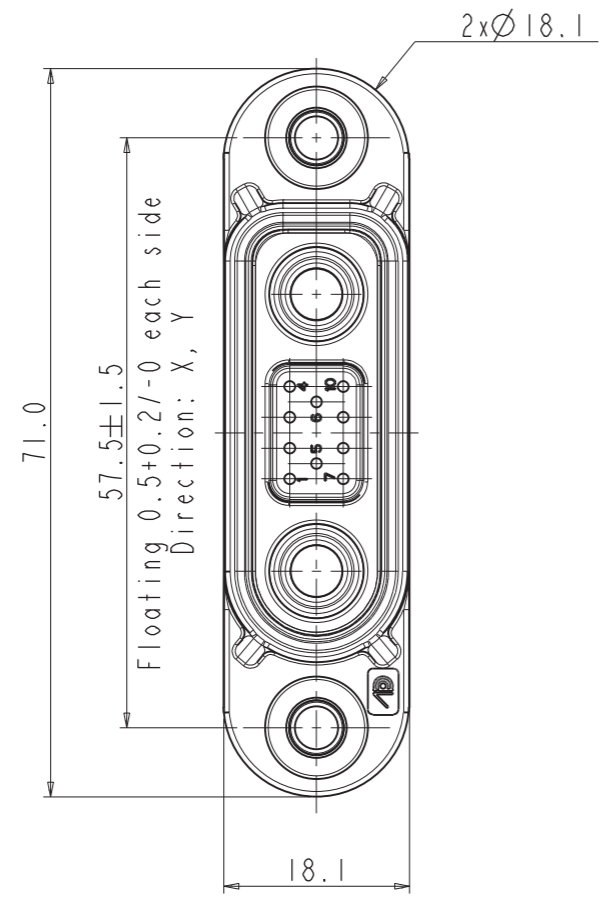


C-HEV060AM2P10SW

Amphenol PCD SZ
ORIGINAL
PDF Format
R&D

REV	ECN	DESCRIPTION	DATE	MODIFIED
1		PRE RELEASE	Nov-23-20	



SCALE 6:5

C-HEV060AM2P10SW

C-HEV060AM2P10SW

TECHINCAL DATA		SPECIAL CHARACTERISTICS SYMBOL
VOLTAGE RATING	SIGNAL CONTACT 24V DC	+
	POWER CONTACT 800V AC/DC	+
WITHSTAND VOLTAGE	SIGNAL CONTACT 660V AC	+
	POWER CONTACT 2600V AC	+
INSULATION RESISTANCE	1000V/DC 200MΩ Min	+
CURRENT RATING	SIGNAL CONTACT 1A	+
	POWER CONTACT 40A(6mm ²) 60A(10mm ²)	+
WATER PRROF (MATED CONDITION)	IP67	+
SHIELDING	NO	NA
MAX MATING CYCLES	3000 TIMES	◎
OPERRATING TEMPERATURE	-40~110°C	NA
AMBIENT TEMPERATURE	-40~55°C	NA

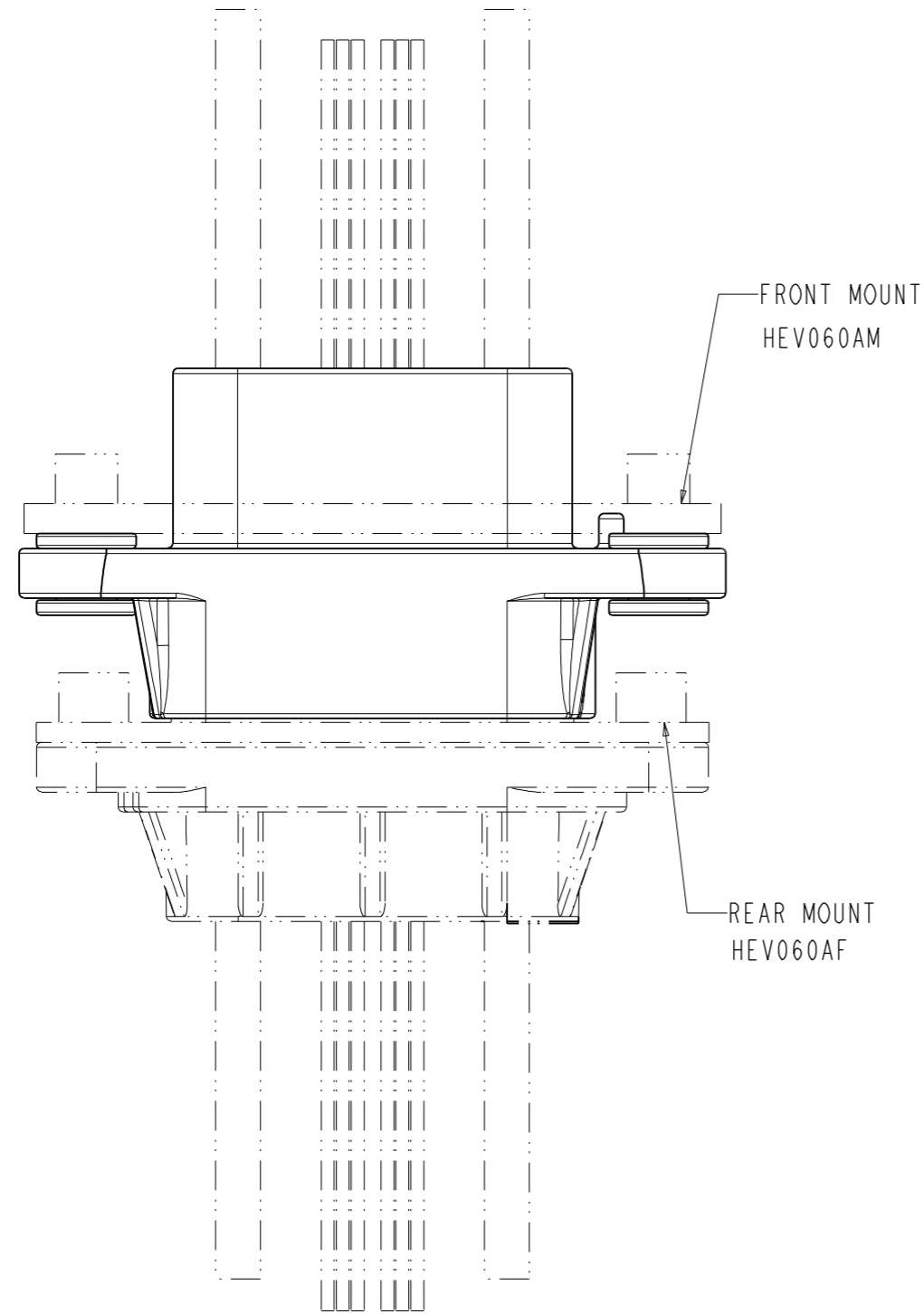
- *NOTES:
 1. CONTACT SHOULD BE ORDERED SEPARATELY, DETAIL SEE RIGHT TABLE.
 2. WIRE RANGE: POWER: 6MM²-10MM². OD OF NO SHIELDED WIRE: ≤Ø7.0mm.
 SIGNAL: 0.35mm²; OD OF WIRE: Ø1.1mm-Ø1.75mm.
 + 3. ROHS COMPLIANCE
 + IS CRITICAL CHARACTERISTIC SYMBOL
 ◎ IS IMPORTANT CHARACTERISTIC SYMBOL

安费诺精密连接器(深圳)有限公司
Amphenol PCD Shenzhen
受控文件
2020年12月10日

APPLICATION:
 POLLUTION DEGREE 2 / 污染等级2
 OVERVOLTAGE CATEGORY II / 过电压类别 II
 INHOMOGENEOUS FIELD / 非均匀电场
 ALTITUDE NO MORE THAN 2000M / 海拔不高于2000M

SEPARATELY ORDERING PARTS		
WIRE SIZE CHOOSE	POWER CONTACT (USAGE)	HVIL CONTACT (USAGE)
6&10mm ²	C3100235021 (2PCS)	P01BS00126 (10PCS)

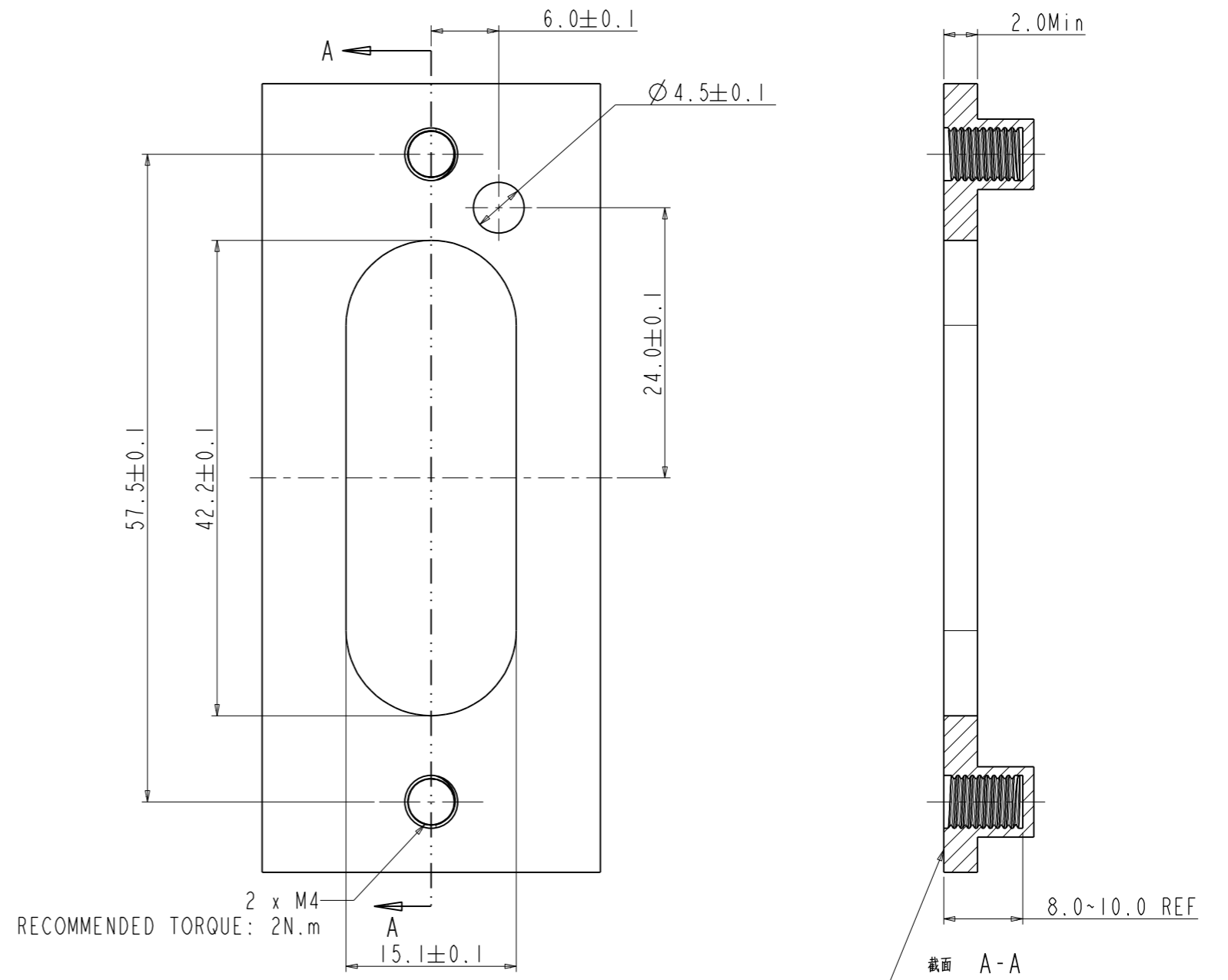
DIMENSIONS	TOLERANCES	PROJECTION	TITLE		
ANSI Y14.5M UNITS: MM Pro/E FILE	.X ±0.5 .XX ±0.05 ANGLES ±2°		HEV060 2POWER ADD 10SIGNALS PLUG		
ORIGINAL	THIS DOCUMENT CONTAINS PROPRIETARY INFORMATION WHICH IS THE CONFIDENTIAL PROPERTY OF Amphenol PCD Shenzhen Co. Ltd Amphenol PCD Shenzhen Co. Ltd RESERVES THE RIGHT TO CLARIFY THIS DRAWING		ENGR	Jun-17-20	
			CHKD	SIZE	DWG NO.
			APPD	A3	C-HEV060AM2P10SW
				CODE: 58982	SCALE: 7:5
				SHEET 1	OF 2



比例 3:2

INSTALLATION PICTURE

FRONT MOUNTING PANEL RECOMMENDATION



2 x M4
RECOMMENDED TORQUE: 2N.m

比例 2:1

SEAL TOUCH SURFACE $\sqrt{1.6}$, $\square:0.1$
THIS MOUNTING TOUCHED AREA SHOULD BE CLEAN

NOTE: CONNECTORS AND MOUNTING PANELS ARE NOT WATERPROOF

SIZE	DWG NO.	REV
A3	C-HEV060AM2P10SW	1
CODE: 58982	SCALE: 7:5	SHEET 2 OF 2