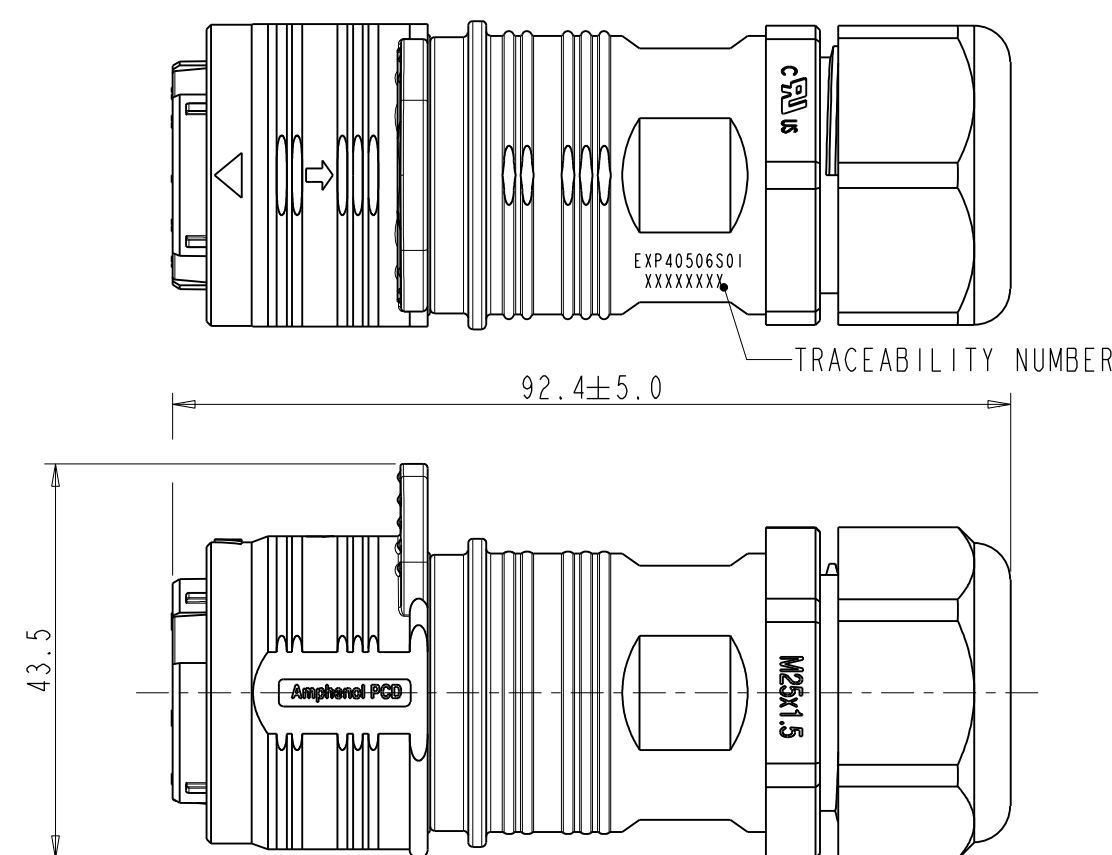
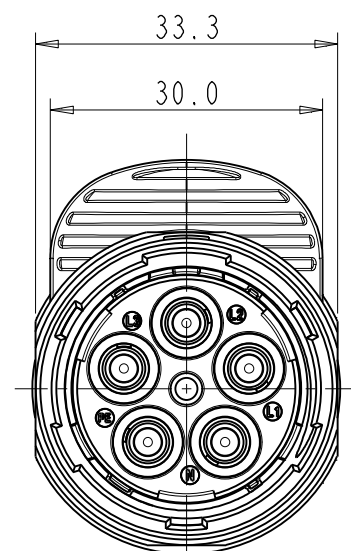
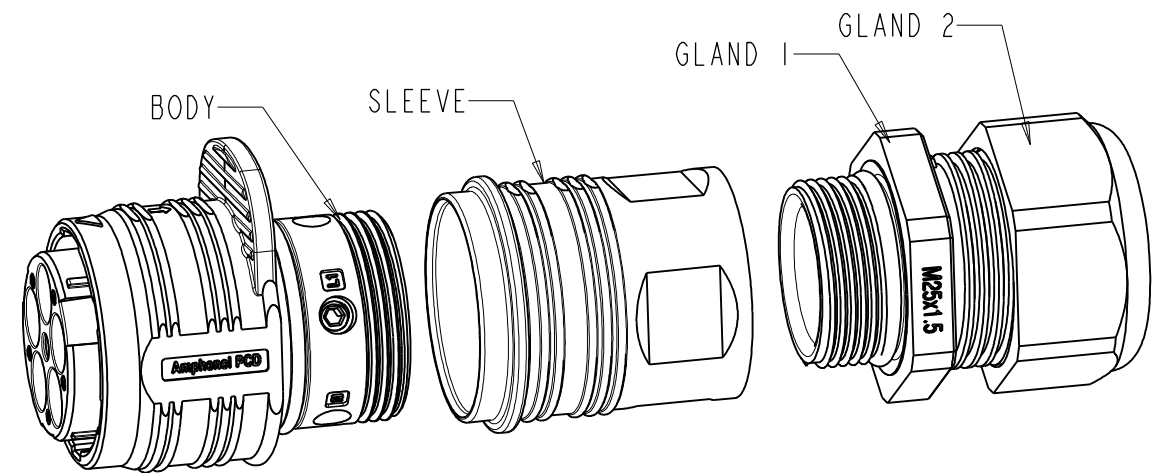
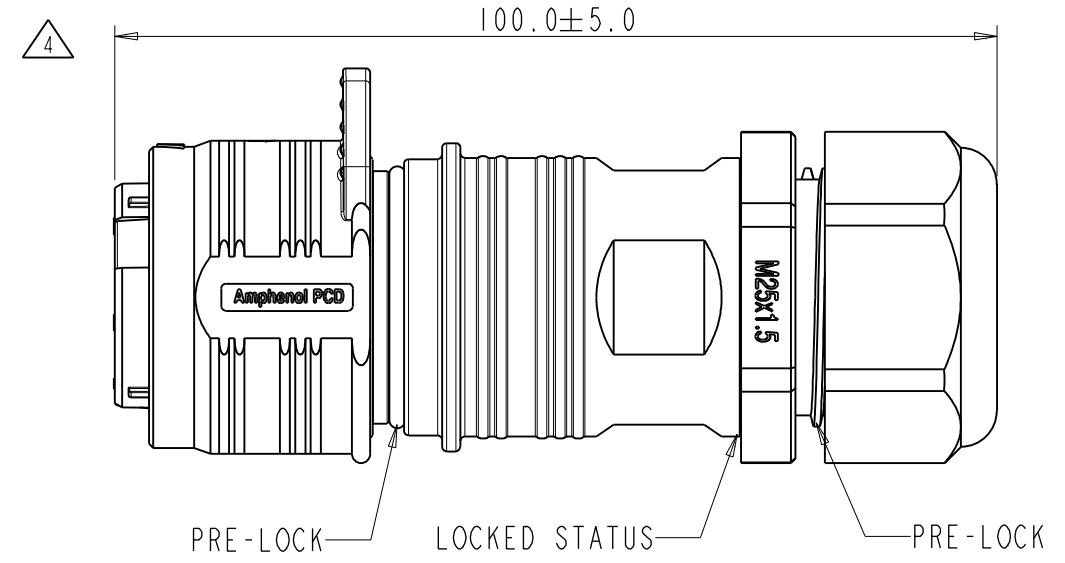


REV	ECN	DESCRIPTION	DATE	MODIFIED
1		PRE- RELEASE	Sep-15-23	
2	C777N	CHANGE THE PRINTING POSITION AND INCREASE THE RECOMMENDED LOCKING TORQUE OF THE CURRENT TERMINAL	Jan-19-24	
3	C7843N	UPDATE THE TORQUE RANGE	Feb-28-24	
4	C8272N	ADD TERMINAL BREAK TORQUE	Aug-28-24	



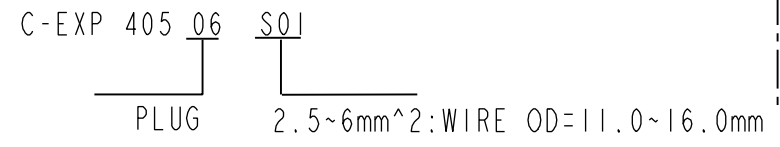
8. SHIP STATUS DESCRIPTION



I. TECHNICAL DATA:

TECHNICAL DATA		REMARK
VOLTAGE (OVERVOLTAGE CATEGORY 1/ POLLUTION DEGREE 2)	400V AC OR 560V DC	+
WITHSTAND VOLTAGE	2120V AC	+
INSULATION RESISTANCE	200 MΩ MIN @25°C	+
RATED CURRENT (MULTI COPPER CABLE)	4~6mm ² :32A @ AMBIENT 70°C 2.5mm ² :23A @ AMBIENT 70°C	+
RATED CURRENT (SINGLE HARD COPPER CABLE)	2.5~4mm ² : 18A @ AMBIENT 70°C ⁴	+
WATER PROOF (MATED CONDITION)	IP65	+
IP FOR FINGER TOUCH (UNMATED CONDITION)	IP2XB	+
SHIELDING FUNCTION	NO	
DURABILITY	50 CYCLES	◎
AMBIENT TEMPERATURE	-40-70°C	
OPERATING TEMPERATURE	-40-125°C	
RoHS & REACH	YES	+

2. P/N INSTRUCTION:



3. ASSEMBLY REQUIREMENT:

- ALL PARTS NEED TO BE ASSEMBLED TOGETHER
- 4. TERMINAL LOCKING TORQUE : 1.2N.m ± 10% (IEC998/IEC60947)
- TERMINAL BREAK TORQUE : 2N.m ⁴
- 5. LOCKING TORQUE OF BODY AND SLEEVE(M28) : 1.5~2.5 N.m
- 6. LOCKING TORQUE OF SLEEVE AND GLAND 1 (HEAD,M25) : 3.5~5 N.m
- 7. LOCKING TORQUE OF GLAND 1 AND GLAND 2 (END,M28): 5~11 N.m
- 1).CABLE OD ∅11~12mm 8~11 N.m
- 2).CABLE OD ∅13~14mm 6~8 N.m
- 3).CABLE OD ∅15~16mm 5~6 N.m

安费诺精密连接器(深圳)有限公司
Amphenol PCD Shenzhen
受控文件
2024年9月19日

DIMENSIONS	TOLERANCES	PROJECTION	TITLE		
ANSI Y14.5M UNITS: MM Pro/E FILE	.X ±0.5 .XX ±0.05 ANGLES ±2°		EXP 5PIN PLUG		
ORIGINAL	THIS DOCUMENT CONTAINS PROPRIETARY INFORMATION WHICH IS THE CONFIDENTIAL PROPERTY OF Amphenol PCD Shenzhen Co. Ltd Amphenol PCD Shenzhen Co. Ltd RESERVES THE RIGHT TO CLARIFY THIS DRAWING	CHKD APPD	ENGR Sep-15-23	SIZE A3	DWG NO. C-EXP40506S01
				REV 4	SCALE: 1:1 SHEET 1 OF 1

C-EXP40506S01

C-EXP40506S01