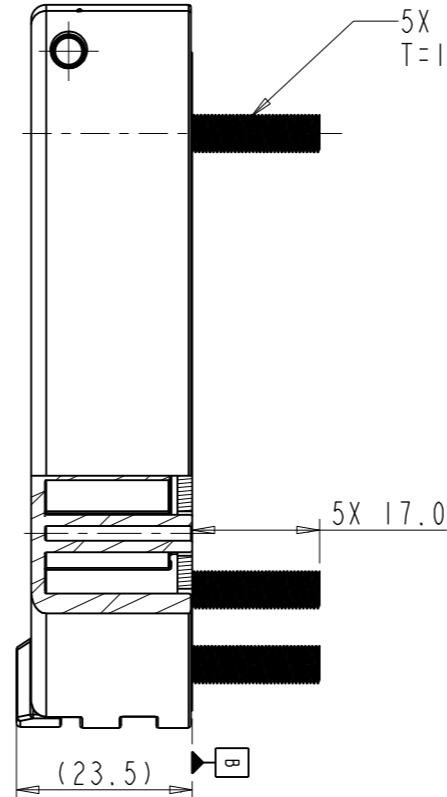
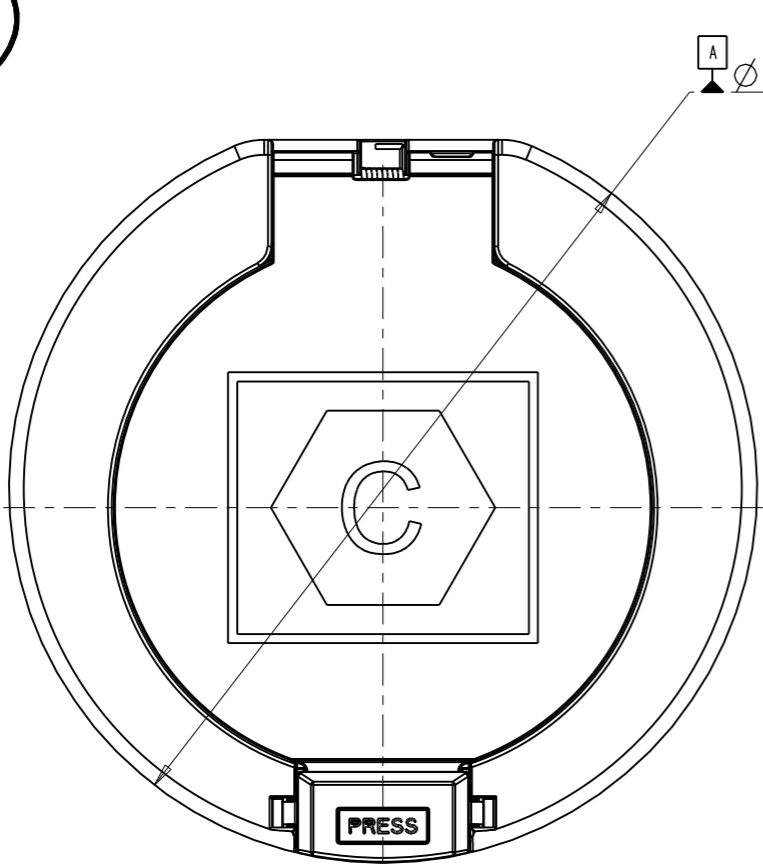


C-HVCOISLIDXBXX

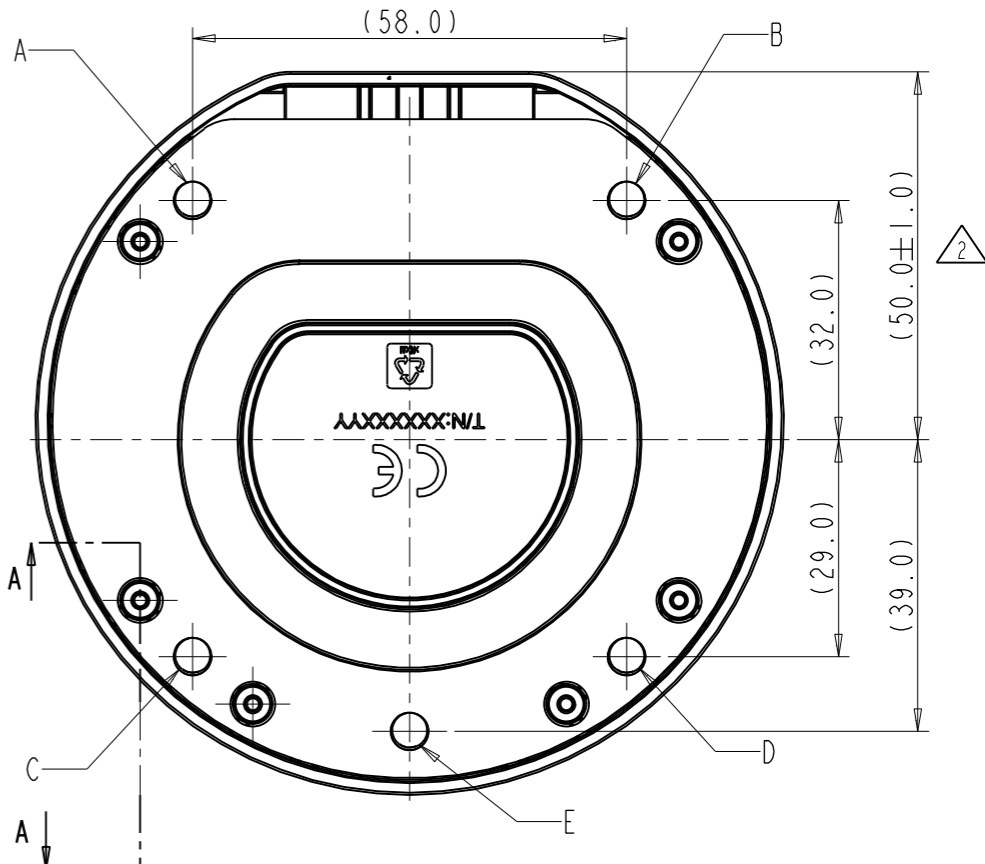
4	R7368	ADD SPECS AND NOTES	△4	Sep-13-23	Kane.Gao
---	-------	---------------------	----	-----------	----------

REV	ECN	DESCRIPTION	DATE	MODIFIED
1		PRE-RELEASE	Sep-28-22	.
2	R7131W	DIMENSIONS UPDATED, CERTIFICATION MARK ADDED	△2 May-22-23	.
3	R7257W	UPDATE LOGO PRINTING METHOD	△3 Jul-11-23	.

Amphenol PCDSZ
ORIGINAL
PDF Format
R&D



截面 A-A



ITEM	P/N	A	B	C	D	E
4	HVCOISLID3B02	M5	M5	NA	NA	M5
3	HVCOISLID3B01	M5	M5	M5	M5	NA
2	HVCOISLID4B02	M5	M5	M5	M5	NA
1	HVCOISLID4B01	M5	M5	M5	M5	NA

C-HVCOISLIDXBXX

C-HVCOISLIDXBXX

CAP OPEN ANGLE
120° MAX

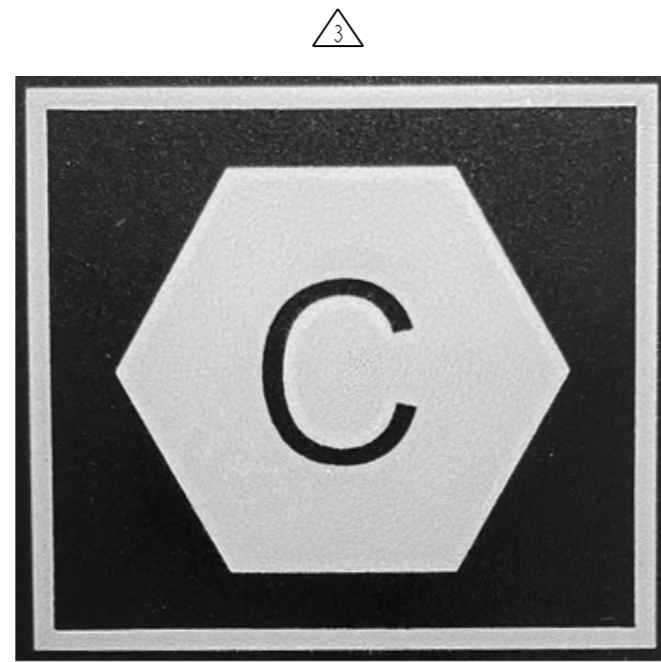
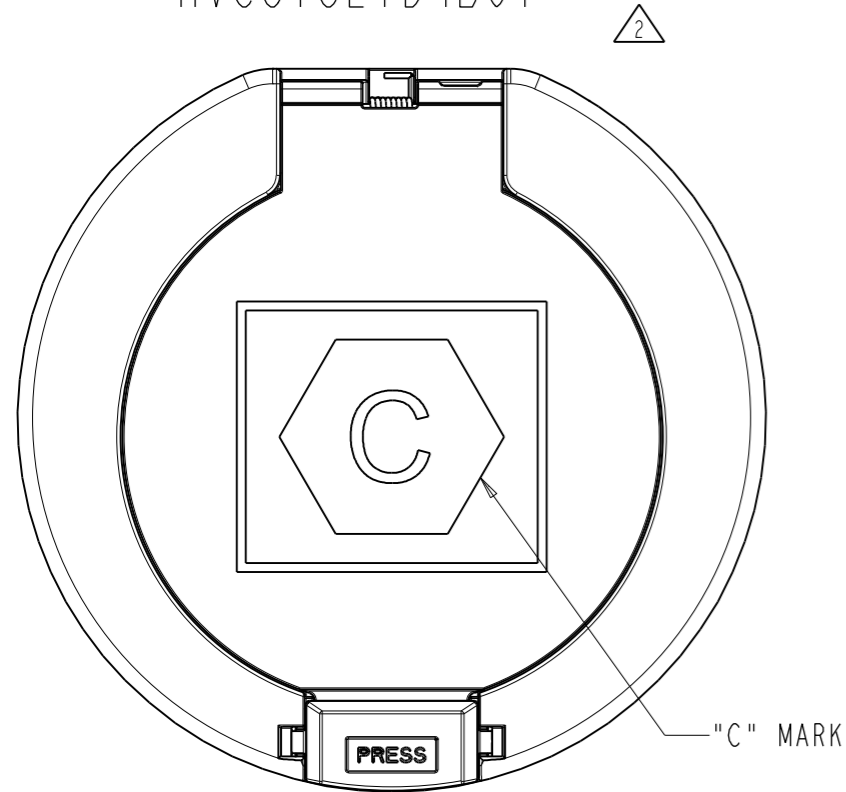


- NOTES:
- COLOR: BLACK.
 - AMBIENT TEMPERATURE: -30°C~50°C.
 - IP RATING: IP55.
 - ROHS COMPLIANCE.
 - DURABILITY 10000 CYCLES.
 - ROHS COMPLIANCE.
 - PANEL OPENING SIZE: WHEN SUITABLE FOR SOCKETS WITH SERIAL NUMBERS P02B000235, P02B000306, THE OPENING SIZE SHALL BE SUBJECT TO THE OPENING SIZE REQUIRED BY THE SOCKET DRAWING.

安费诺精密连接器(深圳)有限公司
Amphenol PCD Shenzhen
受控文件
2023年9月26日

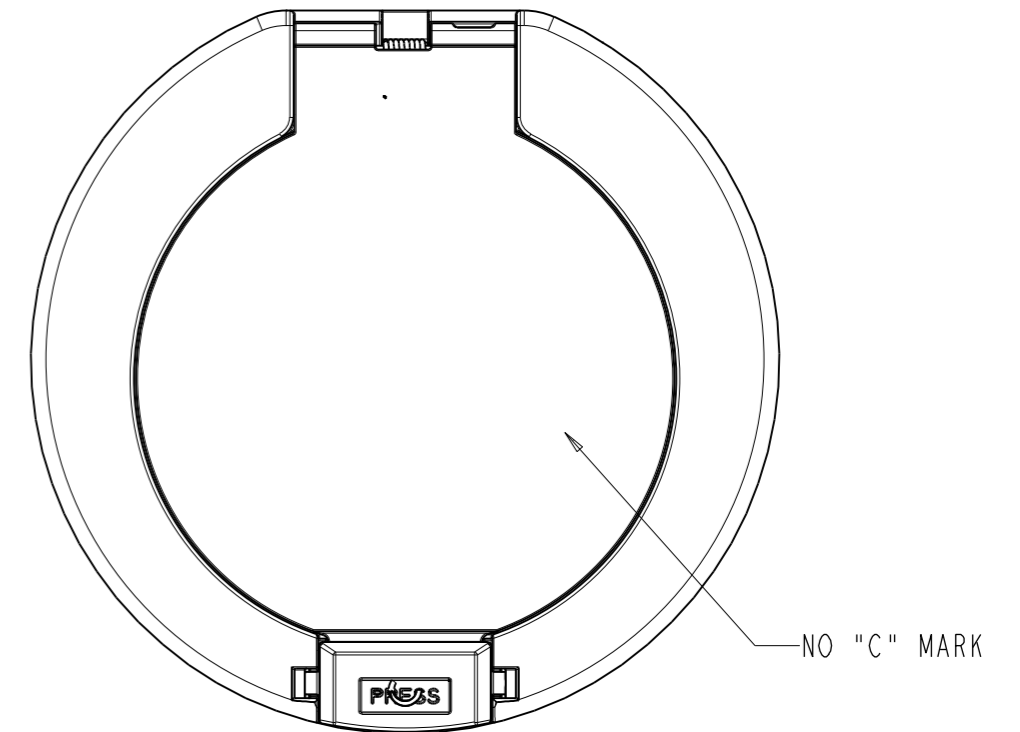
DIMENSIONS	TOLERANCES	PROJECTION	TITLE		
ANSI Y14.5M UNITS: MM Pro/E FILE	.X ±0.5 .XX ±0.05 ANGLES ±2°		Amphenol PCD Shenzhen		
ORIGINAL	THIS DOCUMENT CONTAINS PROPRIETARY INFORMATION WHICH IS THE CONFIDENTIAL PROPERTY OF Amphenol PCD Shenzhen Co. Ltd Amphenol PCD Shenzhen Co. Ltd RESERVES THE RIGHT TO CLARIFY THIS DRAWING	ENGR	Sep-28-22		HINGED LID
		CHKD	SIZE	DWG NO.	
		APPD	A3	C-HVCOISLIDXBXX	REV 4
			SCALE: 1:1		SHEET 1 OF 2

SHUTTER FOR WALLBOX:
P/N:HVCOISLID3B01
HVCOISLID4B01



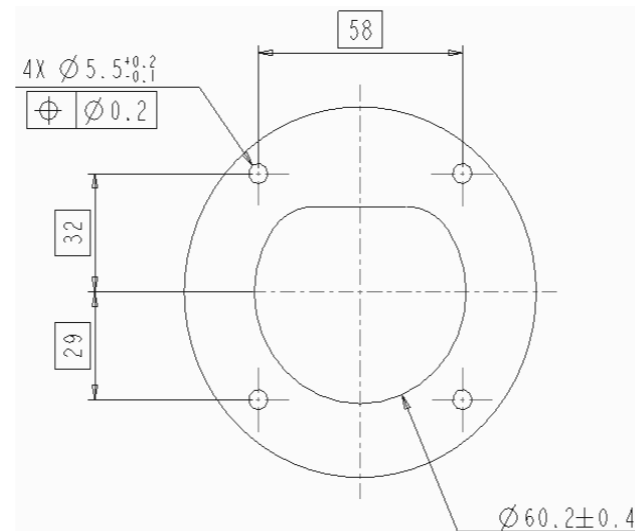
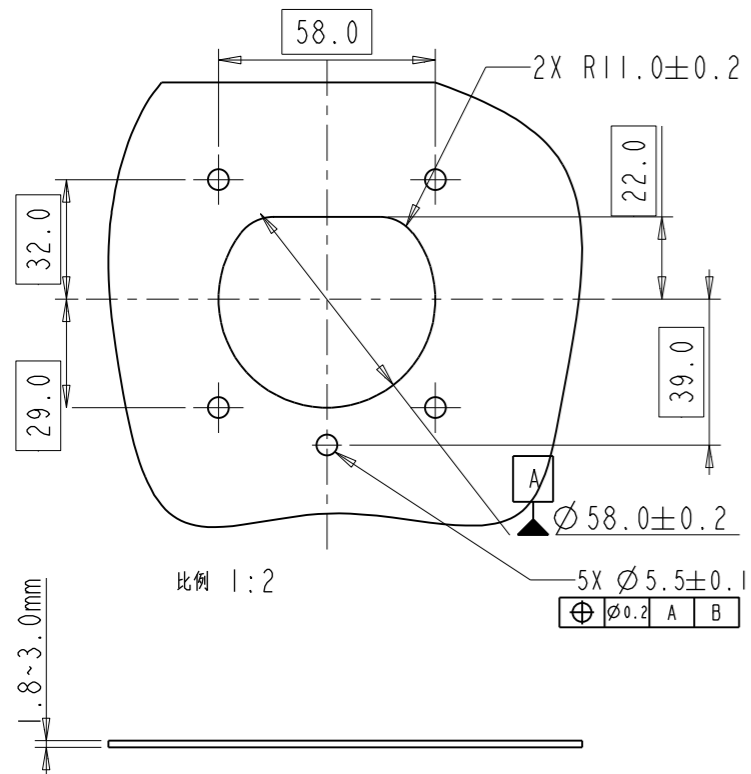
"C" MARKING DIAGRAM

EXCLUDING "C" MARK P/N:
P/N:HVCOISLID3B02
HVCOISLID4B02



C-HVCOISLIDXBXX

C-HVCOISLIDXBXX



REFERENCE HOLE SIZE WHEN ADAPTING TO SOCKETS
WITH THE FOLLOWING MATERIAL NUMBERS:
P02B000235, P02B000306;
THICKNESS 1.5~3.0mm.

安费诺精密连接器(深圳)有限公司
Amphenol PCD Shenzhen
受控文件
2023年9月26日

SIZE A3	DWG NO. C-HVCOISLIDXBXX	REV 4
SCALE: 1:1		SHEET 2 OF 2