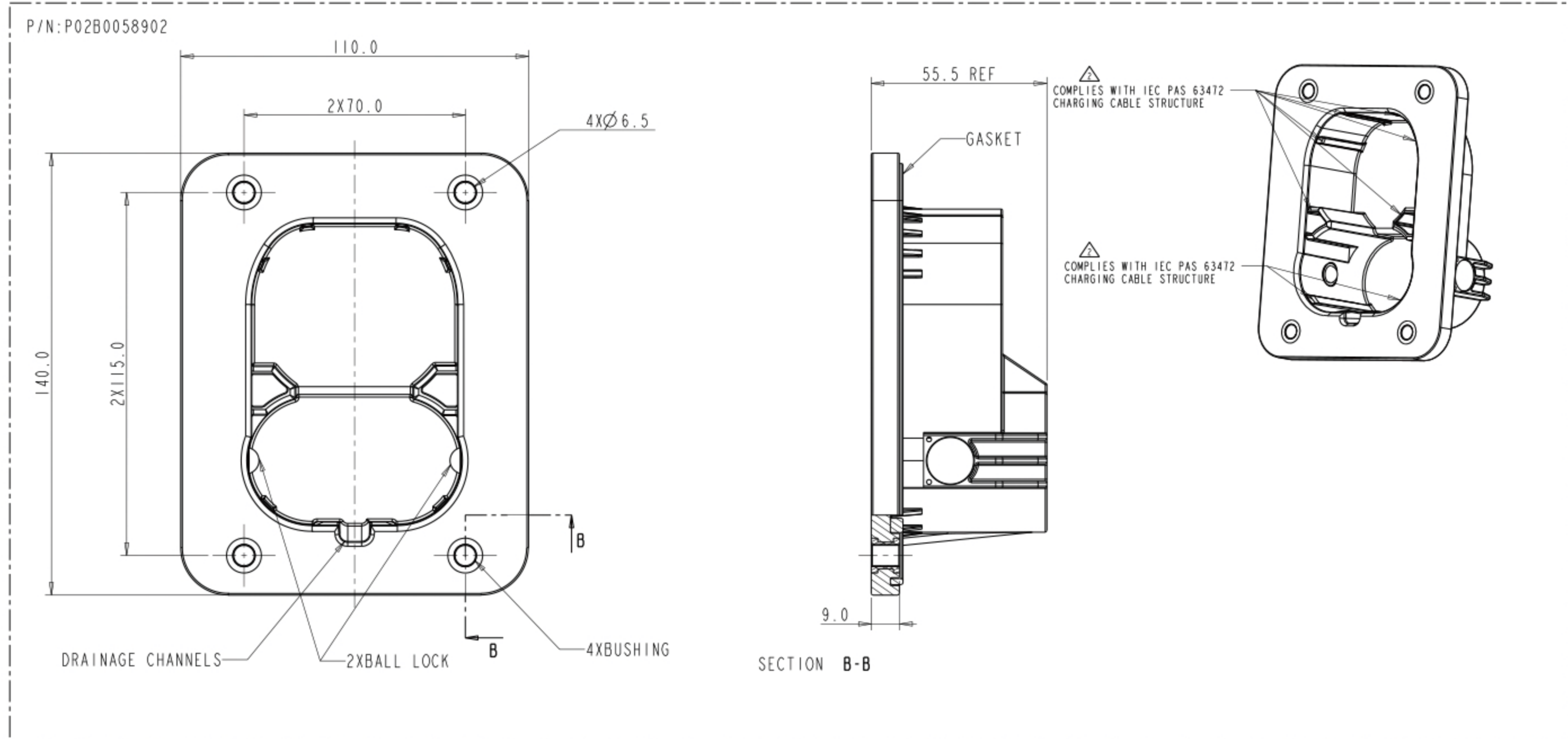


Amphenol PCD SZ
ORIGINAL
PDF Format
R&D

REV	ECN	DESCRIPTION	DATE	MODIFIED
1		RELEASE	Apr-18-24	
2	R8297W	COMPATIBLE WITH CHARGING CABLES COMPLIANT WITH IEC PAS 63472	Jul-09-24	



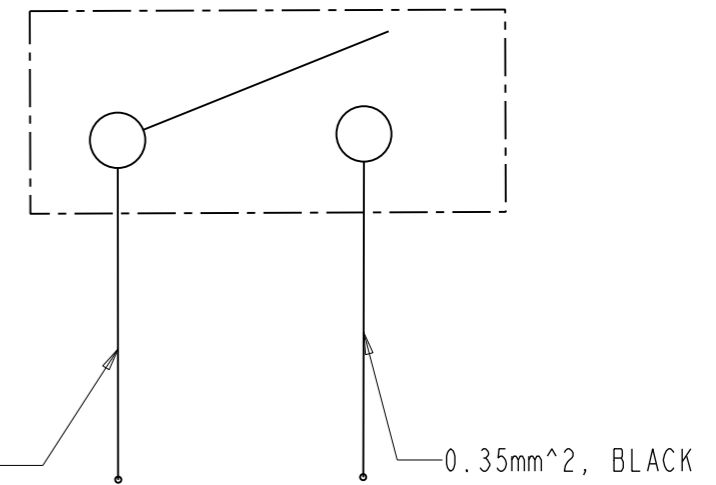
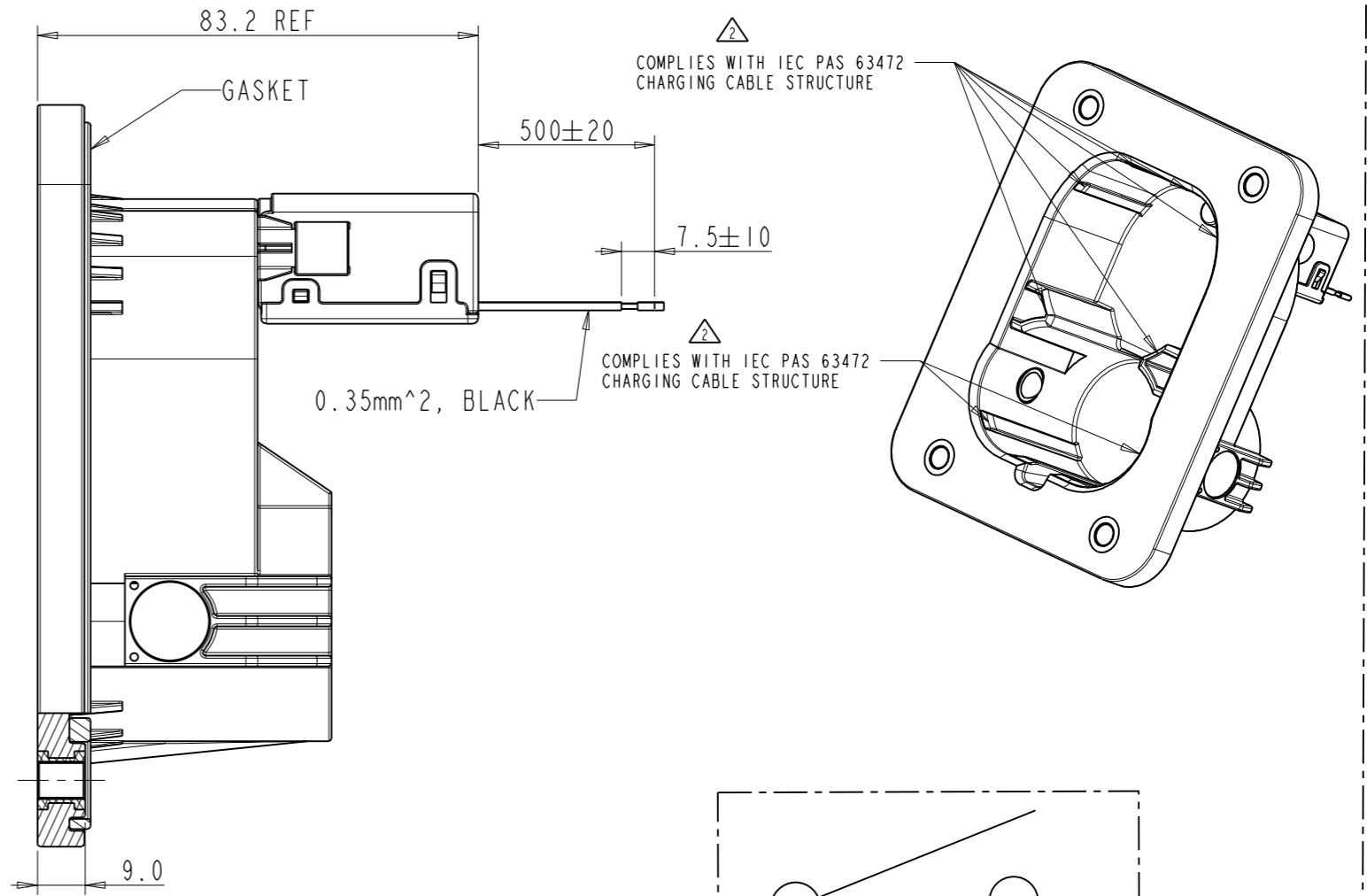
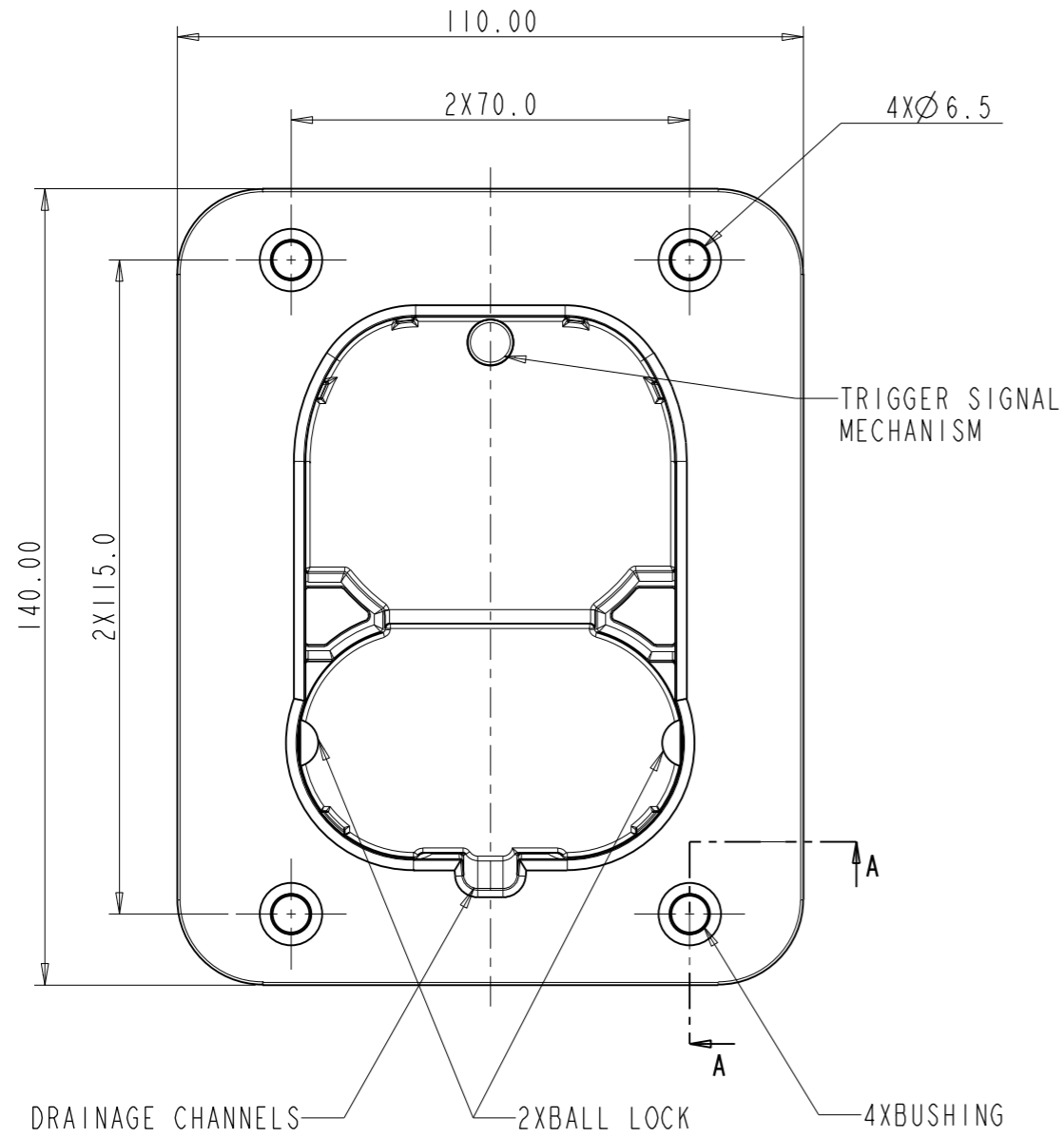
C-P02B00589XX

C-P02B00589XX

安费诺精密连接器(深圳)有限公司
Amphenol PCD Shenzhen
受控文件
2024年7月24日

DIMENSIONS	TOLERANCES	PROJECTION	TITLE		
ANSI Y14.5M UNITS: MM Pro/E FILE	.X ±0.5 .XX ±0.05 ANGLES ±2°		Amphenol PCD Shenzhen		
			ENGR	Mar-25-24	
ORIGINAL	THIS DOCUMENT CONTAINS PROPRIETARY INFORMATION WHICH IS THE CONFIDENTIAL PROPERTY OF Amphenol PCD Shenzhen Co. Ltd Amphenol PCD Shenzhen Co. Ltd RESERVES THE RIGHT TO CLARIFY THIS DRAWING		CHKD	SIZE A3	DWG NO. C-P02B00589XX
			APPD		REV 2
				SCALE: 3:10	SHEET 1 OF 3

P/N: P02B0058901



SWITCH:
 1. DC 32V 1~50 mA;
 2. LIFE TEST NUMBER OF CYCLES:>10000.

安费诺精密连接器(深圳)有限公司
 Amphenol PCD Shenzhen

受控文件

2024年7月24日

NOTE

1. MATERIAL: PC;
2. AMBIENT TEMPERATURE (OPERATION): -30°C ~50°C;
 AMBIENT TEMPERATURE (STORAGE/TRANSPORT): -40°C ~85°C;
3. INSULATOR INFLAMMABILITY: UL94, V-0;
4. ROHS COMPLIANCE.

SIZE	DWG NO.	REV
A3	C-P02B00589XX	2
SCALE: 3:10		SHEET 2 OF 3

