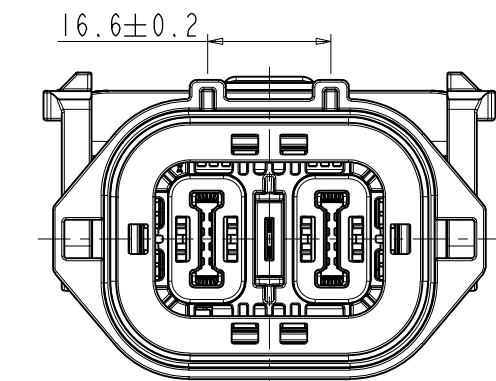
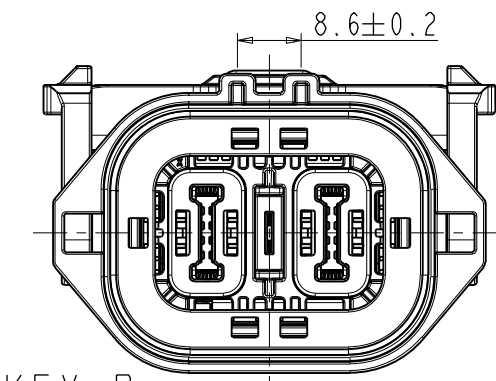
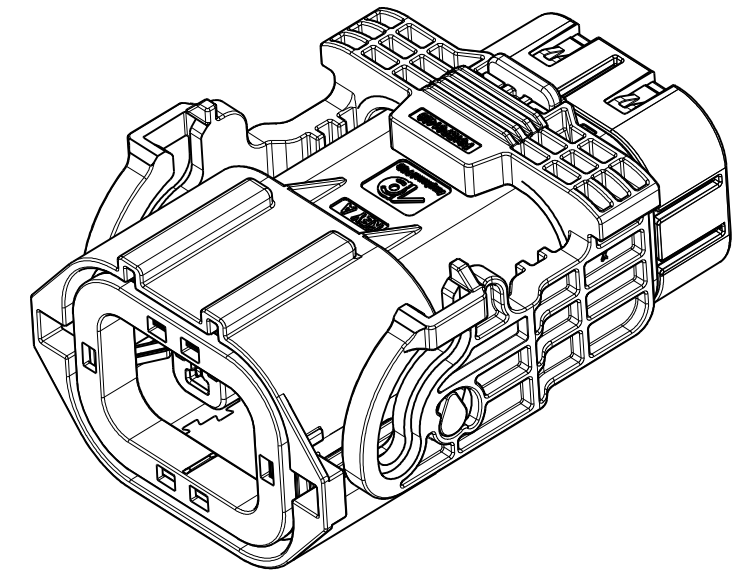
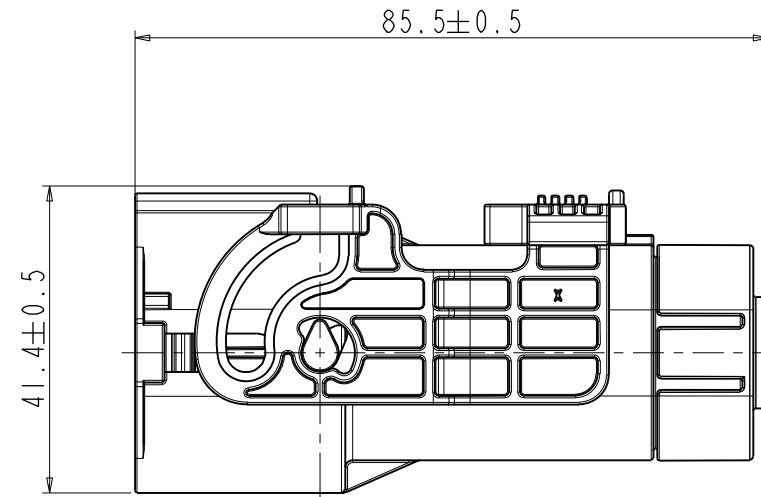
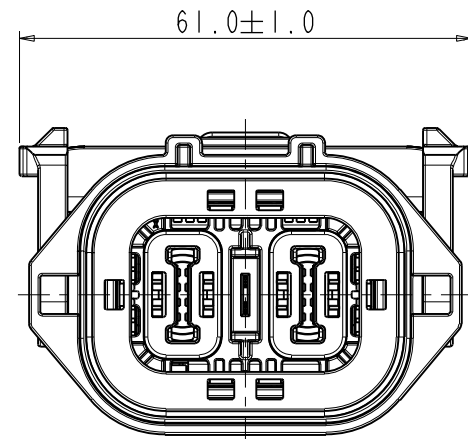


Amphenol PCDSZ
ORIGINAL
PDF Format
R&D

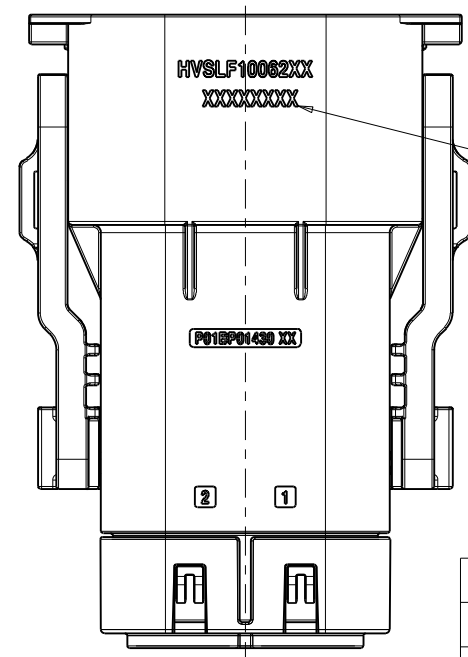
REV	ECN	DESCRIPTION	DATE	MODIFIED
1		PRE- RELEASE	Jun-10-2025	
2	R09494N	Improve the product polarization feature effectiveness	Aug-20-2025	
3	R09853	Terminal clip with added rib structure	Jan-05-2026	



KEY A



KEY B



PRODUCT TRACEABILITY CODE

2. PART NUMBERING SCHEME:

HVSLF 10 06 2 X X XX

CODE	KEY X
A	KEY A
B	KEY B
C	KEY C

CODE	DESCRIPTION
0	WITHOUT HVIL
1	WITH HVIL

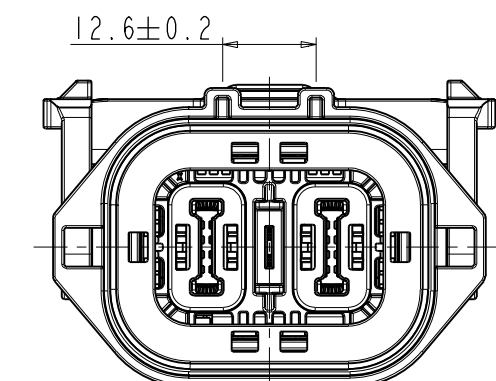
01: CROSS-SECTION 25mm²
WIRE OD=11.9±0.3mm
02: CROSS-SECTION 16mm²
WIRE OD=9.9±0.3mm

✦ : CRITICAL CHARACTERISTICS / 关键特性

◎ : IMPORTANT CHARACTERISTICS / 重要特性

3. TECHNICAL DATA TABLE

TECHNICAL DATA		
CURRENT RATE (25MM ² SHIELD CABLE)	125A @ AMBIENT 70°C	✦
CURRENT RATE (16MM ² SHIELD CABLE)	100A @ AMBIENT 70°C	✦
RATING VOLTAGE (OVERVOLTAGE CATEGORY II POLLUTION DEGREE 2)	1000V DC	✦
OPERATING TEMPERATURE	-40 TO 125°C	
DIELECTRIC WITHSTANDING VOLTAGE	3000V AC(RMS)	✦
INSULATION RESISTANCE	200MΩ MIN. @25°C	✦
DURABILITY	50 CYCLES	◎
SHIELDING	YES	
WATERPROOF (MATED CONDITION)	IP67, IP6K9K	✦
PROTECTION LEVEL (UNMATED)	IP2XB	✦
AMBIENT TEMPERATURE	-40 TO 70°C	
RoHS & REACH	YES	✦



KEY C

NOTES:

- MATERIAL & FINISH:
PLASTIC BODY: THERMOPLASTICS ORANGE COLOR
POWER CONTACT: COPPER ALLOY SILVER
HVIL CONTACTS: COPPER ALLOY TIN PLATED
SEAL RING: SR

DIMENSIONS	TOLERANCES	PROJECTION	ENGR
ANSI Y14.5M UNITS: MM Pro/E FILE	X ±0.5 XX ±0.05 ANGLES ±2°		Jun-10-2025
ORIGINAL	THIS DOCUMENT CONTAINS PROPRIETARY INFORMATION WHICH IS THE CONFIDENTIAL PROPERTY OF Amphenol PCD Shenzhen Co. Ltd Amphenol PCD Shenzhen Co. Ltd RESERVES THE RIGHT TO CLARIFY THIS DRAWING		CHKD APPD

TITLE		
Plug180° 2Pin 100-125A with 16-25mm ²		
SIZE	DWG NO.	REV
A3	C-HVSLF10062XXXX	3
SCALE: 1:1		SHEET 1 OF 2

C-HVSLF10062XXXX

C-HVSLF10062XXXX

△₂ Adjust key height and depth

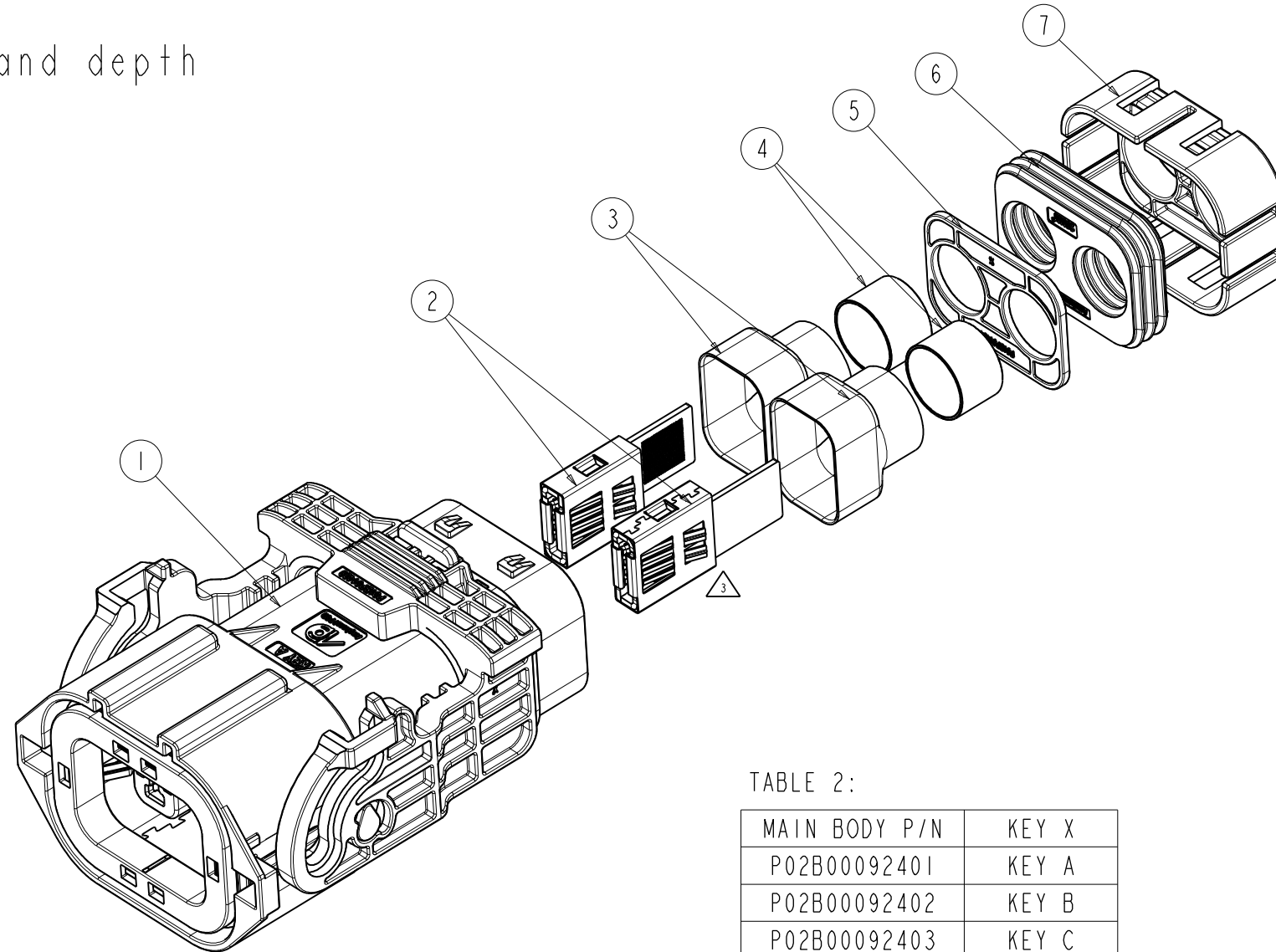


TABLE 1:

MAIN BODY P/N	KEY X
P02B00092301	KEY A
P02B00092302	KEY B
P02B00092303	KEY C

TABLE 2:

MAIN BODY P/N	KEY X
P02B00092401	KEY A
P02B00092402	KEY B
P02B00092403	KEY C

ASSEMBLY P/N	ITEM	COMPONENT P/N	CABLE SIZE	DESCRIPTION	Q'TY
HVSLF10062X1XX	7	P0IBP0143202	16mm ²	STRAIGHT PLUG END CAP 16mm ²	1
		P0IBP0143201	25mm ²	STRAIGHT PLUG END CAP 25mm ²	1
	6	P0IBR01294	16mm ²	CABLE SEALING 16mm ²	1
		P0IBR01267	25mm ²	CABLE SEALING 25mm ²	1
	5	P0IBP01434	N/A	STRAIGHT PLUG PADS	1
	4	P0IBM02922	16mm ²	INNER SHIELD RING	2
		P0IBM02809	25mm ²	INNER SHIELD RING	2
	3	P0IBS0064602	16mm ²	OUTER SHIELDING RING	2
		P0IBS0064601	25mm ²	OUTER SHIELDING RING	2
	2	P0IBS00645	N/A	POWER PIN	2
1	TABLE 1	N/A	MAIN BODY & WITH HIVL	1	

ASSEMBLY P/N	ITEM	COMPONENT P/N	CABLE SIZE	DESCRIPTION	Q'TY
HVSLF10062X0XX	7	P0IBP0143202	16mm ²	STRAIGHT PLUG END CAP 16mm ²	1
		P0IBP0143201	25mm ²	STRAIGHT PLUG END CAP 25mm ²	1
	6	P0IBR01294	16mm ²	CABLE SEALING 16mm ²	1
		P0IBR01267	25mm ²	CABLE SEALING 25mm ²	1
	5	P0IBP01434	N/A	STRAIGHT PLUG PADS	1
	4	P0IBM02922	16mm ²	INNER SHIELD RING	2
		P0IBM02809	25mm ²	INNER SHIELD RING	2
	3	P0IBS0064602	16mm ²	OUTER SHIELDING RING	2
		P0IBS0064601	25mm ²	OUTER SHIELDING RING	2
	2	P0IBS00645	N/A	POWER PIN	2
1	TABLE 2	N/A	MAIN BODY & WITHOUT HIVL	1	

C-HVSLF10062XXXX

C-HVSLF10062XXXX