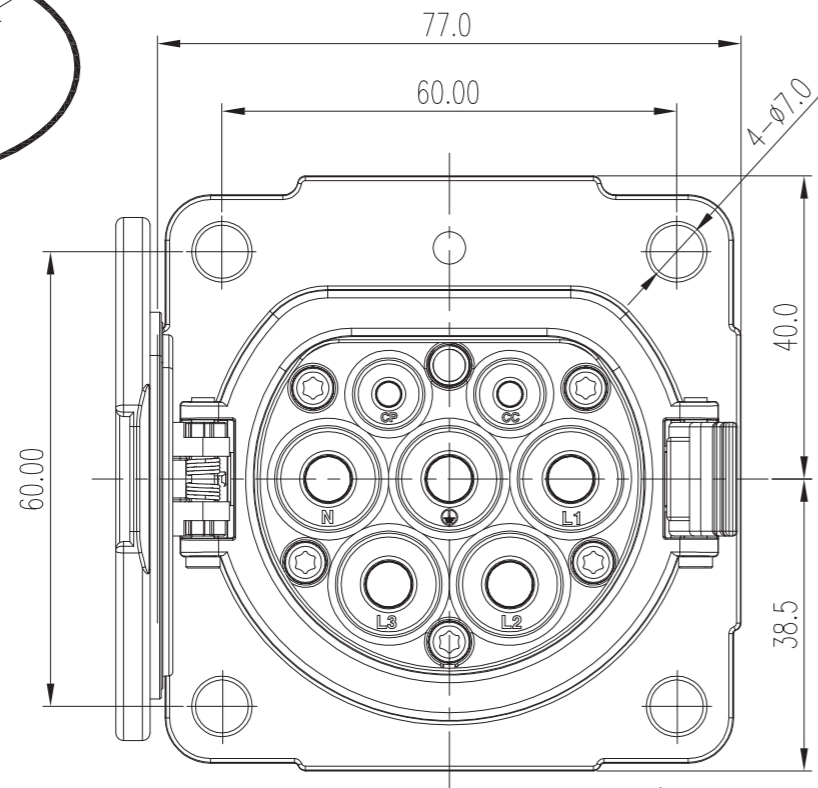
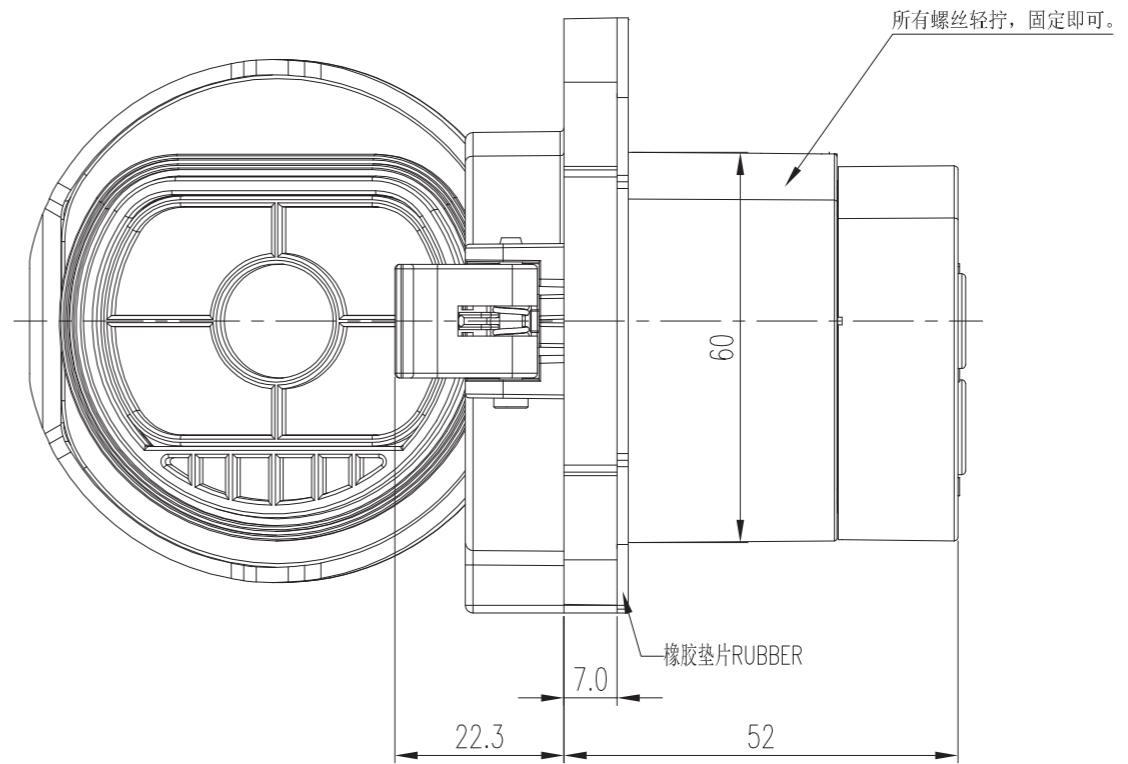


Amphenol PCD SZ
ORIGINAL
PDF Format

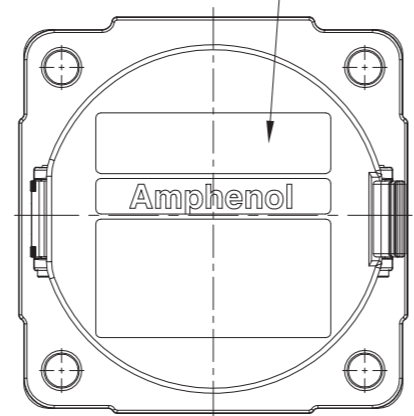


盖子打开状态
汽车端充电插座



橡胶垫片RUBBER

接线方式示意图
Mode of connection



盖子合上状态
缩放比例 5:6

Technical data / 技术参数:

Rate Current / 额定电流	Power 32A @ 70°C Signal 2A	+
Rate Voltage / 额定电压	Power 250V Signal 30V	+
Withstanding Voltage / 耐电压	动力线3000V DC	+
Insulation Resistance / 绝缘阻抗	100MΩ Min	+
Service life / 使用寿命	>10000 Cycles	○
IP-Class / 防护等级	关盖状态IP54 插合状态IP55	+
Operating Temperature / 工作温度	-30°C~+50°C	○
Description	Parameter	Symbol



DIMENSIONS ANSI Y14.5M UNITS: MM CAD/ FILE	TOLERANCES .X ± 1 .XX ±0.5 ANGLES ±5.0°	PROJECTION 	TITLE Amphenol Pcd Shenzhen VEHICLE COUPLER SOCKET GB CAR SIDE INLET 32A			
			CHKD	SIZE A3	DWG NO. C-HVCOFBTR6SF506L0000	REV 1
ORIGINAL	THIS DOCUMENT CONTAINS PROPRIETARY INFORMATION WHICH IS THE CONFIDENTIAL PROPERTY OF AMPHENOL PCD SHENZHEN		APPD	CODE:	SCALE 4:5	SHEET 1 OF 1

C-HVCOFBTR6SF506L0000

C-HVCOFBTR6SF506L0000