

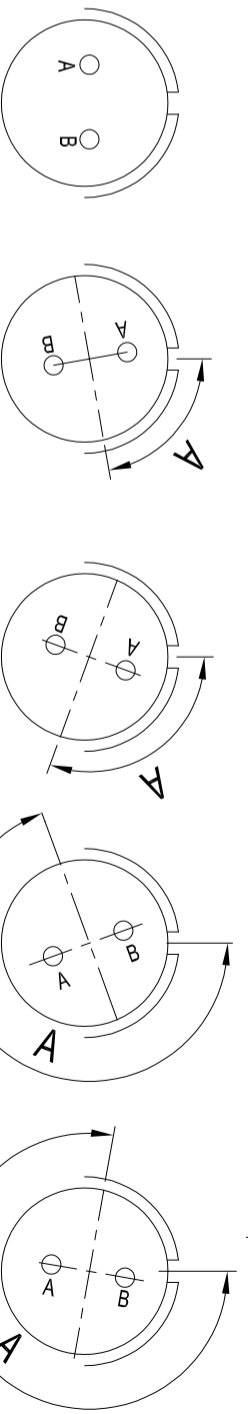
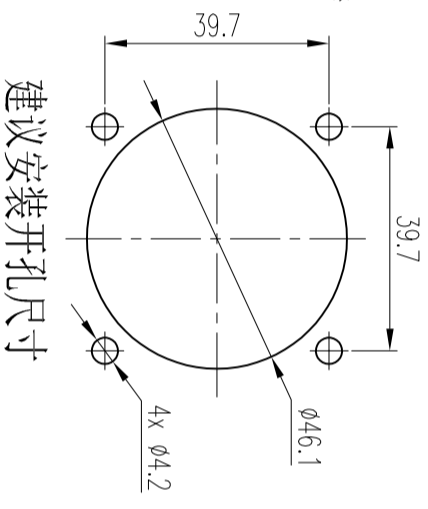
REV	ECN	DESCRIPTION	DATE	MODIFIED
1		PRE-RELEASE	2012.12.12	ORANGE
2		ADD RETENTION FORCE	2015.01.29	ORANGE

***Notes/技术参数:**

Material 材料\ Finish 表面处理
 Shells 外壳: Aluminum alloy 铝合金/ Olive drab zinc plated 镀绿锌
 Insert 插芯: Thermoplastics UL94-V0 热塑料

Mechanical data 机械参数
 Operating Temperature 温度范围: -55°C ~ +125°C
 Durability 机械寿命: 500 cycles
 Contact retention force 插针在插芯中的保持力: 70N

Electrical data 电气参数:
 Rated Voltage 额定电压: 250V AC (TB/T1333)
 Rated Current 额定电流: 13A(#16contacts)
 Insulation Resistance: 2000 MΩ Min
 Contact Resistance: Less than 2.5miliohms



标准位置	位置 W	位置 X	位置 Y	位置 Z
ASGL-1A-2827-PC-D19-LC-Z				Z
ASGL-1A-2827-PC-D19-LC-Y				Y
ASGL-1A-2827-PC-D19-LC-X				X
ASGL-1A-2827-PC-D19-LC-W				W
ASGL-1A-2827-PC-D19-LC				标准
P/N				Direction
				Revolution Angle(A)

Amphenol Pcd Shenzhen		TITLE	
CHKD	APPD	SIZE	DMG NO.
ENGR		A3	ASGL-1A-2827-PC-D19-LC-XX
		SCALE	1.5:1
		SHEET	1 OF 1
		REV	2

RECEPTACLE/插座

DIMENSIONS
ANSI Y14.5M
UNITS: MM

TOLERANCES
X ± 0.5
XX ±0.10
ANGLES ±0.5°

PROJECTION

ORIGINAL FOR CUSTOMER DISTRIBUTION

THIS DOCUMENT CONTAINS PROPRIETARY INFORMATION WHICH IS THE CONFIDENTIAL PROPERTY OF AMPHENOL PCD SHENZHEN