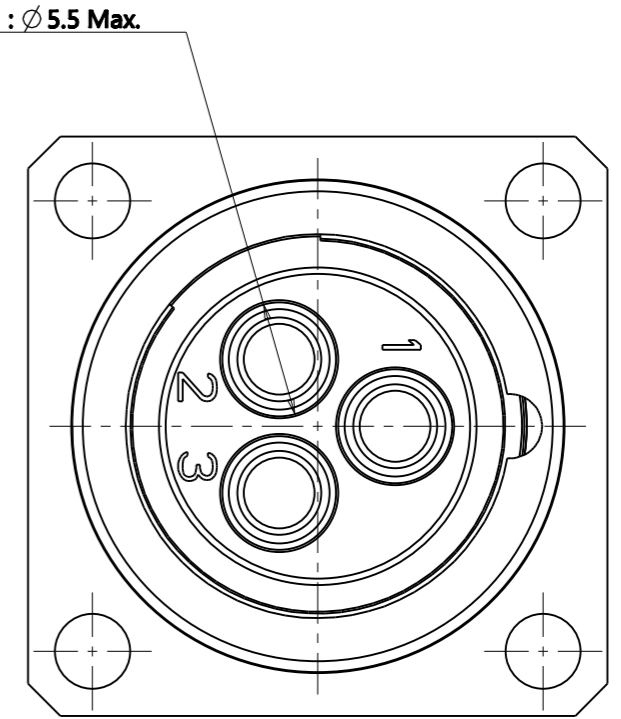
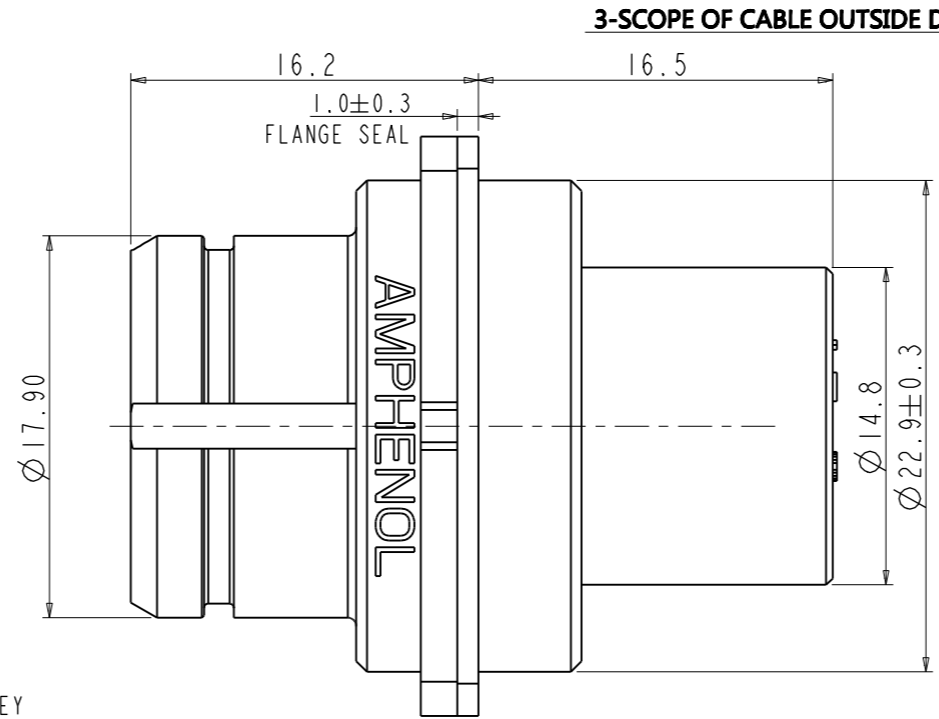
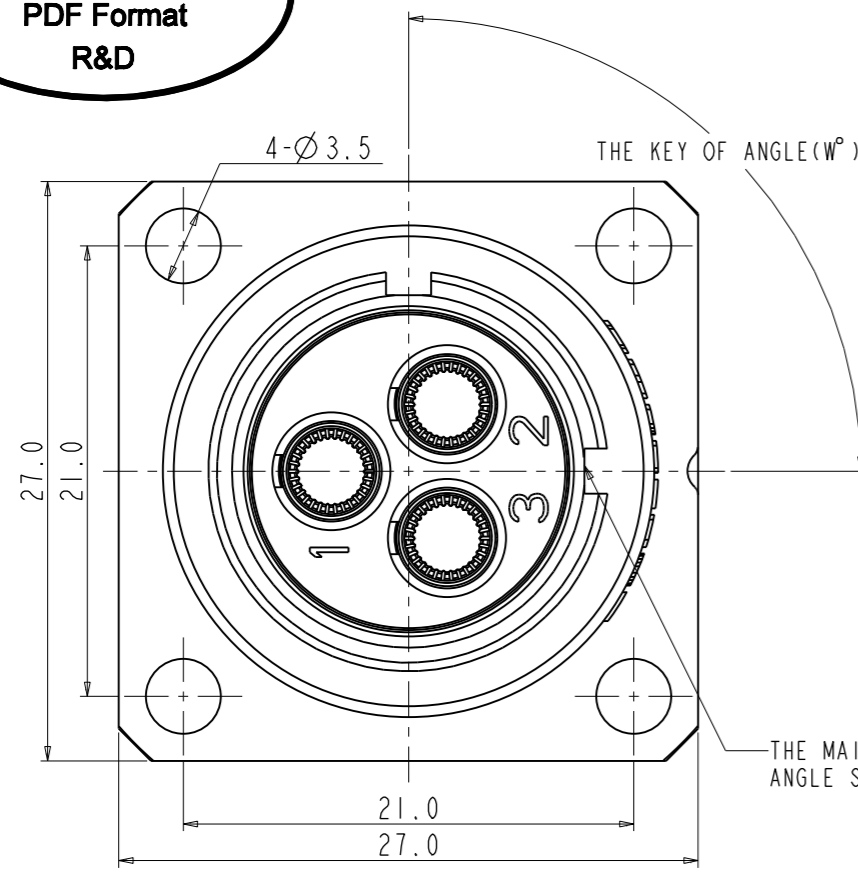


Amphenol PCDSZ  
ORIGINAL  
PDF Format  
R&D



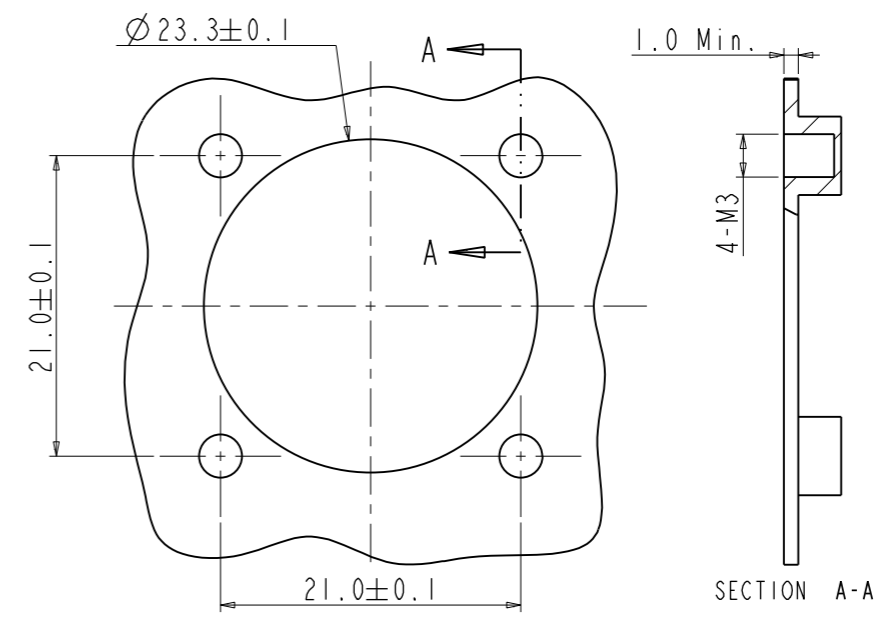
- NOTE:  
1. THE SCOPE OF CABLE OD Ø 5.5 Max.  
2. SCREW M3(DIMENTION REFER GB/T 70.1-2000)  
REVAILING TORQUES: 0.5 N\*M  
3. TECHNICAL DATA TABLE:

CURRENT RATE(2.5mm <sup>2</sup> CABLE)	23A @ AMBIENT 70° C	+
CURRENT RATE(4.0mm <sup>2</sup> CABLE)	32A @ AMBIENT 70° C	+
UL RATING VOLTAGE (OVERVOLTAGE CATEGORY II POLLUTION DEGREE 2)	400V DC	+
OPERATING TEMPERATURE	-40~125° C	
DIELECTRIC WITH STANDING VOLTAGE	2500V AC	+
INSULATION RESISTANCE	2000M $\Omega$ MIN. 25° C, NO CABLE	+
DURABILITY	50 CYCLES	○
SHIELDING	YES	○
WATERPROOF (MATED CONDITION)	IP 67	+
AMBIENT TEMPERATURE	-40~70° C	
TECHNICAL DESCRIPTION	TECHNICAL DATA	FEATURE

4. PART NUMBER DESCRIPTION:  
HVS1S203FC X

KEY OF CODING OPTION  
NO CODE: NO KEY& BLACK(w°=0°)  
X: KEY X & RED(w°=270°)  
Y: KEY Y & YELLOW(w°=315°)  
Z: KEY Z & BLUE(w°=90°)  
W: KEY W & GREEN(w°=45°)

THE KEY OF ANGLE w° (CLOCKWISE DIRECTION)	
HVS1S203FC	0°
HVS1S203FC X	270°
HVS1S203FC Y	315°
HVS1S203FC Z	90°
HVS1S203FC W	45°



SUGGESTION MOUNTING INTERFACE SPECIFICATION  
(MOUNTING INTERFACE SHOWN)

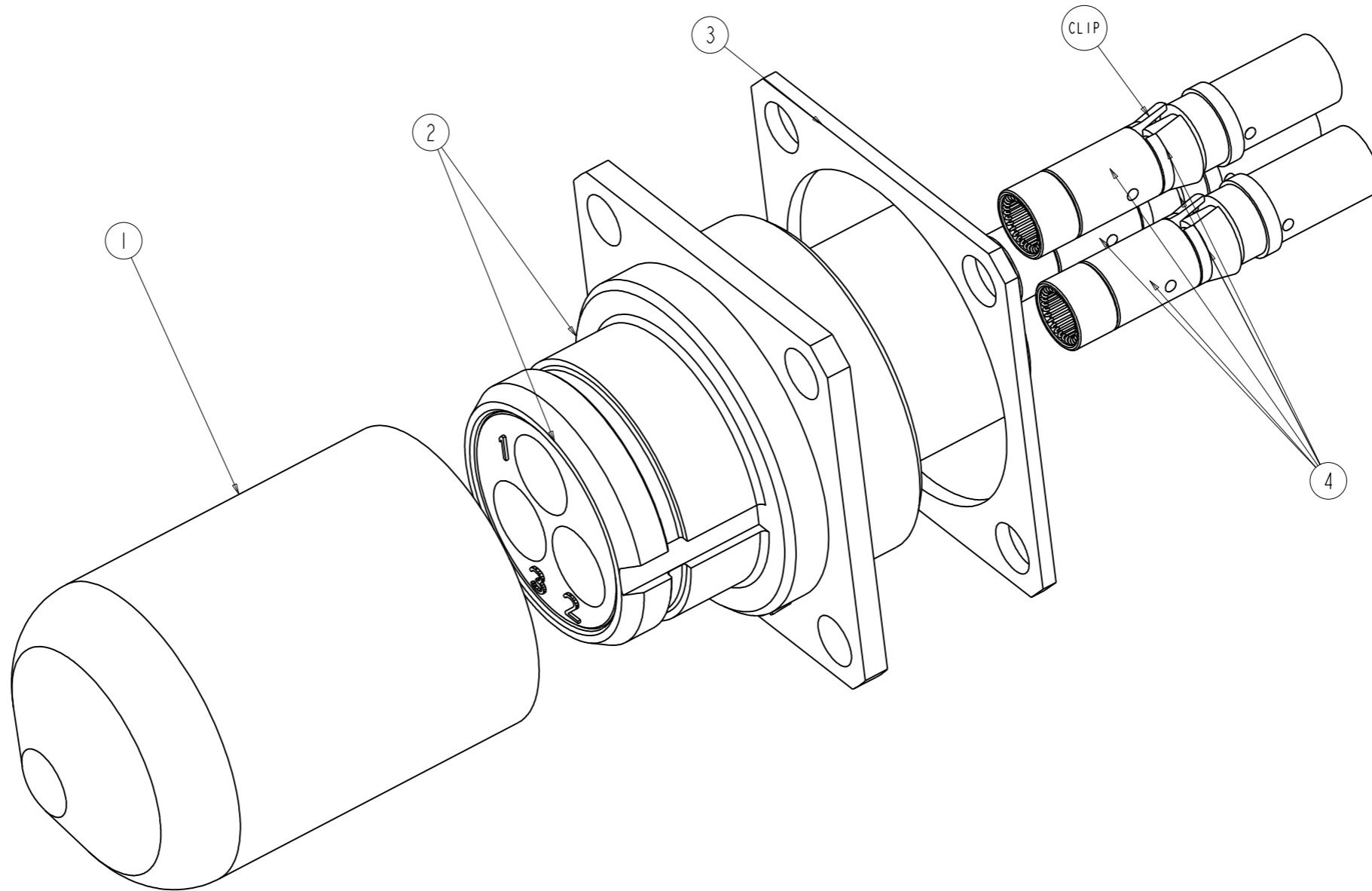
DIMENSIONS ANSI Y14.5M UNITS: MM Pro/E FILE	TOLERANCES .X ±0.5 .XX ±0.05 ANGLES ±0.5°	PROJECTION 	TITLE <b>TRIPLEX RECEPTACLE ASSEMBLY</b>		
			ENGR	CHKD	APPD
ORIGINAL NOT FOR CUSTOMER DISTRIBUTION	THIS DOCUMENT CONTAINS PROPRIETARY INFORMATION WHICH IS THE CONFIDENTIAL PROPERTY OF AMPHENOL PCD SHENZHEN	SIZE <b>A3</b>	DWG NO. <b>C-HVSI203FCX</b>	REV <b>1</b>	
			CODE: 58982	SCALE: 3:1	SHEET 1 OF 2

安费诺精密连接器(深圳)有限公司  
Amphenol PCD Shenzhen  
受控文件  
2018年2月5日

C-HVSI203FCX

C-HVSI203FCX

Amphenol PCDSZ  
ORIGINAL  
PDF Format  
R&D



5. ASSEMBLY AND DETAIL BOM LIST SHOW

- 5.1. 将插针“组件4”压接线材(留意插针上的CLIP是否脱落)
- 5.2. 将压好线的插针插入到前端“组件2”的塑胶插芯内.(听到喀嗒声即表示插入到位)
- 5.3. 此规格图含3pcs“组件4”(插针及CLIP)

5.4. DETAIL BOM LIST

HVS1S203FC X	4	HVG30FS4 OR HVG30F4	3	2.5~4.0mm <sup>2</sup> POWER PIN $\phi$ 3.0
	3	C427005010	1	GASKET ECTA SIZE2(13302JE)
	2	MAIN BODY	1	MAIN BODY
	1	C422005983	1	DUST COVER
PART NUMBER	ITEAM	COMPONENT P/N	QUANTITY	DESCRIPTION

SIZE	DWG NO.	REV
A3	C-HVSI203FCX	1
CODE: 58982	SCALE: 3:1	SHEET 2 OF 2