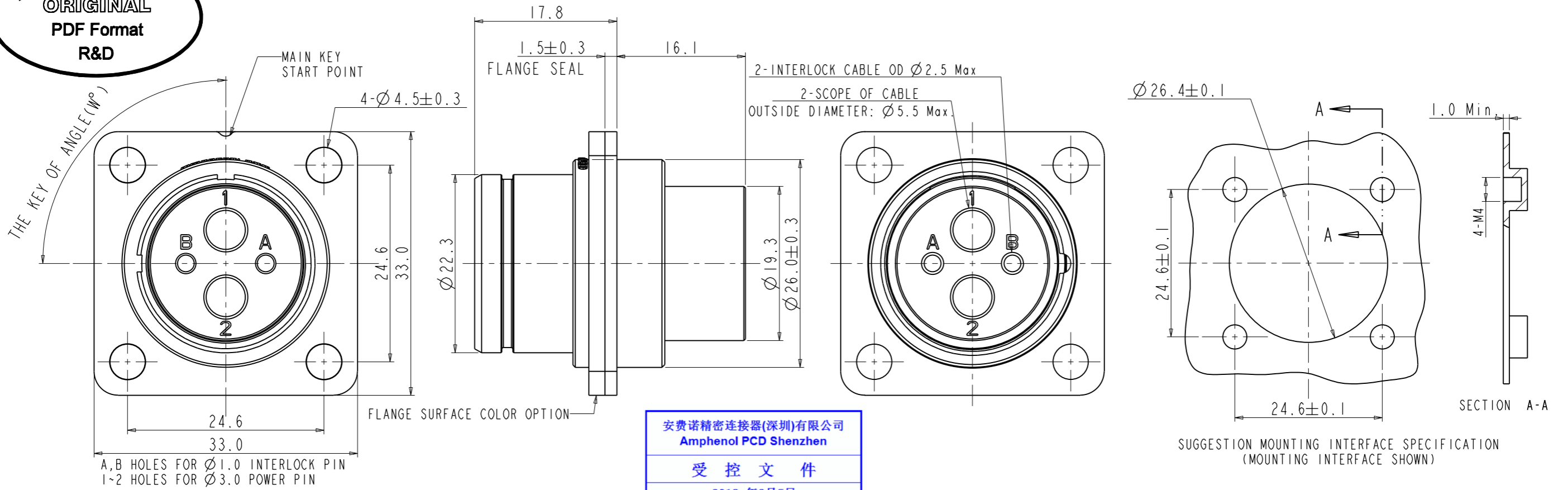


Amphenol PCD SZ
ORIGINAL
PDF Format
R&D



- NOTES:
1. FINISHED PRODUCT DOES HAVE NOT THE PIN, NEED TO BUY SEPARATE.
 2. THE POWER PIN P/N FOR 4MM² CABLE: HVG30F4 OR HVG30FS4, USE LEVEL: 2PCS
THE POWER PIN P/N FOR 2.5MM² CABLE: HVG30F2 OR HVG30FS2, USE LEVEL: 2PCS
 3. THE INTERLOCK PIN P/N: HVG20F1, USE LEVEL: 2PCS
 4. SCREW M4(DIMENTION REFER GB/T 70.1-2000)
REVALING TORQUES: 0.5 N*M

5. TECHNICAL DATA TABLE

CURRENT RATE (4mm ² CABLE)	32A @ AMBIENT 70° C	✦
CURRENT RATE (2.5mm ² CABLE)	23A @ AMBIENT 70° C	✦
UL RATING VOLTAGE (OVERVOLTAGE CATEGORY II POLLUTION DEGREE 2)	800V DC	✦
OPERATING TEMPERATURE	-40~125° C	
DIELECTRIC WITH STANDING VOLTAGE	3000V AC	✦
INSULATION RESISTANCE	2000MΩ MIN. 25° C, NO CABLE	✦
DURABILITY	500 CYCLES	◎
SHIELDING	YES	◎
WATERPRROF (MATED CONDITION)	IP 67	✦
AMBIENT TEMPERATURE	-40~70° C	
TECHNICAL DESCRIPTION	TECHNICAL DATA	FEATURE

6. SCOPE OF INNER SINGLE CABLE OUTSIDE DIAMETER :
2.5 & 4.0 mm² OD 5.5 Max.
INTERLOCK CABLE OD 2.5 Max.(0.5~0.75mm² CABLE)

7. PART NUMBER DESCRIPTION:
HVGI1S402FC XXX

KEY OF CODING OPTION

BK: NO KEY & BLACK(w°=0°)
XBK: KEY X & BLACK(w°=270°)
YBK: KEY Y & BLACK(w°=315°)
ZBK: KEY Z & BLACK(w°=90°)
WBK: KEY W & BLACK(w°=45°)
XRD: KEY X & RED(w°=270°)
YY : KEY Y & YELLOW(w°=315°)
ZBL: KEY Z & BLUE(w°=90°)
WGR: KEY W & GREEN(w°=45°)
NO CODE: NO KEY & PLATING COLOR(w°=0°)
X : KEY X & PLATING COLOR(w°=270°)
Y : KEY Y & PLATING COLOR(w°=315°)
Z : KEY Z & PLATING COLOR(w°=90°)
W : KEY W & PLATING COLOR(w°=45°)
XBL: KEY X & BLUE(w°=270°)
YBL: KEY Y & BLUE(w°=315°)
ZRD: KEY Z & RED(w°=90°)

ANGLE CODE	ANGLE OF KEY(w°)	COLOR CODE	COLOR OF LOCKING RING	P/N(FOR EXAMPLE)
NO CODE	0°			HVG1S402FC BK
X	270°	BK	BLACK	HVG1S402FC X BK
Y	315°			HVG1S402FC Y BK
Z	90°			HVG1S402FC Z BK
W	45°			HVG1S402FC W BK
X	270°	RD	RED	HVG1S402FC X RD
Y	315°	Y	YELLOW	HVG1S402FC Y Y
Z	90°	BL	BLUE	HVG1S402FC Z BL
W	45°	GR	GREEN	HVG1S402FC W GR
NO CODE	0°			HVG1S402FC
X	270°	NO CODE	PLATING COLOR	HVG1S402FC X
Y	315°			HVG1S402FC Y
Z	90°			HVG1S402FC Z
W	45°			HVG1S402FC W
X	270°	BL	BLUE	HVG1S402FC X BL
Y	315°			HVG1S402FC Y BL
Z	90°	RD	RED	HVG1S402FC Z RD

DIMENSIONS ANSI Y14.5M UNITS: MM Pro/E FILE	TOLERANCES .X ±0.5 .XX ±0.05 ANGLES ±0.5°	PROJECTION ◎ ◁	TITLE TWO CORE RECEPTACLE ASSEMBLY WITH INTERLOCK
ORIGINAL NOT FOR CUSTOMER DISTRIBUTION	THIS DOCUMENT CONTAINS PROPRIETARY INFORMATION WHICH IS THE CONFIDENTIAL PROPERTY OF AMPHENOL PCD SHENZHEN	CHKD APPD	SIZE A3
			DWG NO. C-HVGI1S402FCXXX
			REV 1
			CODE: 58982
			SCALE: 2:1
			SHEET 1 OF 1

C-HVGIS402FCXXX

C-HVGIS402FCXXX