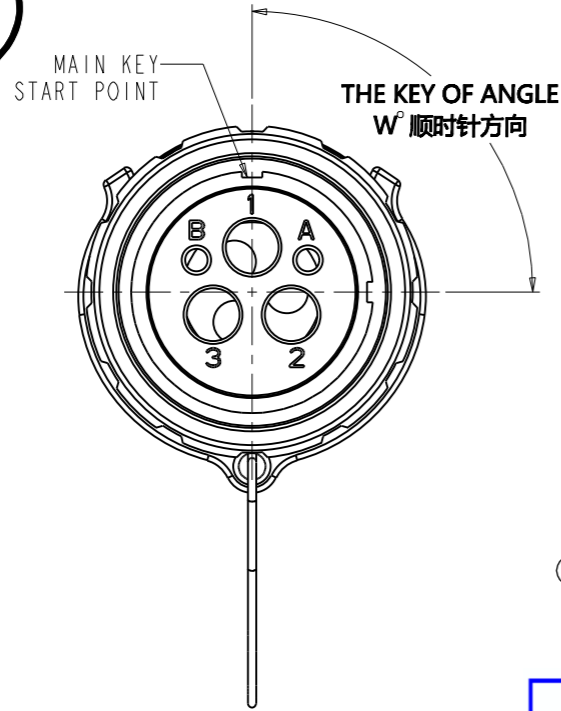
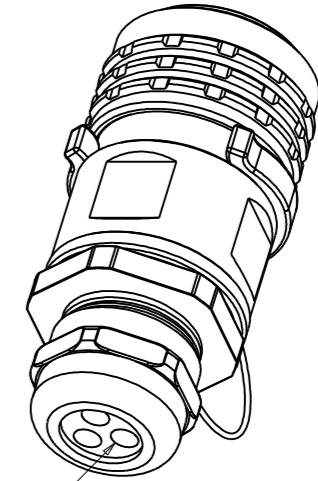
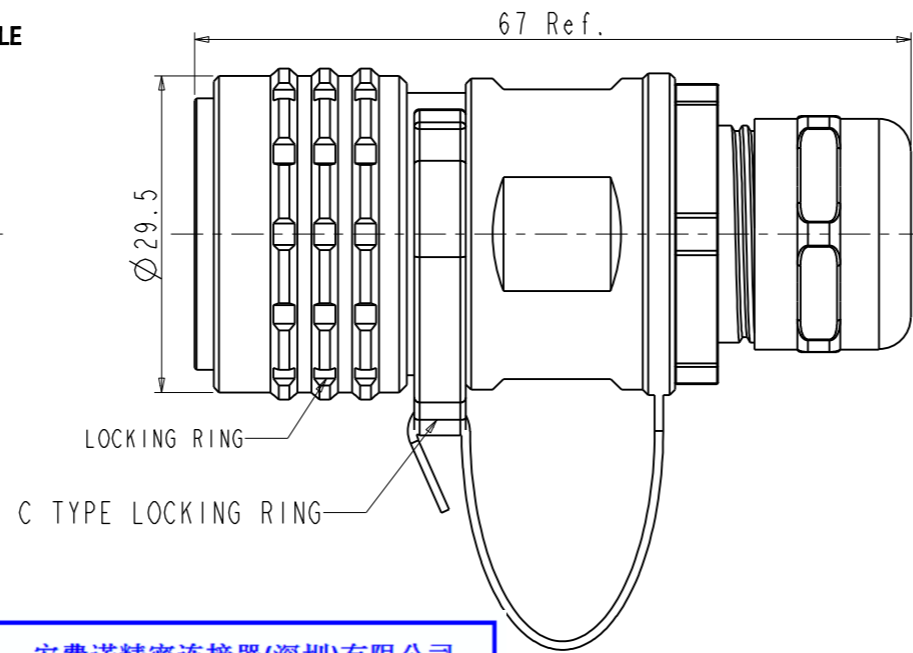


Amphenol PCDSZ
ORIGINAL
PDF Format
R&D



A, B HOLES FOR $\phi 1.0$ INTERLOCK PIN
1, 2, 3 HOLES FOR $\phi 3.0$ POWER PIN



SCOPE OF CABLE OD $\phi 3.0 \sim \phi 4.5$

安费诺精密连接器(深圳)有限公司
Amphenol PCD Shenzhen
受控文件
2018年2月5日

NOTES:

1. FINISHED PRODUCT DOES HAVE NOT THE PIN, NEED TO BUY SEPARATE.
2. THE POWER PIN P/N FOR 4MM² CABLE: HVG30F4 OR HVG30FS4, USE LEVEL: 3PCS
THE POWER PIN P/N FOR 2.5MM² CABLE: HVG30F2 OR HVG30FS2, USE LEVEL: 3PCS
3. THE INTERLOCK PIN P/N: HVG20F1, USE LEVEL: 2PCS
4. WIHT C TYPE LOCK RING AND DUST CAP.
5. TORQUE: 5~8N*M
6. THE SCOPE OF CABLE OD= $\phi 3.0 \sim \phi 4.5$
7. TECHNICAL DATA TABLE

CURRENT RATE (4mm ² CABLE)	32A @ AMBIENT 70° C	+
CURRENT RATE (2.5mm ² CABLE)	23A @ AMBIENT 70° C	+
UL RATING VOLTAGE (OVERVOLTAGE CATEGORY II POLLUTION DEGREE 2)	800V DC	+
OPERATING TEMPERATURE	-40~125° C	
DIELECTRIC WITH STANDING VOLTAGE	3000V AC	+
INSULATION RESISTANCE	2000M Ω MIN. 25° C, NO CABLE	+
DURABILITY	500 CYCLES	⊙
SHIELDING	YES	⊙
WATERPROOF (MATED CONDITION)	IP 67	+
AMBIENT TEMPERATURE	-40~70° C	
TECHNICAL DESCRIPTION	TECHNICAL DATA	FEATURE

8. PART NUMBER DESCRIPTION:

HVG1P403FC XXX 3D X L0000

KEY OF CODING OPTION

- NO CODE: NO KEY & BLACK($w^{\circ}=0^{\circ}$)
- X : KEY X & BLACK($w^{\circ}=270^{\circ}$)
- Y : KEY Y & BLACK($w^{\circ}=315^{\circ}$)
- Z : KEY Z & BLACK($w^{\circ}=90^{\circ}$)
- W : KEY W & BLACK($w^{\circ}=45^{\circ}$)
- XRD: KEY X & RED($w^{\circ}=270^{\circ}$)
- YYL: KEY Y & YELLOW($w^{\circ}=315^{\circ}$)
- ZBL: KEY Z & BLUE($w^{\circ}=90^{\circ}$)
- WGR: KEY W & GREEN($w^{\circ}=45^{\circ}$)

CABLE SIZE OPTION

- 2: 2.5mm² CABLE USE HVG30F2 OR HVG30FS2, USE LEVEL: 3PCS
- 4: 4.0mm² CABLE USE HVG30F4 OR HVG30FS4, USE LEVEL: 3PCS

ANGLE CODE	ANGLE OF KEY(W ^o)	COLOR CODE	COLOR OF LOCKING RING	P/N(FOR EXAMPLE)
NO CODE	0°	NO CODE	BLACK	HVG1P403FC 3D X L0000
X	270°	RD	RED	HVG1P403FC XRD 3D X L0000
Y	315°	YL	YELLOW	HVG1P403FC YYL 3D X L0000
Z	90°	BL	BLUE	HVG1P403FC ZBL 3D X L0000
W	45°	GR	GREEN	HVG1P403FC WGR 3D X L0000
X	270°	NO CODE	BLACK	HVG1P403FC X 3D X L0000
Y	315°			HVG1P403FC Y 3D X L0000
Z	90°			HVG1P403FC Z 3D X L0000
W	45°			HVG1P403FC W 3D X L0000

9. SCOPE OF INNER UNSHIELD CABLE OUTSIDE DIAMETER :

2.5 & 4.0 mm² OD 4.5 Max.
INTERLOCK CABLE OD 2.5 Max.(0.5~0.75mm² CABLE)

DIMENSIONS ANSI Y14.5M UNITS: MM Pro/E FILE	TOLERANCES .X ±0.5 .XX ±0.05 ANGLES ±0.5°	PROJECTION 	TITLE THREE CORE PLUG ASSEMBLY WITH INTERLOCK		
			SIZE A3	PART NO. C-HVGIP403FCXXX3DXL0000	REV 2
ORIGINAL NOT FOR CUSTOMER DISTRIBUTION	THIS DOCUMENT CONTAINS PROPRIETARY INFORMATION WHICH IS THE CONFIDENTIAL PROPERTY OF AMPHENOL PCD SHENZHEN		CHKD	APPD	CODE: 58982
			SCALE: 2:1	SHEET 1 OF 1	