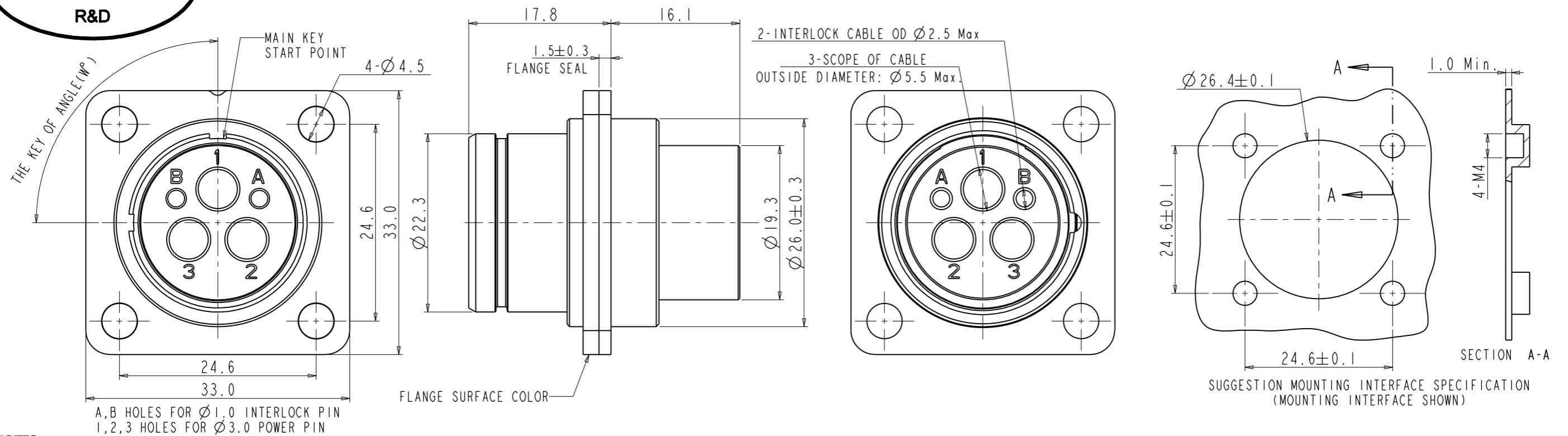


Amphenol PCDSZ
ORIGINAL
PDF Format
R&D



- NOTES:**
1. FINISHED PRODUCT DOES HAVE NOT THE PIN, NEED TO BUY SEPARATE.
 2. THE POWER PIN P/N FOR 4MM² CABLE: HVG30F4 OR HVG30FS4, USE LEVEL: 3PCS
THE POWER PIN P/N FOR 2.5MM² CABLE: HVG30F2 OR HVG30FS2, USE LEVEL: 3PCS
 3. THE INTERLOCK PIN P/N: HVG20F1, USE LEVEL: 2PCS
 4. SCREW M4(DIMENTION REFER GB/T 70.1-2000)
REVAILING TORQUES: 0.5 N*M
 5. TECHNICAL DATA TABLE

CURRENT RATE (4mm ² CABLE)	32A @ AMBIENT 70° C	✦
CURRENT RATE (2.5mm ² CABLE)	23A @ AMBIENT 70° C	✦
UL RATING VOLTAGE (OVERVOLTAGE CATEGORY II POLLUTION DEGREE 2)	800V DC	✦
OPERATING TEMPERATURE	-40~125° C	
DIELECTRIC WITH STANDING VOLTAGE	3000V AC	✦
INSULATION RESISTANCE	2000MΩ MIN. 25° C, NO CABLE	✦
DURABILITY	500 CYCLES	⊙
SHIELDING	YES	⊙
WATERPROOF (MATED CONDITION)	IP 67	✦
AMBIENT TEMPERATURE	-40~70° C	
TECHNICAL DESCRIPTION	TECHNICAL DATA	FEATURE

- 7. PART NUMBER DESCRIPTION:**
HVG1S403FC XXX
- KEY OF CODING OPTION**
- BK: NO KEY & BLACK(w° =0°)
 - XBK: KEY X & BLACK(w° =270°)
 - YBK: KEY Y & BLACK(w° =315°)
 - ZBK: KEY Z & BLACK(w° =90°)
 - WBK: KEY W & BLACK(w° =45°)
 - XRD: KEY X & RED(w° =270°)
 - YY : KEY Y & YELLOW(w° =315°)
 - ZBL: KEY Z & BLUE(w° =90°)
 - WGR: KEY W & GREEN(w° =45°)
 - NO CODE: NO KEY & PLATING COLOR(w° =0°)
 - X : KEY X & PLATING COLOR(w° =270°)
 - Y : KEY Y & PLATING COLOR(w° =315°)
 - Z : KEY Z & PLATING COLOR(w° =90°)
 - W : KEY W & PLATING COLOR(w° =45°)
 - YRD: KEY Z & RED(w° =315°)

ANGLE CODE	ANGLE OF KEY(W°)	COLOR CODE	COLOR OF LOCKING RING	P/N(FOR EXAMPLE)
NO CODE	0°			HVG1S403FC BK
X	270°	BK	BLACK	HVG1S403FC X BK
Y	315°			HVG1S403FC Y BK
Z	90°			HVG1S403FC Z BK
W	45°			HVG1S403FC W BK
X	270°	RD	RED	HVG1S403FC X RD
Y	315°	Y	YELLOW	HVG1S403FC Y Y
Z	90°	BL	BLUE	HVG1S403FC Z BL
W	45°	GR	GREEN	HVG1S403FC W GR
NO CODE	0°	NO CODE	PLATING COLOR	HVG1S403FC
X	270°			HVG1S403FC X
Y	315°			HVG1S403FC Y
Z	90°			HVG1S403FC Z
W	45°			HVG1S403FC W
Y	315°	RD	RED	HVG1S403FC Y RD

- 6. SCOPE OF INNER SINGLE CABLE OUTSIDE DIAMETER :**
2.5 & 4.0 mm² OD 5.5 Max.
INTERLOCK CABLE OD 2.5 Max.(0.5~0.75mm² CABLE)

DIMENSIONS ANSI Y14.5M UNITS: MM Pro/E FILE	TOLERANCES .X ±0.5 .XX ±0.05 ANGLES ±0.5°	PROJECTION 	TITLE TRIPLEX RECEPTACLE ASSEMBLY WITH INTERLOCK			
			ENGR	SIZE A3	DWG NO. C-HVG1S403FCXXX	REV 1
ORIGINAL NOT FOR CUSTOMER DISTRIBUTION	THIS DOCUMENT CONTAINS PROPRIETARY INFORMATION WHICH IS THE CONFIDENTIAL PROPERTY OF AMPHENOL PCD SHENZHEN		CHKD	CODE: 58982	SCALE: 2:1	SHEET 1 OF 1
			APPD			

安费诺精密连接器(深圳)有限公司
Amphenol PCD Shenzhen
受控文件
2018年2月5日

C-HVGIS403FCXXX

C-HVGIS403FCXXX