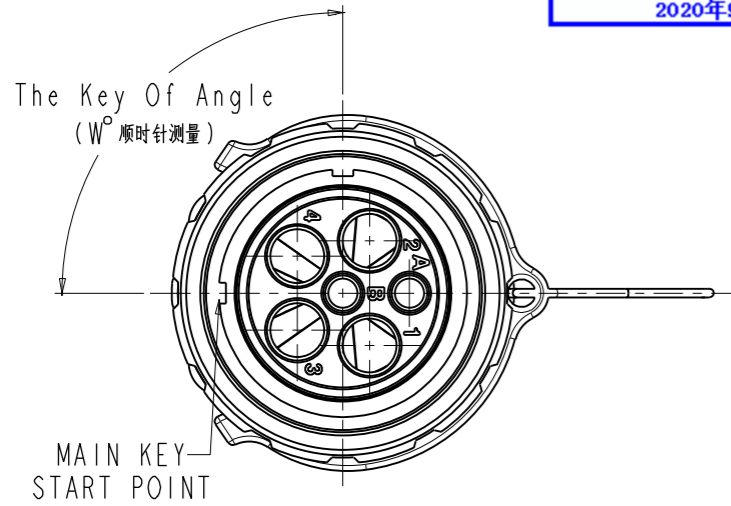


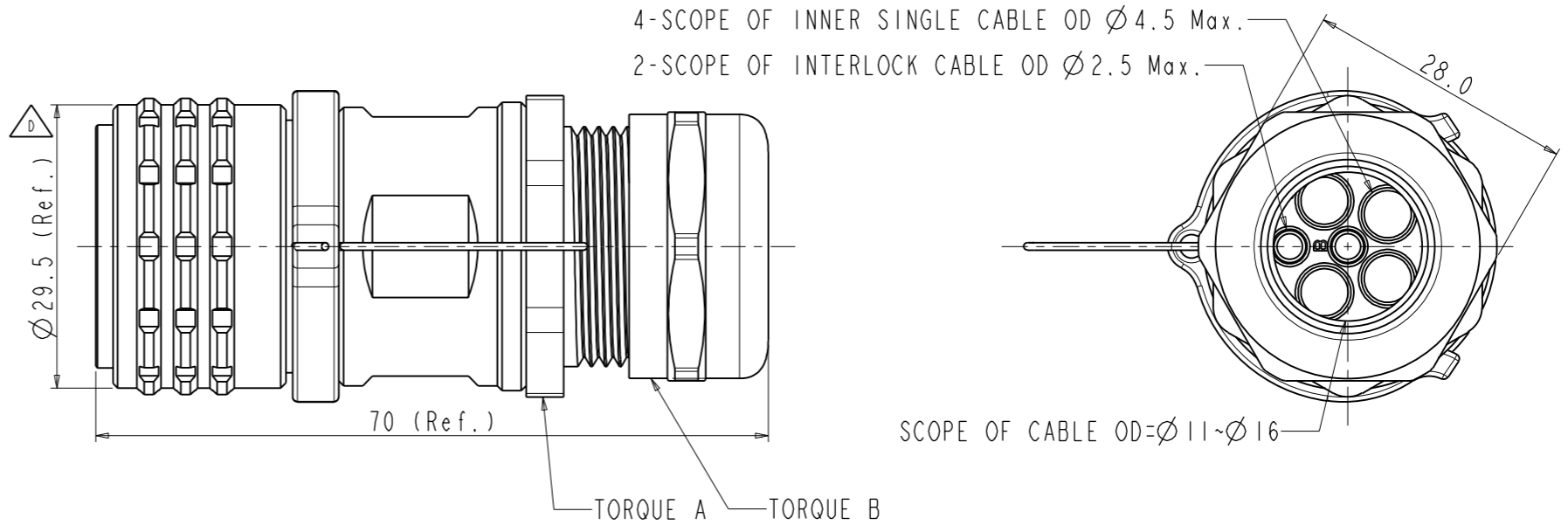
Amphenol PCD SZ
ORIGINAL
PDF Format
R&D

安费诺精密连接器(深圳)有限公司
Amphenol PCD Shenzhen
受控文件
2020年9月30日

REV	ECN	DESCRIPTION	DATE	MODIFIED
B		CHANGED THE KEY DEFINE	2017.08.18	Jophy.Li
C		TORQUE CHANGED TO 8 N.M	2018.01.18	Jophy.Li
D	R4251N	UPDATE THE DRAWING DATA	2020.04.05	LEON.YANG



A, B HOLES FOR $\varnothing 1.6$ INTERLOCK PIN
1~4 HOLES FOR $\varnothing 3.0$ POWER PIN



NOTES:

- 1.PRODUCT DO NOT HAVR THE PIN, NEED TO BUY SEPARATE.
- 2.THE POWER PIN P/N FOR 4MM² CABLE:HVG30FS4 OR HVG30F4, USE LEVEL:4PCS
OR 2.5MM² CABLE:HVG30FS2 OR HVG30F2, USE LEVEL:4PCS
- 3.THE INTERLOCK PIN P/N:ASRC16SC001AU, USE LEVEL:2PCS
- 4.TORQUEA:7-8N.m; TORQUE B:10-15N.m
- 5.THE SCOPE OF CABLE OD= $\varnothing 11$ ~ $\varnothing 16$
- 6.TECHNICAL DATA TABLE

7.PART NUMBER DESCRIPTION:
HVG1P404FC XXX 4A X L0000

8.SCOPE OF INNER SINGLE CABLE OUTSIDE DIAMETER
2.5 & 4.0 mm² OD 4.5 Max.
INTERLOCK CABLE OD 2.5 Max.(0.5~0.75mm² CABLE)

KEY OF CODING OPTION

XRD:KEY X & RED(w°=270°)
YGR:KEY Y & GREEN(w°=315°)
ZBL:KEY Z & BLUE(w°=90°)
WYL:KEY W & YELLOW(w°=45°)
NBK:NO KEY & BLACK(w°=0°)

CABLE SIZE OPTION

2:2.5mm² CABLE USE HVG30FS2, OR HVG30F2, USE LEVEL: 4PCS
4:4.0mm² CABLE USE HVG30FS4, OR HVG30F4, USE LEVEL: 4PCS

ANGLE CODE	ANGLE	COLOR CODE	COLOR	P/N (FOR EXAMPLE)
X	270°	RD	RED	HVG1P404FCXRD4AXL0000
Y	315°	GR	GREEN	HVG1P404FCYGR4AXL0000
Z	90°	BL	BLUE	HVG1P404FCZBL4AXL0000
W	45°	YL	YELLOW	HVG1P404FCWYL4AXL0000
N	NO KEY	BK	BLACK	HVG1P404FCNBK4AXL0000

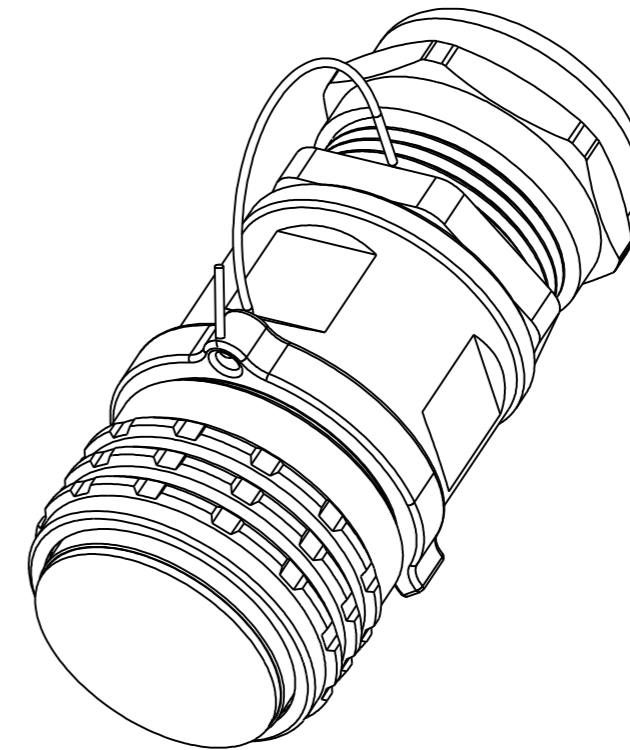
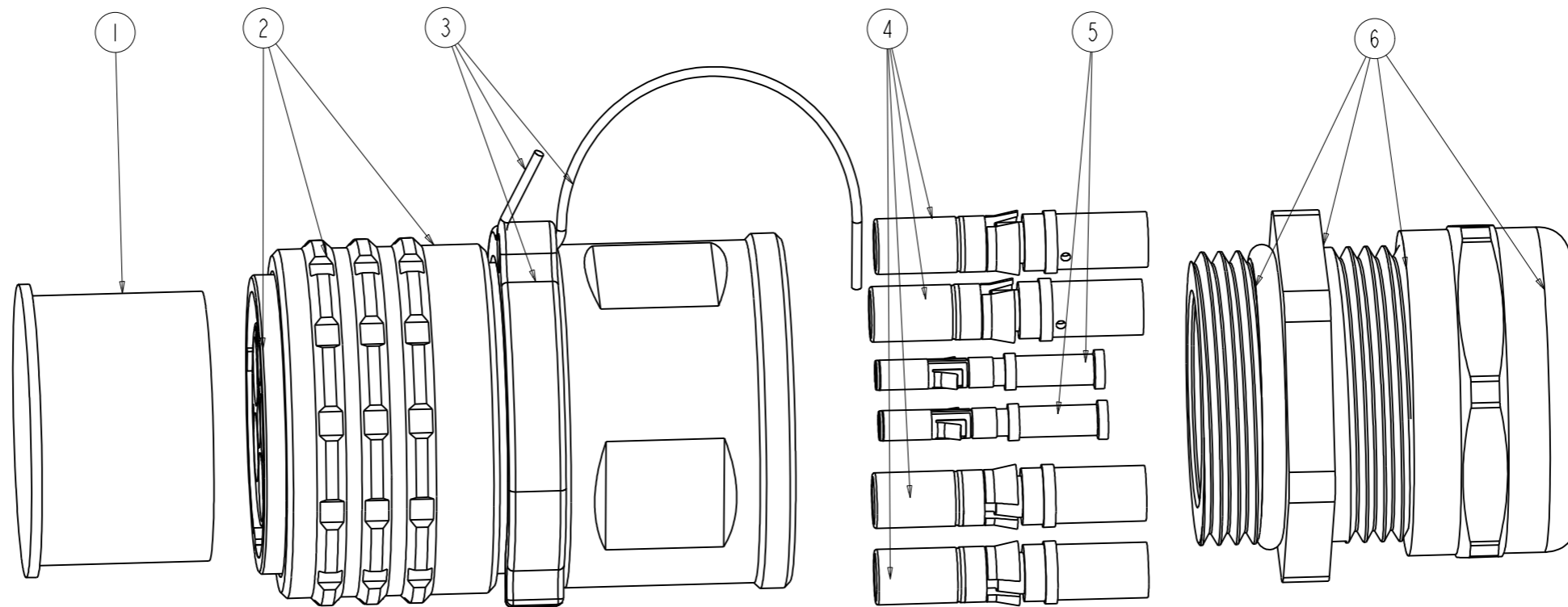
CURRENT RATE (4mm ² CABLE)	32A @ AMBIENT 70°C	+
CURRENT RATE (2.5mm ² CABLE)	23A @ AMBIENT 70°C	+
RATING VOLTAGE (OVERVOLTAGE CATEGORY II POLLUTION DEGREE 2)	800V DC	+
OPERATING TEMPERATURE	-40~125°C	
DIELECTRIC WITHSTANDING VOLTAGE	3000V AC(RMS)	+
INSULATION RESISTANCE	100M Ω MIN.@25°C	+
DURABILITY	500 CYCLES	⊙
SHIELDING	YES	△
WATERPROOF (MATED CONDITION)	IP 67	+
CORROSION-PROOF GRADE (SALT FOG TEST)	48 HOURS	
AMBIENT TEMPERATURE	-40~70°C	
TECHNICAL DESCRIPTION	TECHNICAL DATA	FEATURE

+:CRITICAL CHARACTERISTICS关键特性
⊙:IMPORTANT CHARACTERISTICS重要特性

DIMENSIONS	TOLERANCES	PROJECTION	TITLE		
ANSI Y14.5M UNITS: MM Pro/E FILE	.X ±0.5 .XX ±0.05 ANGLES ±2°		Amphenol PCD Shenzhen		
ORIGINAL	THIS DOCUMENT CONTAINS PROPRIETARY INFORMATION WHICH IS THE CONFIDENTIAL PROPERTY OF AMPHENOL PCD SHENZHEN	ENGR JASON.C 21/07/20	SIZE A3	DWG NO. C-HVG1P404FCXXX4AXL0000	REV D
		CHKD <i>Senbao</i> APPD <i>Jock</i>	CODE: 58982	SCALE: 1:1	SHEET 1 OF 2

Amphenol PCDSZ
ORIGINAL
PDF Format
R&D

安费诺精密连接器(深圳)有限公司
Amphenol PCD Shenzhen
受控文件
2020年9月30日



9. ASSEMBLY AND DETAIL BOM LIST SHOW

9.1. DETAIL BOM LIST

HVG1P404FC XXX 4A 4 L0000	6	C421005904	1	CABLE GLAND HSM-EMV.SC-M25
	5	ASRC16SC001AU	2	SMALL SIGNAL PIN Ø1.6(BUY SEPARATE)
	4	HVG30FS4 OR HVG30F4	4	4.0mm ² POWER PIN Ø3.0 (BUY SEPARATE)
	3	C421005016	2	黑色8字铝扣_压0.8mm钢丝绳
		C421005016	0.3	0.8mm钢丝绳
		C422005806	1	CLIP FOR UNLOCK, SIZE4
	2	MAIN BODY	1	MAIN BODY
1	C422005984	1	DUST COVER	

HVG1P404FC XXX 4A 2 L0000	6	C421005904	1	CABLE GLAND HSM-EMV.SC-M25
	5	ASRC16SC001AU	2	SMALL SIGNAL PIN Ø1.6(BUY SEPARATE)
	4	HVG30FS2 OR HVG30F2	4	2.5MM ² POWER PIN Ø3.0 (BUY SEPARATE)
	3	C421005016	2	黑色8字铝扣_压0.8mm钢丝绳
		C421005016	0.3	0.8mm钢丝绳
		C422005806	1	CLIP FOR UNLOCK, SIZE4
	2	MAIN BODY	1	MAIN BODY
1	C422005984	1	DUST COVER	

PART NUMBER	ITEM	COMPONENT P/N	QUANTITY	DESCRIPTION
-------------	------	---------------	----------	-------------

SIZE	DWG NO.	REV
A3	C-HVG1P404FCXXX4AXL0000	D
CODE: 58982	SCALE: 1:1	SHEET 2 OF 2

C-HVG1P404FCXXX4AXL0000

C-HVG1P404FCXXX4AXL0000