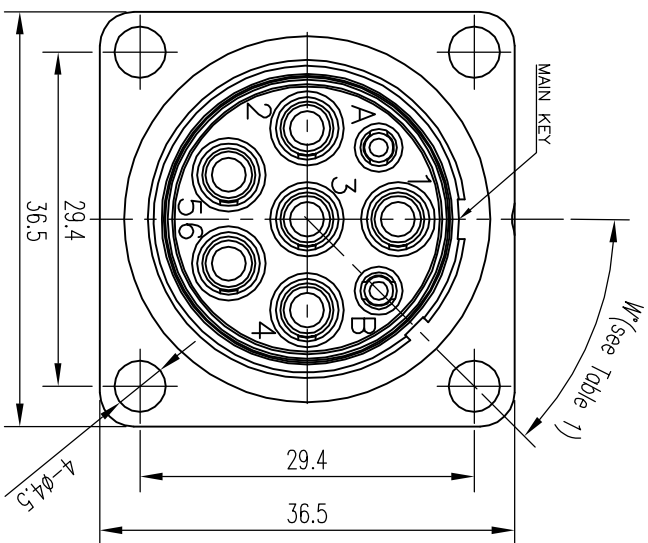
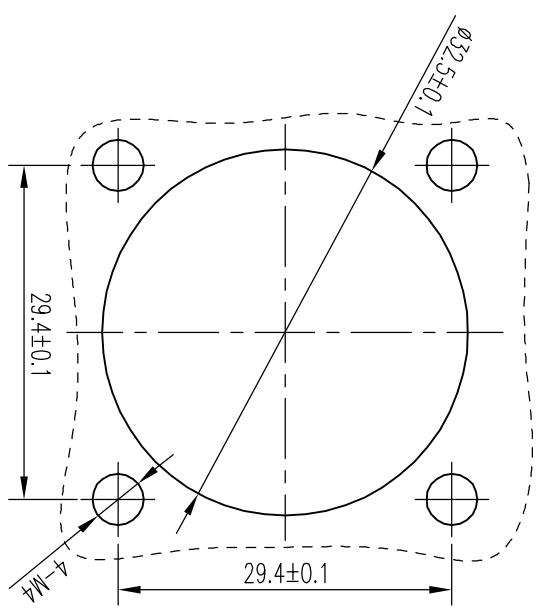
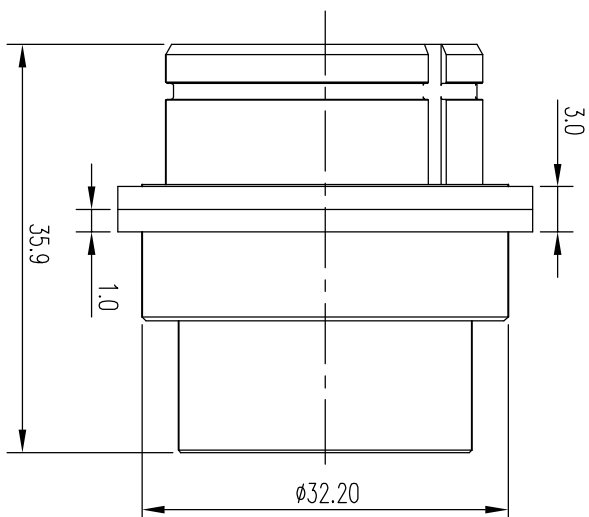


安费诺精密连接器(深圳)有限公司
 Amphenol PCD Shenzhen
受控文件
 2017年10月12日



A, B HOLES FOR $\phi 1.6$ SIGNAL PIN
 1~6 HOLES FOR $\phi 3.0$ POWER PIN

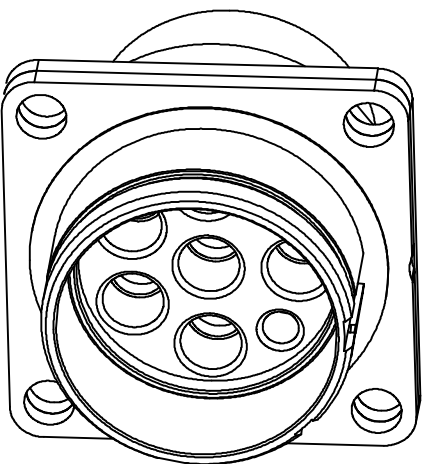


PANEL CUT OUT REFERENCE VIEW

- NOTES:
1. FINISHED PRODUCT DOES HAVE NOT THE PIN, NEED TO BUY SEPARATE.
 2. BUY THE BIG POWER PIN P/N FOR 4mm² CABLE: HVG30M4, USE LEVEL: 6PCS OR 2.5mm² CABLE: HVG30M2, USE LEVEL: 6PCS
 3. THE SMALL SIGNAL PIN P/N: ASRC16PC001AU, USE LEVEL: 2PCS
 4. THE PART NUMBER DESCRIPTION:
 HVG1S406MC XXX X

6. TABLE 2

TECHNICAL DATA:	
CURRENT RATE 2.5MM ² WIRE)	23A@70°C
CURRENT RATE 4MM ² WIRE	32A@70°C
UL RATING VOLTAGE POLLUTION DEGREE 2	800VDC
OPERATING TEMPERATURE	-40~125°C
DIELECTRIC WITHSTANDING VOLTAGE	3000V AC
INSULATION RESISTANCE	2000MEGOHM MS MIN. (25°C)
DURABILITY	500 CYCLES
SHIELDING	--
WATERPROOF	IP67
CORROSION-PROOF GRADE (SALT FOG TEST)	96 HOURS



5. TABLE 1

ANGLE CODE	ANGLE CODE OPTION	W°(ANGLE)	COLOR CODE OPTION	COLOR	P/N (FOR EXAMPLE)
X		270°	RD	RED	HVG1S406MCXRDX
Y		315°	GR	GREEN	HVG1S406MCYGNX
Z		90°	BL	BLUE	HVG1S406MCZBLX
W		45°	YL	YELLOW	HVG1S406MCWYLX
N		NO KEY	BK	BLACK	HVG1S406MCNBKX

ANGLE CODE & COLOR CODE OPTION

XRD: W°=270° & RED COLOR
 YGR: W°=315° & GREEN COLOR
 ZBL: W°=90° & BLUE COLOR
 WYL: W°=45° & YELLOW COLOR
 NBK: W°=0°(NO KEY) & BLACK COLOR

CABLE CODE OPTION

2: 2.5mm² CABLE PIN HVG30M2
 4: 4.0mm² CABLE PIN HVG30M4

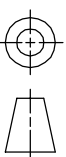
DIMENSIONS

ANSI Y14.5M
 UNITS: MM
 CAD FILE

TOLERANCES

X ± 0.5
 .XX ±0.20
 ANGLES ±0.5°

PROJECTION



Amphenol Pcd Shenzhen

ENGR

CHKD

APPD

TITLE

HVG 406 RECP ASSEMBLY

SIZE DWG NO.

A3

C-HVG1S406MCXXXX

REV

1

CODE:

SCALE 3:1

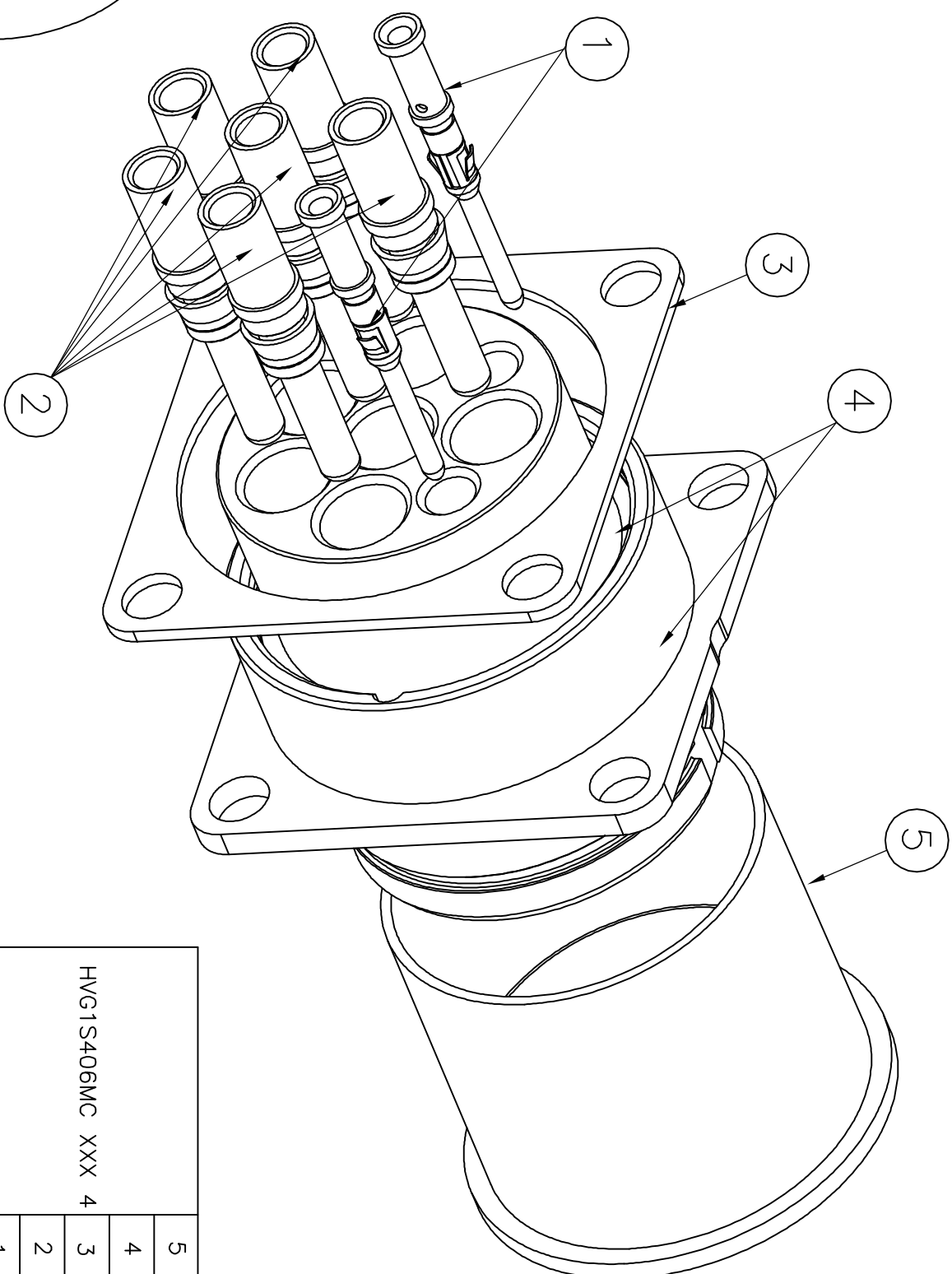
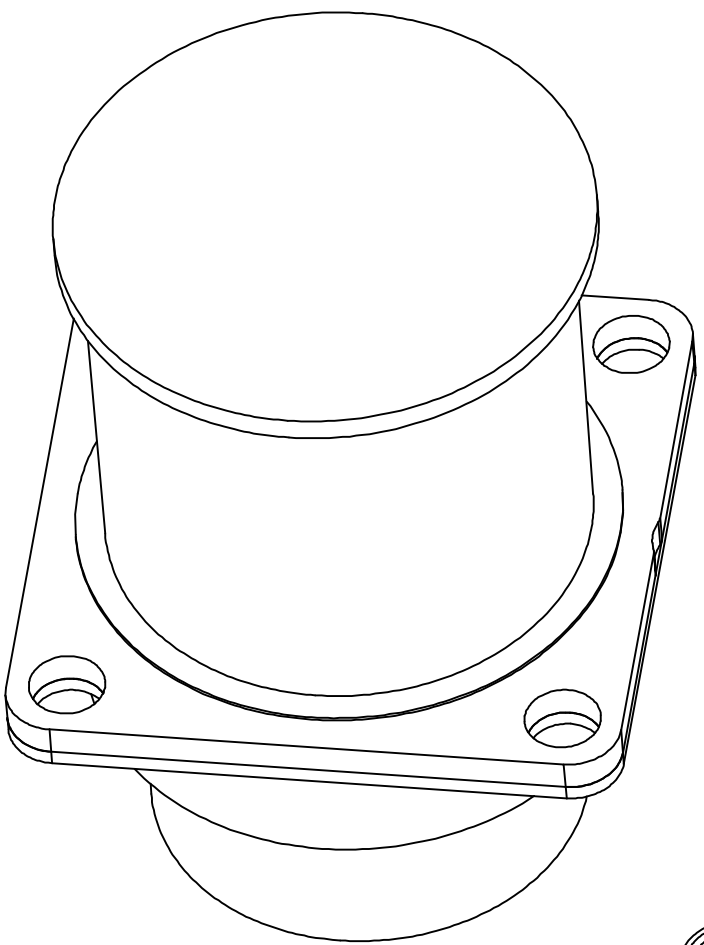
SHEET

1 OF 2

ORIGINAL
 NOT FOR
 CUSTOMER
 DISTRIBUTION

THIS DOCUMENT CONTAINS
 PROPRIETARY INFORMATION WHICH
 IS THE CONFIDENTIAL PROPERTY
 OF AMPHENOL PCD SHENZHEN

安费诺精密连接器(深圳)有限公司
 Amphenol PCD Shenzhen
受控文件
 2017年10月12日



ASSEMBLY VIEW

HVG1S406MC XXX 4	5	C420005985	1
	4	MAIN BODY	1
	3	C4270005910	1
	2	HVG30M4	6
	1	ASRC16PC001AU	2
HVG1S406MC XXX 2	5	C420005985	1
	4	MAIN BODY	1
	3	C4270005910	1
	2	HVG30M2	6
PART NUMBER	1	ASRC16PC001AU	2
	ITEM	COMPONENT P/N	QUANTITY

HVG 406 RECP ASSEMBLY

SIZE	DWG NO.	REV
A3	C-HVG1S406MCXXXX	1
CODE:	SCALE	SHEET
	3:1	2 OF 2