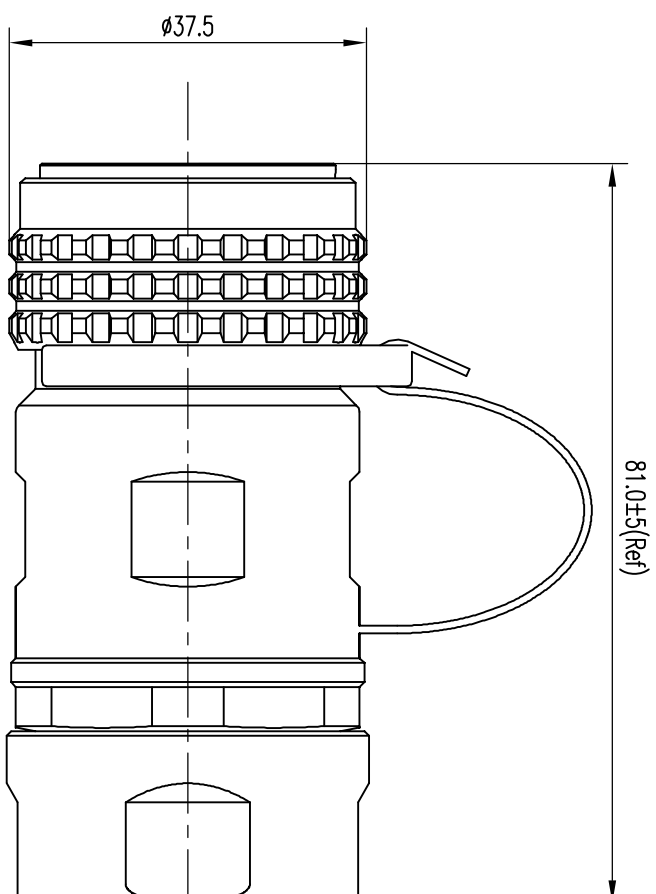


A, B HOLES FOR $\phi 1.6$ SIGNAL PIN
1~6 HOLES FOR $\phi 3.0$ POWER PIN

安费诺精密连接器(深圳)有限公司
Amphenol PCD Shenzhen
受控文件
2017年10月12日

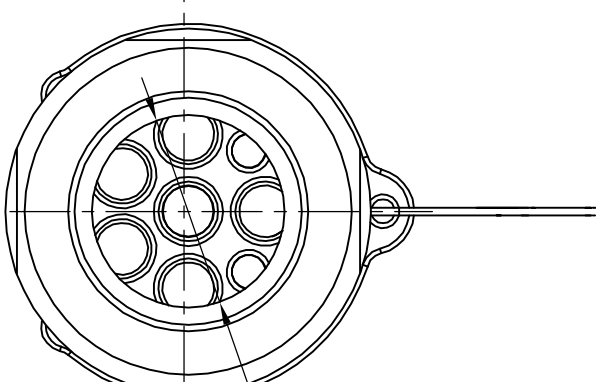
8. TABLE 2

TECHNICAL DATA:	
CURRENT RATE 2.5MM ² WIRE)	23A@70°C
CURRENT RATE 4MM ² WIRE	32A@70°C
UL RATING VOLTAGE POLLUTION DEGREE 2	800VDC
OPERATING TEMPERATURE	-40~125°C
DIELECTRIC WITHSTANDING VOLTAGE	3000V AC
INSULATION RESISTANCE	2000MEGOHM MS MIN. (25°C)
DURABILITY	500 CYCLES
SHIELDING	--
WATERPROOF	IP67
CORROSION-PROOF GRADE (SALT FOG TEST)	96 HOURS

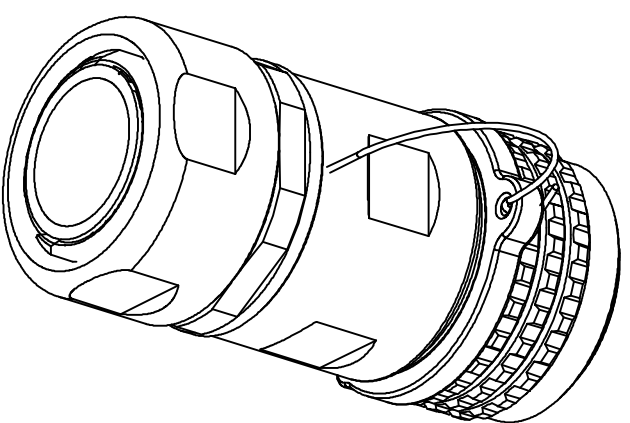


NOTES:

1. FINISHED PRODUCT DOES HAVE NOT THE PIN, NEED TO BUY SEPARATE.
2. THE BIG POWER PIN P/N FOR 4mm² CABLE: HVG30FS4, USE LEVEL: 6PCS OR 2.5mm² CABLE: HVG30FS2, USE LEVEL: 6PCS
3. THE SMALL SIGNAL PIN P/N: ASRC16SC001AU, USE LEVEL: 2PCS
4. TORQUE: 10 N.m
5. THE SCOPE OF CABLE OD $\phi 12\sim\phi 15$ FOR 2.5mm², $\phi 13\sim\phi 16$ FOR 4.0mm²
6. THE PART NUMBER DESCRIPTION:
HVG1P406FC XXX 6A X L0000



SCOPE OF CABLE OD
 $\phi 12\sim\phi 15$ FOR 2.5mm²
 $\phi 13\sim\phi 16$ FOR 4.0mm²



7. TABLE 1

ANGLE CODE	ANGLE CODE OPTION	W(ANGLE)	COLOR CODE OPTION	COLOR	P/N (FOR EXAMPLE)
X		270°	RD	RED	HVG1P406FCXR6AXL0000
Y		315°	GN	GREEN	HVG1P406FCYGN6AXL0000
Z		90°	BL	BLUE	HVG1P406FCZBL6AXL0000
W		45°	YL	YELLOW	HVG1P406FCWYL6AXL0000
N		NO KEY	BK	BLACK	HVG1P406FCNBK6AXL0000

ANGLE CODE & COLOR CODE OPTION

XRD: W°=270° & RED COLOR
YGR: W°=315° & GREEN COLOR
ZBL: W°=90° & BLUE COLOR
WYL: W°=45° & YELLOW COLOR
NBK: W°=0°(NO KEY) & BLACK COLOR

CABLE CODE OPTION

2: 2.5mm² CABLE PIN HVG30FS2
4: 4.0mm² CABLE PIN HVG30FS4

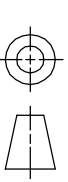
DIMENSIONS

ANSI Y14.5M
UNITS: MM
CAD FILE

TOLERANCES

X ± 0.5
.XX ± 0.20
ANGLES ± 0.5°

PROJECTION



Amphenol Pcd Shenzhen

ENGR

CHKD

APPD

TITLE

HVG 406 PLUG ASSEMBLY

SIZE A3

DWG NO. C-HVG1P406FCXXX6AXL0000

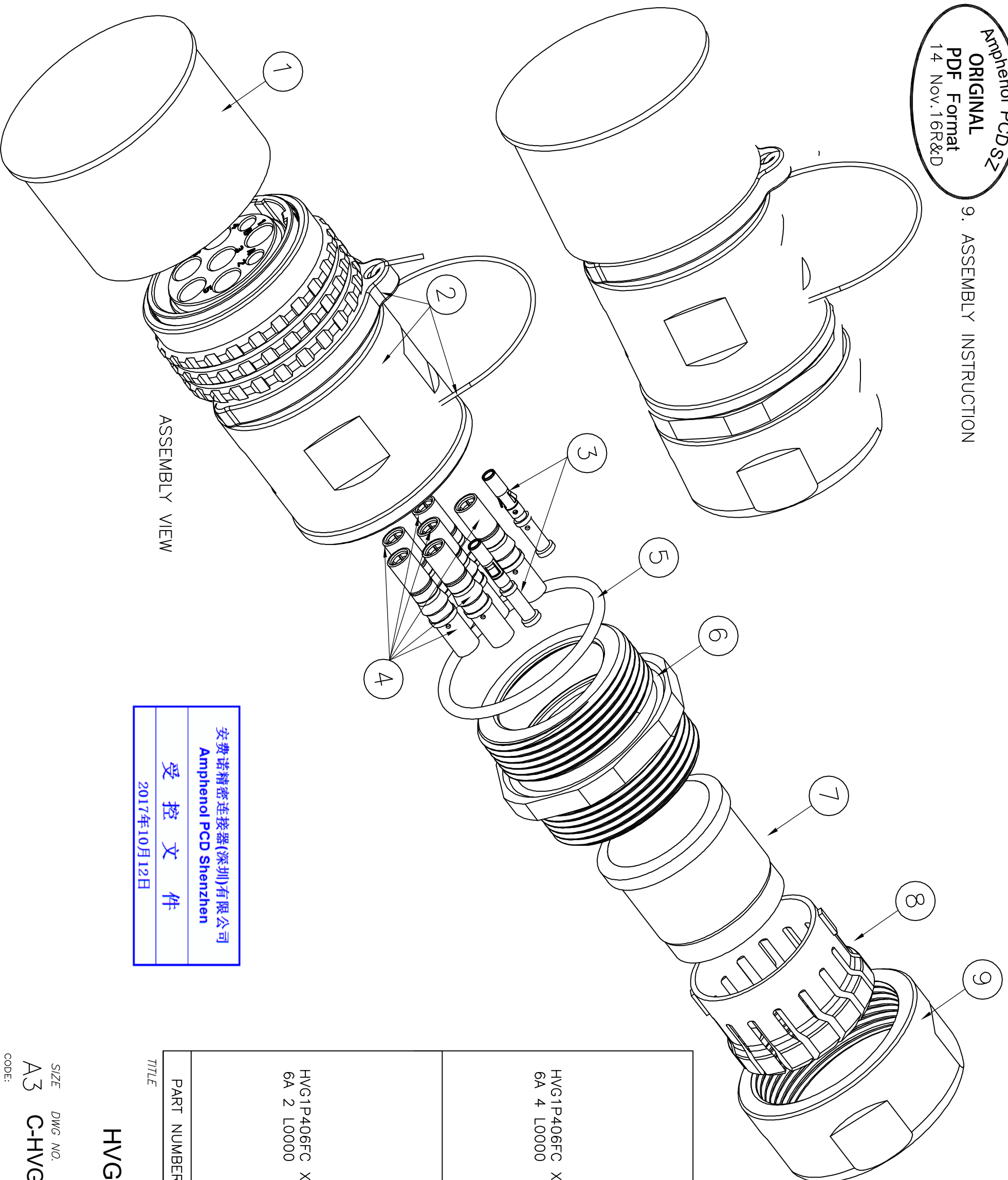
SCALE 5:4

SHEET 1 OF 2

REV 1

ORIGINAL NOT FOR CUSTOMER DISTRIBUTION

THIS DOCUMENT CONTAINS PROPRIETARY INFORMATION WHICH IS THE CONFIDENTIAL PROPERTY OF AMPHENOL PCD SHENZHEN



ASSEMBLY VIEW

安费诺精密连接器(深圳)有限公司
 Amphenol PCD Shenzhen
 受控文件
 2017年10月12日

PART NUMBER	ITEM	COMPONENT P/N	QUANTITY
HVG1P406FC XXX 6A 4 L0000	9	C4200011108	1
	8	C4220011108	1
	7	C42700111061	1
	6	C4200011107	1
	5	C4270011102	1
	4	HVG30FS4	6
	3	ASRC16SC001AU	2
	2	MAIN BODY	1
	1	C4220005987	1
HVG1P406FC XXX 6A 2 L0000	9	C4200011108	1
	8	C4220011108	1
	7	C42700111062	1
	6	C4200011107	1
	5	C4270011102	1
	4	HVG30FS4	6
	3	ASRC16SC001AU	2
	2	MAIN BODY	1
	1	C4220005987	1

TITLE

HVG 406 PLUG ASSEMBLY