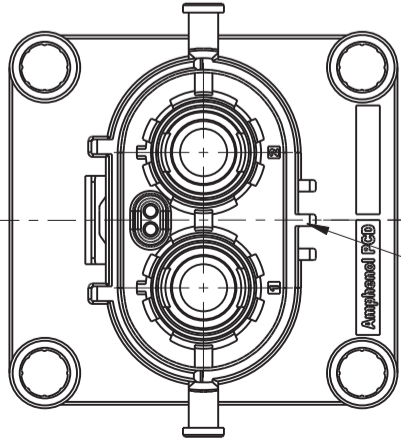
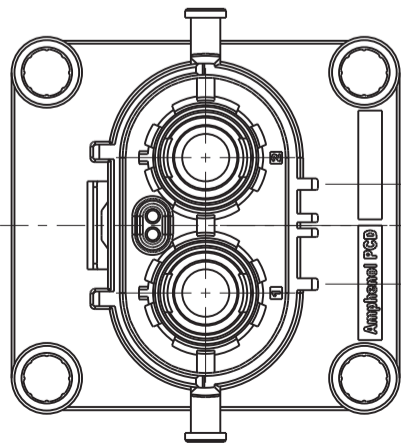


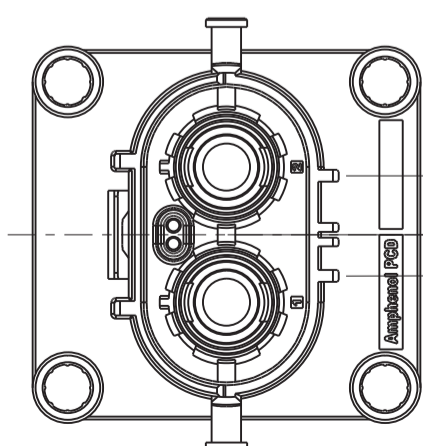
Amphenol PCDSZ
ORIGINAL
PDF Format
R&D



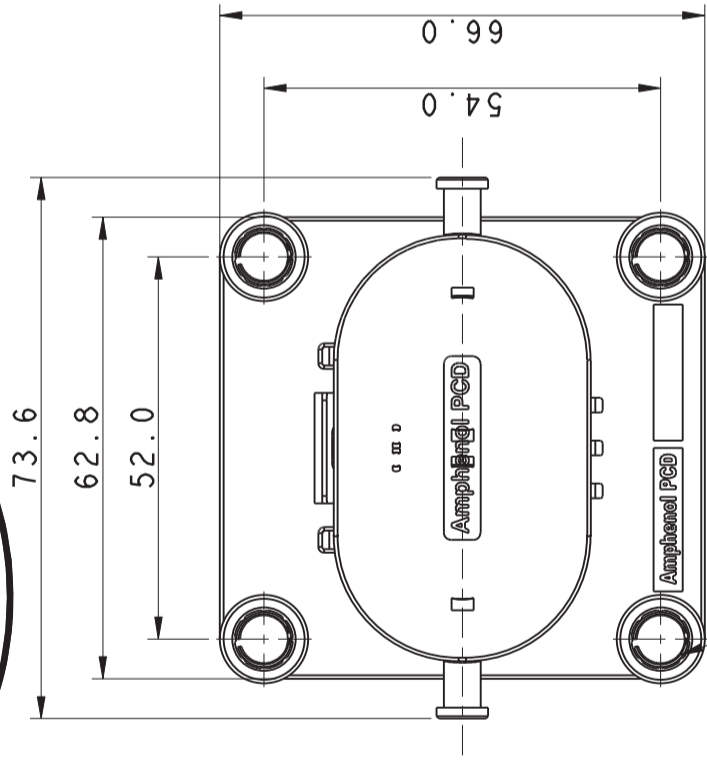
HVSL800022AXXX
CODING A



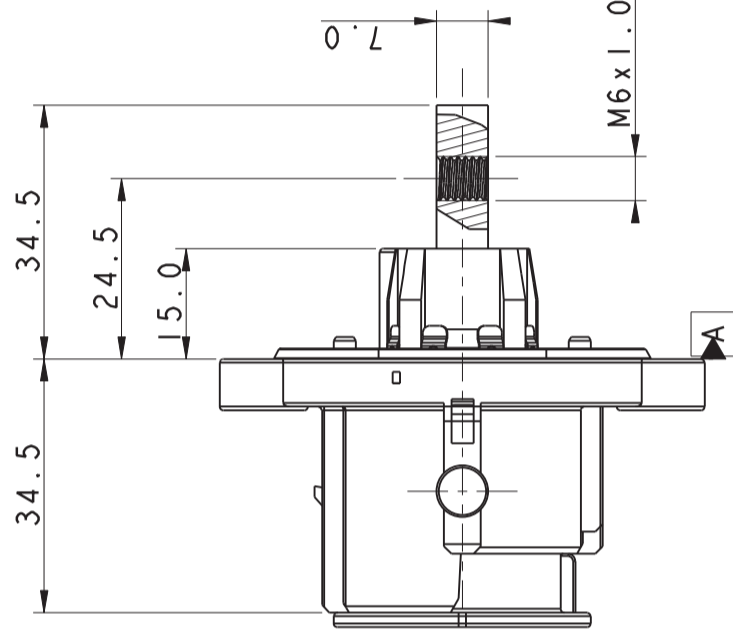
HVSL800022BXXX
CODING B



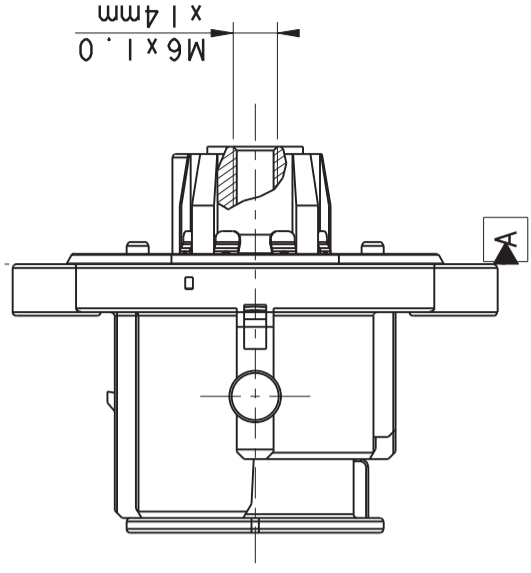
HVSL800022CXXX
CODING C



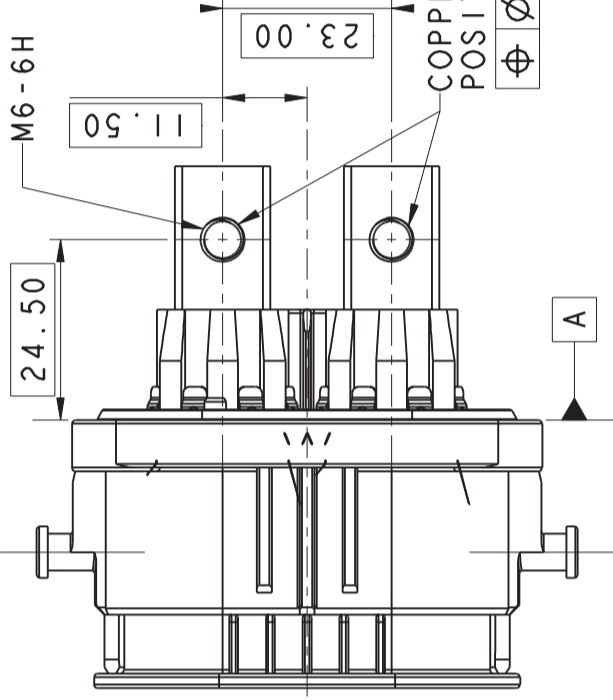
M6 SCREW AND WASHER APPLICABLE



POWER CONTACT HOLE TERMINATION



POWER CONTACT SCREW TERMINATION - INTERNAL



COPPER ROW AND TERMINAL SCREW HOLE POSITION DEGREE REQUIREMENTS:
Φ 0.50 A B

HOW TO ORDER

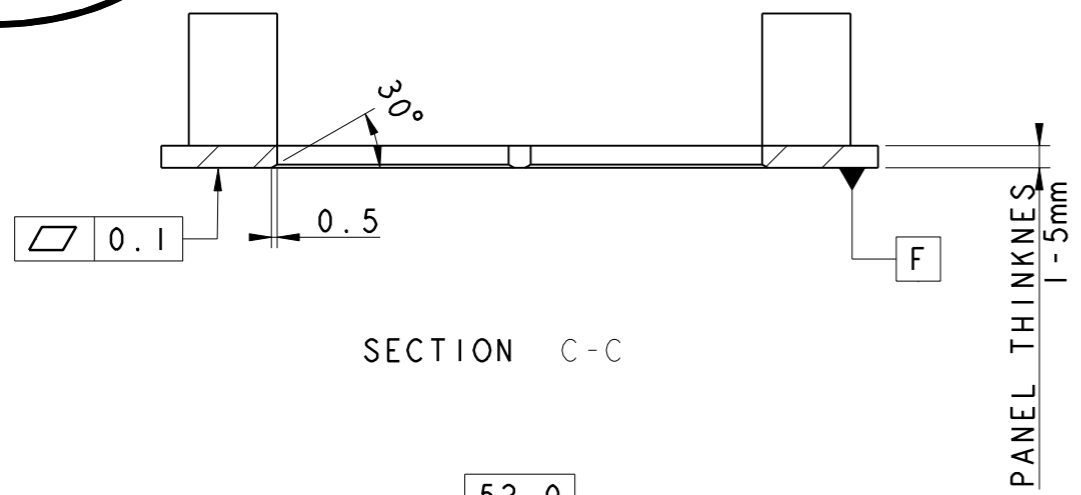
HVSL 800 02 2X X XX

- A: CODING A 0: WITHOUT HVIL H6: HOLE TERMINATION (M6 THREAD)
- B: CODING B 1: WITH HVIL
- C: CODING C D6: SCREW TERMINATION - INTERNAL (M6 THREAD)

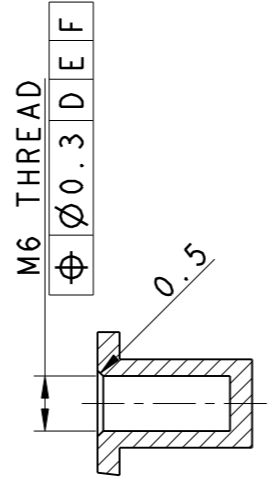
TITLE HVSL 800 02 2 X X XX RECEPTACLE ASSEMBLY		SIZE A3	DWG NO. C-HVSL800022XXXX	REV 6
ENGR		CHKD		
PROJECTION		APPD		
DIMENSIONS	TOLERANCES	THIS DOCUMENT CONTAINS PROPRIETARY INFORMATION WHICH IS THE CONFIDENTIAL PROPERTY OF AMPHENOL PCD SHENZHEN		
ANSI Y14.5M	X ±0.5			
UNITS: MM	.XX ±0.05			
Pro/E FILE	ANGLES ±0.5°			
ORIGINAL NOT FOR CUSTOMER DISTRIBUTION		CODE: 58982	SCALE: 1:1	SHEET 1 OF 3

Amphenol PCDSZ
ORIGINAL
PDF Format
R&D

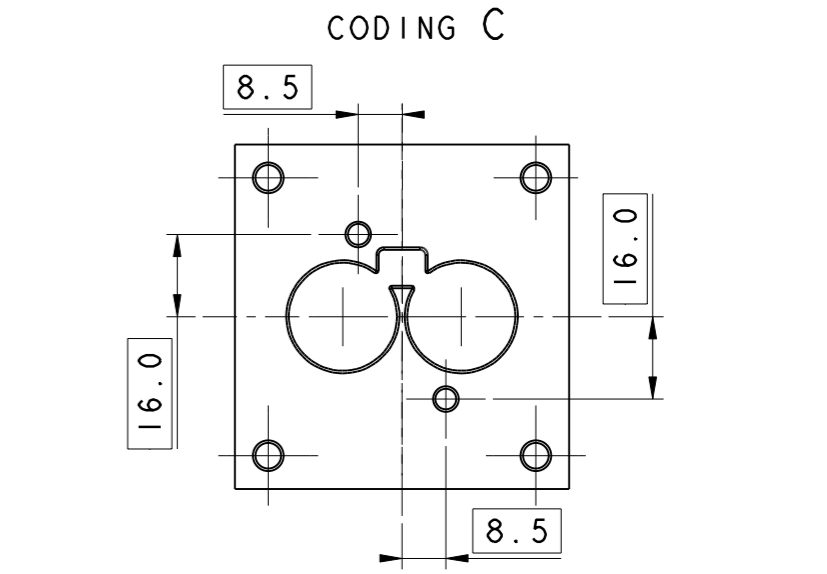
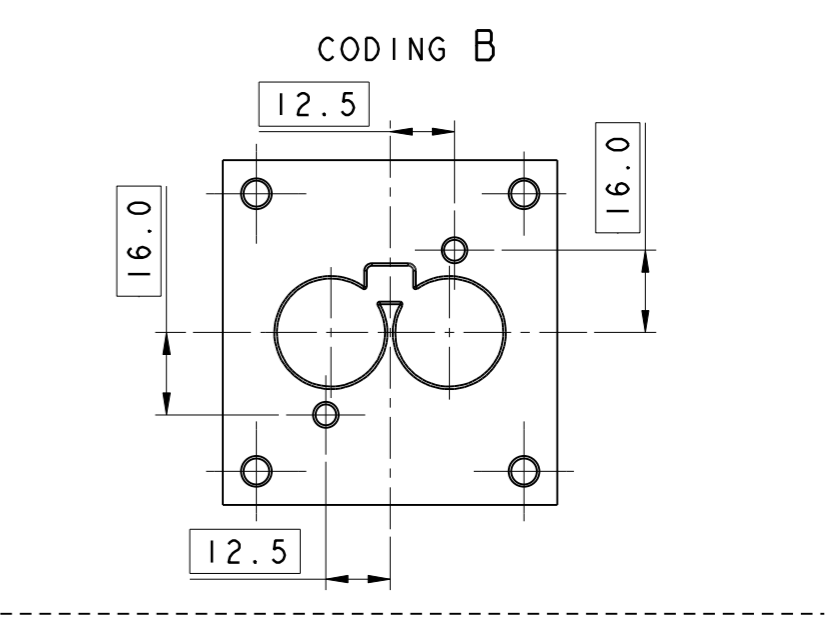
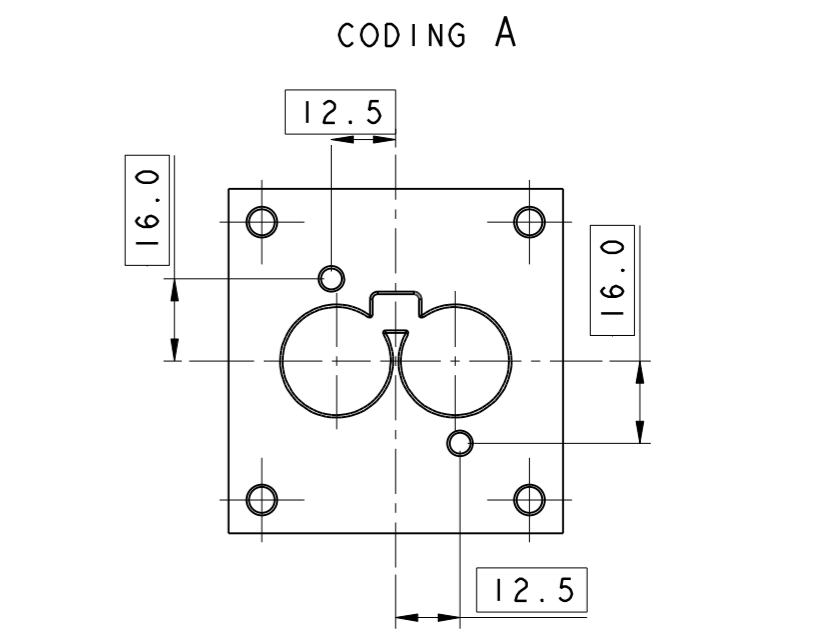
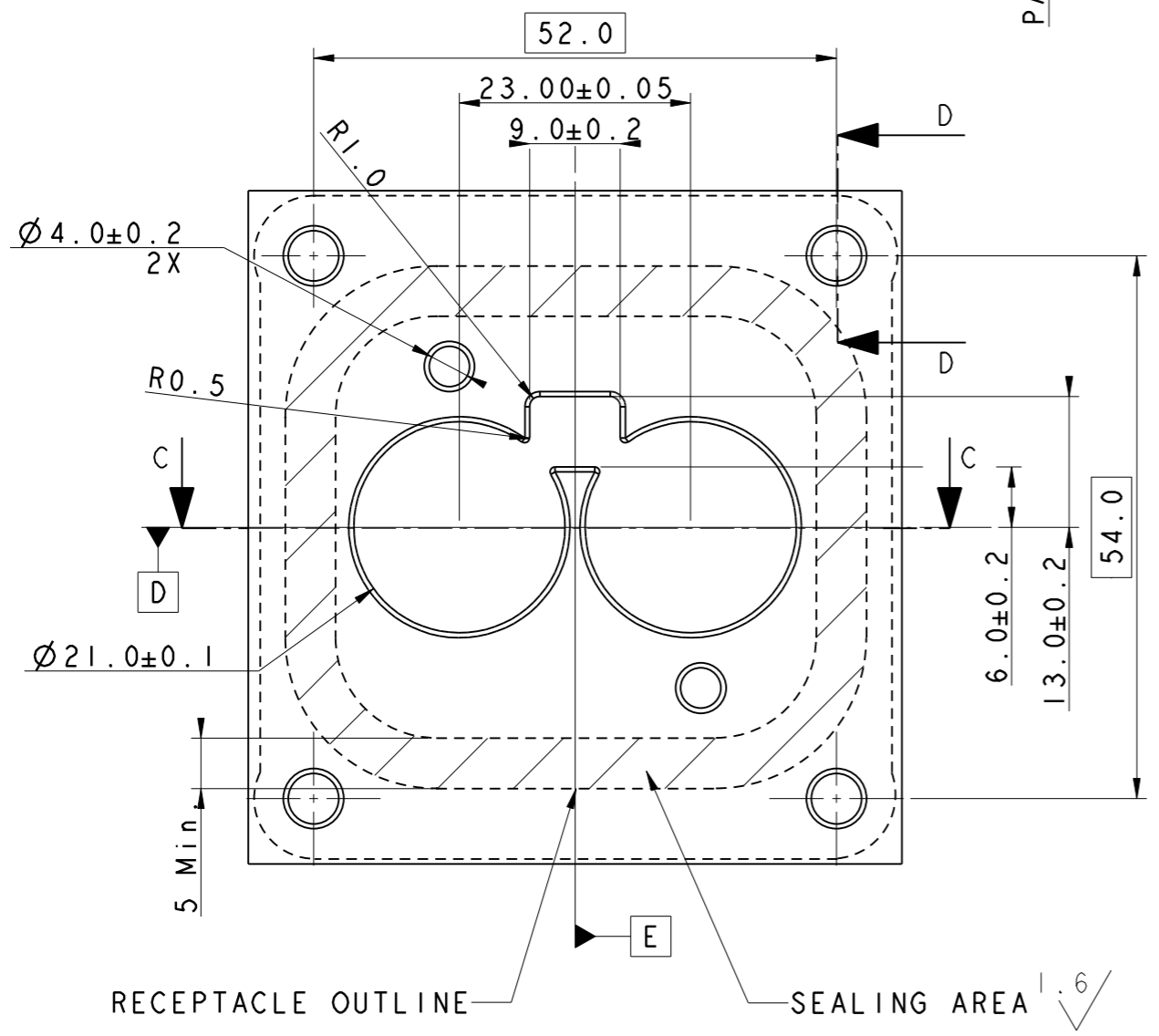
PANEL DRILLING



SECTION C-C



SECTION D-D

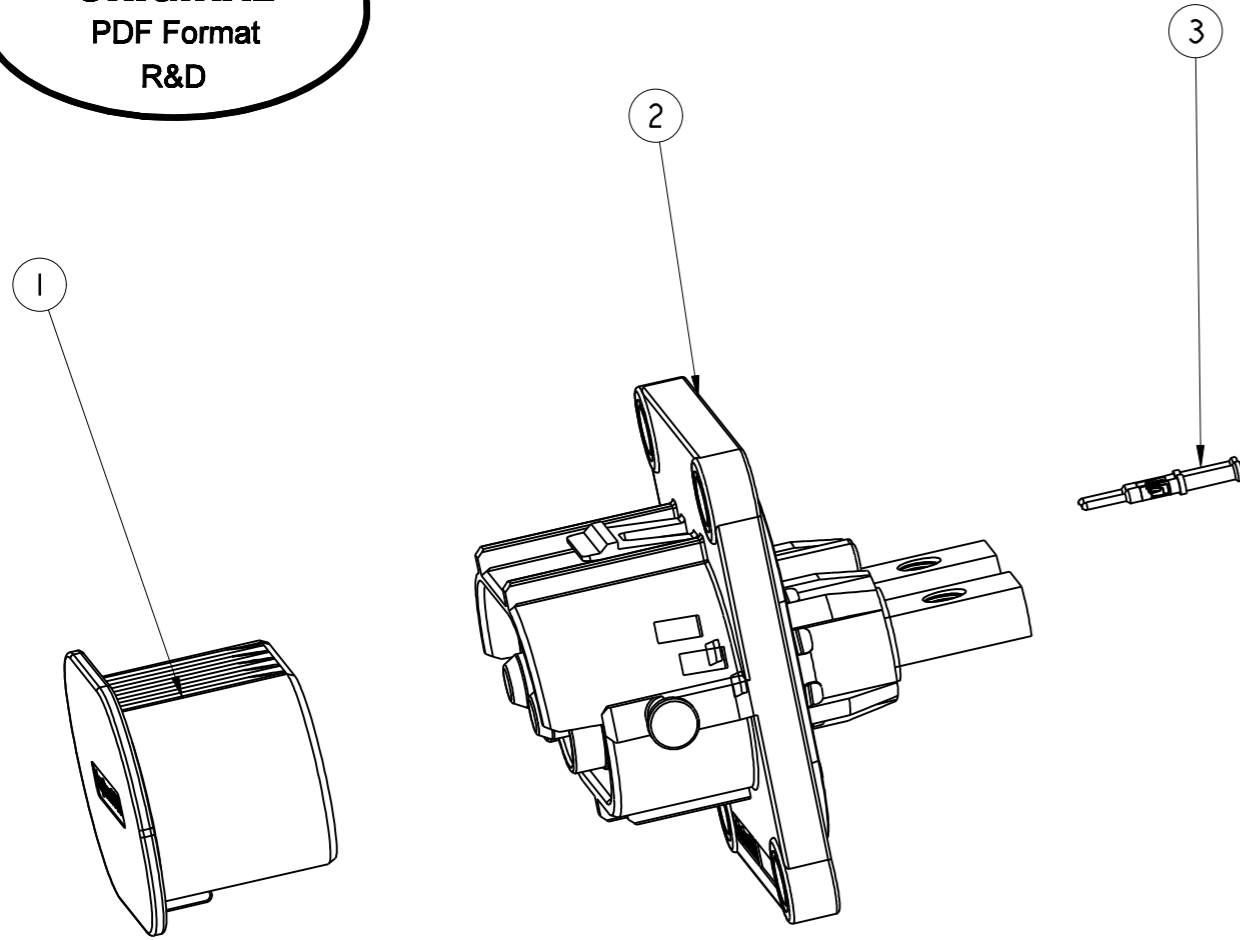


C-HVSL800022XXXX

C-HVSL800022XXXX

SIZE A3	DWG NO. C-HVSL800022XXXX	REV 6
CODE: 58982	SCALE: 1:1	SHEET 2 OF 3

Amphenol PCDSZ
ORIGINAL
PDF Format
R&D



NOTES

- 1. FLANGE MOUNTING HOLE M6 LOCKING TORQUE IS 4 N.m
- 2. CURRENT TERMINAL M6 SET SCREW LOCKING TORQUE IS 7.1N.m

TECHNICAL DATA

CURRENT RATE (50MM ² SHIELD CABLE)	180A @ AMBIENT 70°C 200A @ AMBIENT 65°C	+
UL RATING VOLTAGE (OVERVOLTAGE CATEGORY II POLLUTION DEGREE 2)	1500V DC	+
OPERATING TEMPERATURE	-40~125°C	
DIELECTRIC WITH STANDING VOLTAGE	3000V AC	+
INSULATION RESISTANCE	2000MΩ MIN. 25°C, NO CABLE	+
DURABILITY	50 CYCLES	⊙
SHIELDING	YES	⊙
WATERPROOF(MATED CONDITION)	IP 67, IP6K9K	+
PROTECTION LEVEL	IP2XB	+
AMBIENT TEMPERATURE	-40~70°C	

3	C420003643	HVIL PIN	2	OPTIONAL
2	HVSL800022	RECEPTACLE BODY(A,B,C)	1	NA
1	C422003730	DUST CAP	1	NA
ITEM	PART NO.	DESCRIPTION	Q'TY	REMARK

C-HVSL800022XXXX

C-HVSL800022XXXX

SIZE A3	DWG NO. C-HVSL800022XXXX	REV 6
CODE: 58982	SCALE: 1:1	SHEET 3 OF 3