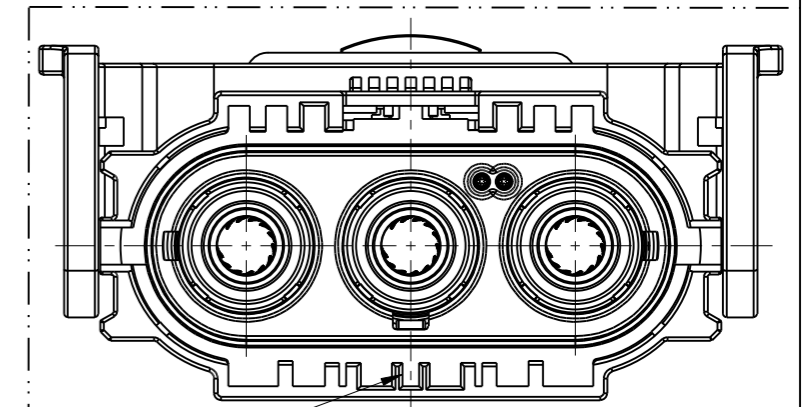
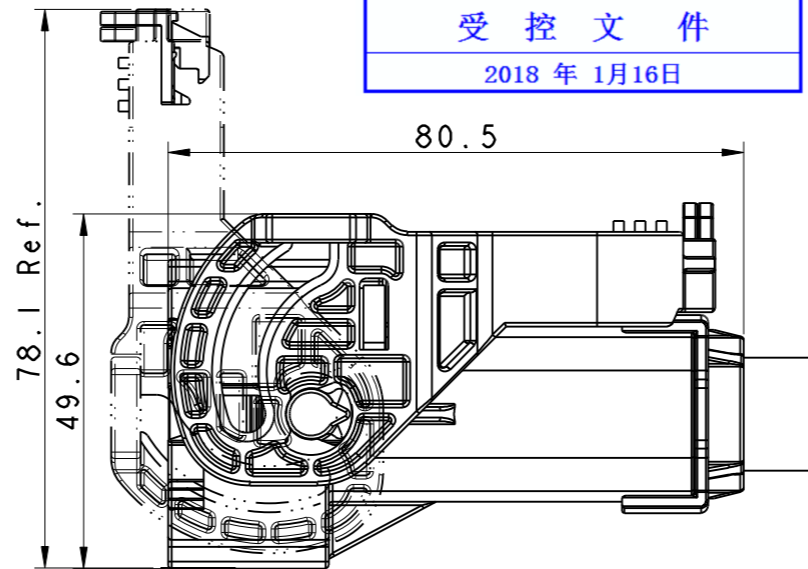
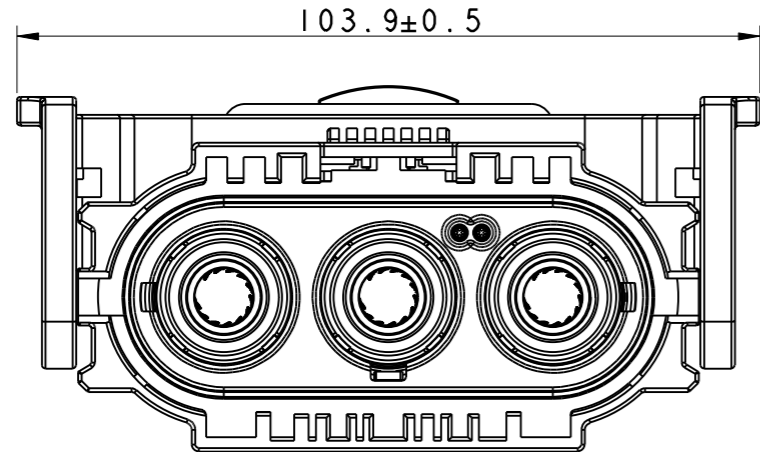


Amphenol PCDSZ
ORIGINAL
PDF Format
R&D

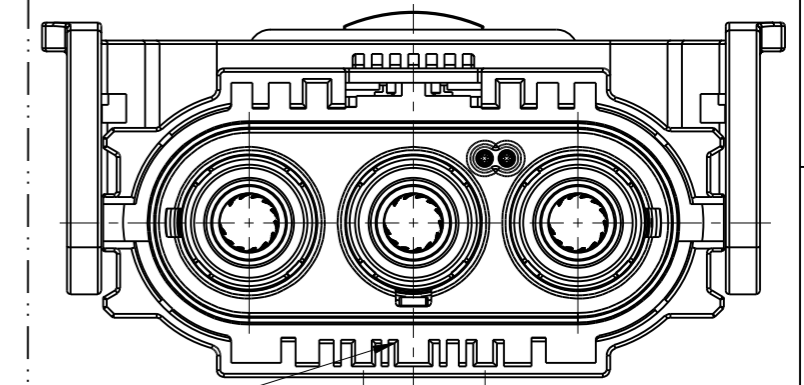
安费诺精密连接器(深圳)有限公司
Amphenol PCD Shenzhen

受控文件

2018年1月16日



KEY A
HVSL800063AXXX
CODING A



KEY B
HVSL800063BXXX
CODING B

CODING DESCRIPTION LIST

NOTES:

- MATERIAL & FINISH:
PLASTIC BODY: THERMOPLASTICS UL 94V-0 ORANGE COLOR
POWER CONTACT: COPPER ALLOY SILVER PLATED

2. TECHNICAL DATA TABLE

| | | |
|--|-------------------------------|---------|
| CURRENT RATE 50mm ² CABLE | 180A @ AMBIENT 70° C | + |
| CURRENT RATE 35mm ² CABLE | 150A @ AMBIENT 70° C | + |
| CURRENT RATE 25mm ² CABLE | 120A @ AMBIENT 70° C | + |
| UL RATING VOLTAGE (OVERVOLTAGE CATEGORY II POLLUTION DEGREE 2) | 1000V DC | + |
| OPERATING TEMPERATURE | -40~125° C | |
| DIELECTRIC WITH STANDING VOLTAGE | 3000V AC | + |
| INSULATION RESISTANCE | 2000MΩ MIN.25° C, NO CABLE | + |
| DURABILITY | 50 CYCLES | ⊙ |
| SHIELDING | YES | ⊙ |
| WATERPROOF(MATED CONDITION) | IP67 IP6K9K | + |
| PROTECTION LEVEL | IP2XB | + |
| AMBIENT TEMPERATURE | -40~70° C | |
| TECHNICAL DESCRIPTION | TECHNICAL DATA | FEATURE |

3. PART NUMBER DESCRIPTION:

HVSL 800 06 3 X X XX

- A: CODING A 0: WITHOUT HVIL 50: CROSS-SECTION 50mm²
 B: CODING B 1: WITH HVIL WIRE OD=16.5 ± 0.4mm
 35: CROSS-SECTION 35mm²
 WIRE OD=14.2 ± 0.4mm
 25: CROSS-SECTION 25mm²
 WIRE OD=11.9 ± 0.4mm

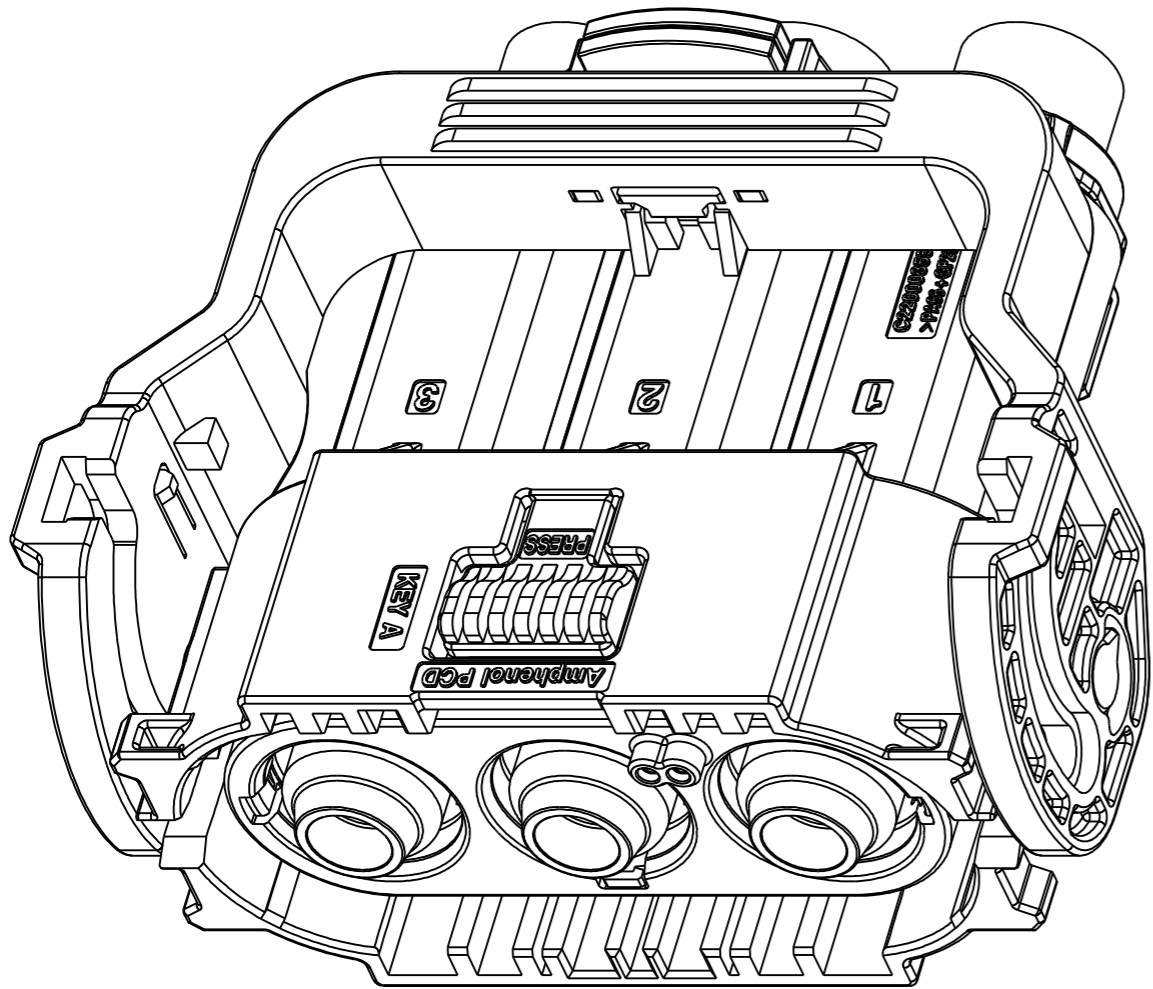
| | | | |
|--|---|----------------|--|
| DIMENSIONS ANSI Y14.5M UNITS: MM Pro/E FILE | TOLERANCES .X ±0.5 .XX ±0.05 ANGLES ±0.5° | PROJECTION | TITLE HVSL 800 06 3 X X XX PLUG ASSEMBLY |
| ORIGINAL NOT FOR CUSTOMER DISTRIBUTION | THIS DOCUMENT CONTAINS PROPRIETARY INFORMATION WHICH IS THE CONFIDENTIAL PROPERTY OF AMPHENOL PCD SHENZHEN | | SIZE A3 |
| | | CHKD APPD | DWG NO. C-HVSL800063XXXX |
| | | | REV 3 |
| | | | CODE: 58982 SCALE: 1:1 SHEET 1 OF 3 |

C-HVSL800063XXXX

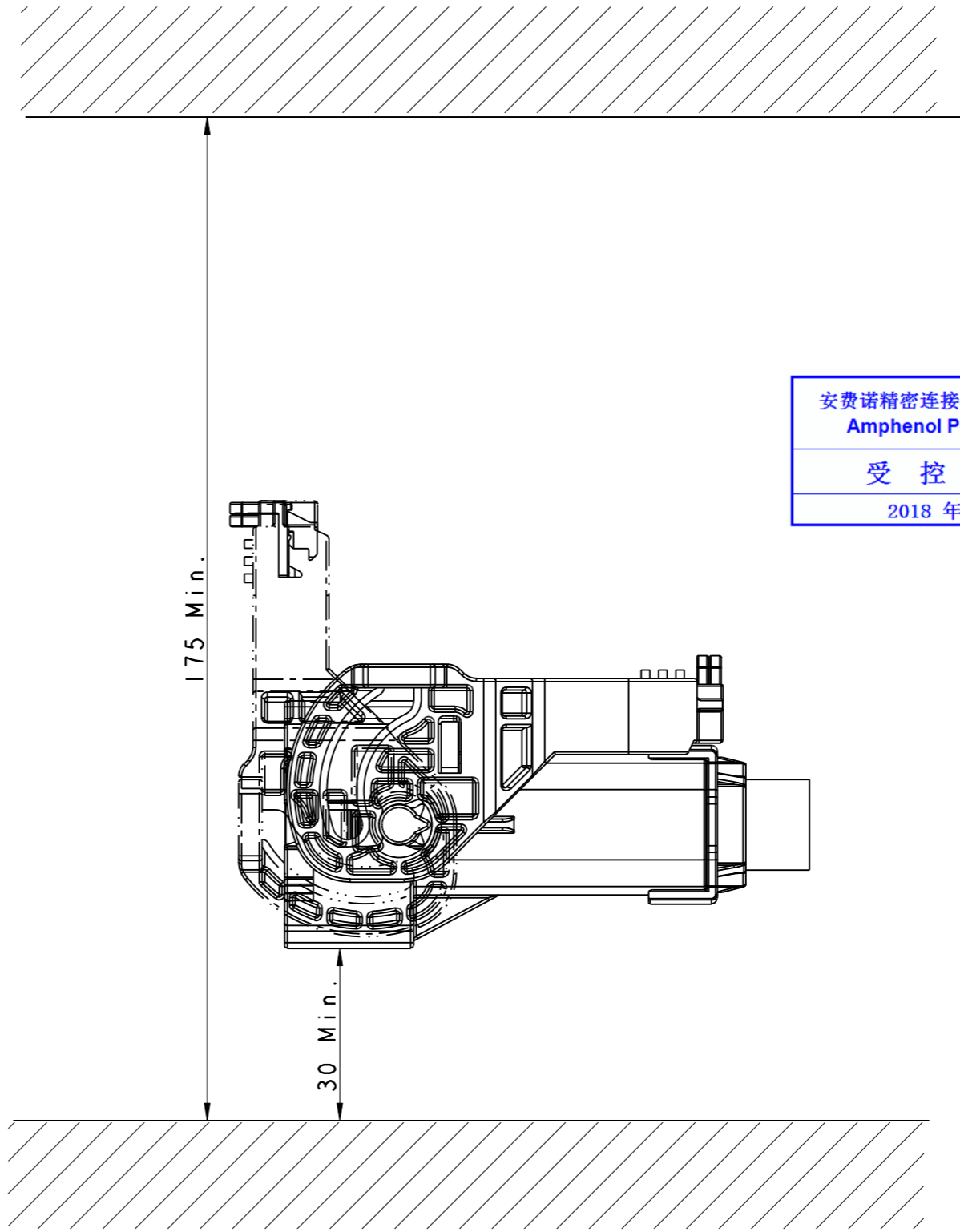
C-HVSL800063XXXX

Amphenol PCDSZ
ORIGINAL
PDF Format
R&D

4. ASSEMBLY SPACE



C-HVSL800063XXXX

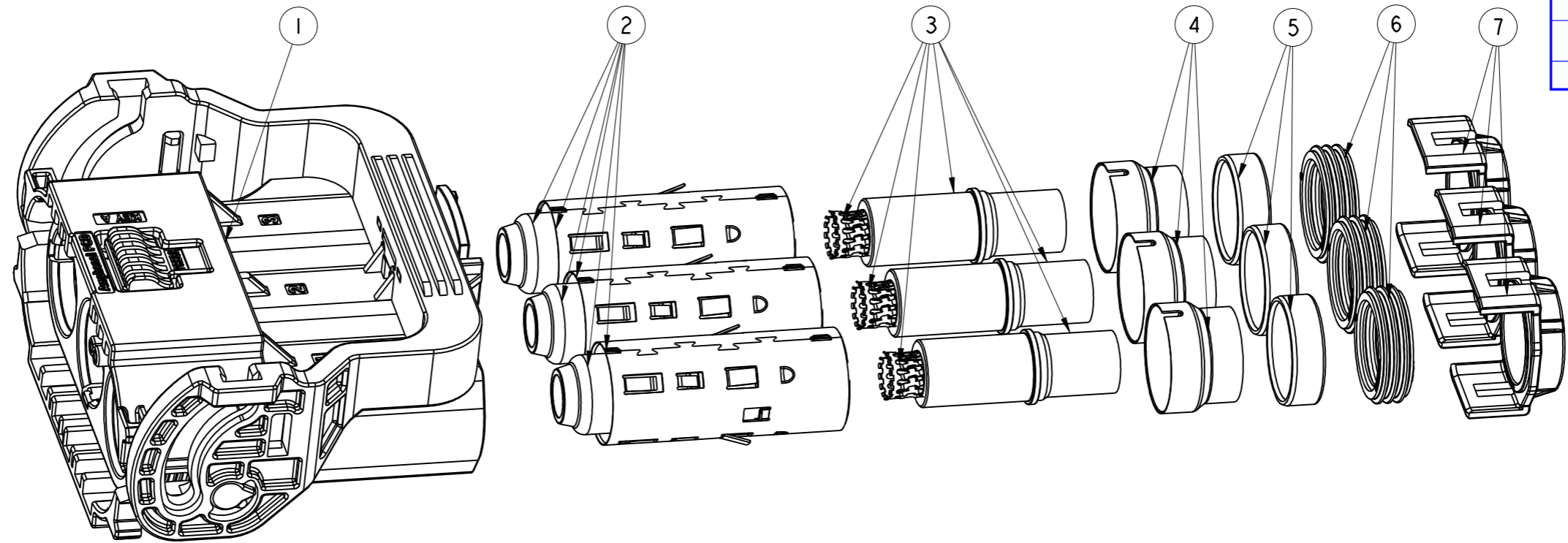


安费诺精密连接器(深圳)有限公司
Amphenol PCD Shenzhen
受控文件
2018年1月16日

C-HVSL800063XXXX

| | | |
|-------------|------------------|--------------|
| SIZE | DWG NO. | REV |
| A3 | C-HVSL800063XXXX | 3 |
| CODE: 58982 | SCALE: 1:1 | SHEET 2 OF 3 |

Amphenol PCDSZ
ORIGINAL
PDF Format
R&D



5. ASSEMBLY AND DETAIL BOM LIST SHOW
5.1. DETAIL BOM LIST

C-HVSL800063XXXX

| P/N | ITEM | COMPONENT P/N | DESCRIPTION | Q'TY |
|--------------------|------|-------------------|----------------------------------|------|
| HVSL 800 063 X 135 | 7 | C4220036832 | END GAP 35mm2 | 3 |
| | 6 | C4270036452 | CABLE SEAL 35mm2 | 3 |
| | 5 | C4220058232 | BAFFLE | 3 |
| | 4 | C4310036372 | OUTER FERRULE 35mm2 | 3 |
| | 3 | C4200036392 | SOCKET CONTACT BODY 35mm2 | 3 |
| | | C431022005 | 8mm SPRING | 3 |
| | 2 | C422003684 | PLUG BACK SOCKET INSERT | 3 |
| | | C422003682 | PLUG FRONT SOCKET INSERT | 3 |
| | | C431003634 | PLUG SHIELDING | 3 |
| | 1 | MAIN BODY & HVIL | 180° PLUG BODY 3P & HVIL | 1 |
| HVSL 800 063 X 150 | 7 | C4220036831 | END GAP 50mm2 | 3 |
| | 6 | C4270036451 | CABLE SEAL 50mm2 | 3 |
| | 5 | C4220058231 | BAFFLE | 3 |
| | 4 | C4310036371 | OUTER FERRULE 50mm2 | 3 |
| | 3 | C4200036391 | SOCKET CONTACT BODY 50mm2 | 3 |
| | | C431022005 | 8mm SPRING | 3 |
| | 2 | C422003684 | PLUG BACK SOCKET INSERT | 3 |
| | | C422003682 | PLUG FRONT SOCKET INSERT | 3 |
| | | C431003634 | PLUG SHIELDING | 3 |
| | 1 | MAIN BODY NO HVIL | 180° PLUG BODY 3P & WITHOUT HVIL | 1 |
| HVSL 800 063 X 150 | 7 | C4220036831 | END GAP 50mm2 | 3 |
| | 6 | C4270036451 | CABLE SEAL 50mm2 | 3 |
| | 5 | C4220058231 | BAFFLE | 3 |
| | 4 | C4310036371 | OUTER FERRULE 50mm2 | 3 |
| | 3 | C4200036391 | SOCKET CONTACT BODY 50mm2 | 3 |
| | | C431022005 | 8mm SPRING | 3 |
| | 2 | C422003684 | PLUG BACK SOCKET INSERT | 3 |
| | | C422003682 | PLUG FRONT SOCKET INSERT | 3 |
| | | C431003634 | PLUG SHIELDING | 3 |
| | 1 | MAIN BODY & HVIL | 180° PLUG BODY 3P & HVIL | 1 |

C-HVSL800063XXXX

| | | | | |
|--------------------|------|-------------------|----------------------------------|------|
| HVSL 800 063 X 025 | 7 | C4220036833 | END GAP 25mm2 | 3 |
| | 6 | C4270036453 | CABLE SEAL 25mm2 | 3 |
| | 5 | C4220058233 | BAFFLE | 3 |
| | 4 | C4310036373 | OUTER FERRULE 25mm2 | 3 |
| | 3 | C4200036393 | SOCKET CONTACT BODY 25mm2 | 3 |
| | | C431022005 | 8mm SPRING | 3 |
| | 2 | C422003684 | PLUG BACK SOCKET INSERT | 3 |
| | | C422003682 | PLUG FRONT SOCKET INSERT | 3 |
| | | C431003634 | PLUG SHIELDING | 3 |
| | 1 | MAIN BODY NO HVIL | 180° PLUG BODY 3P & WITHOUT HVIL | 1 |
| HVSL 800 063 X 125 | 7 | C4220036833 | END GAP 25mm2 | 3 |
| | 6 | C4270036453 | CABLE SEAL 25mm2 | 3 |
| | 5 | C4220058233 | BAFFLE | 3 |
| | 4 | C4310036373 | OUTER FERRULE 25mm2 | 3 |
| | 3 | C4200036393 | SOCKET CONTACT BODY 25mm2 | 3 |
| | | C431022005 | 8mm SPRING | 3 |
| | 2 | C422003684 | PLUG BACK SOCKET INSERT | 3 |
| | | C422003682 | PLUG FRONT SOCKET INSERT | 3 |
| | | C431003634 | PLUG SHIELDING | 3 |
| | 1 | MAIN BODY & HVIL | 180° PLUG BODY 3P & HVIL | 1 |
| HVSL 800 063 X 035 | 7 | C4220036832 | END GAP 35mm2 | 3 |
| | 6 | C4270036452 | CABLE SEAL 35mm2 | 3 |
| | 5 | C4220058232 | BAFFLE | 3 |
| | 4 | C4310036372 | OUTER FERRULE 35mm2 | 3 |
| | 3 | C4200036392 | SOCKET CONTACT BODY 35mm2 | 3 |
| | | C431022005 | 8mm SPRING | 3 |
| | 2 | C422003684 | PLUG BACK SOCKET INSERT | 3 |
| | | C422003682 | PLUG FRONT SOCKET INSERT | 3 |
| | | C431003634 | PLUG SHIELDING | 3 |
| | 1 | MAIN BODY NO HVIL | 180° PLUG BODY 3P & WITHOUT HVIL | 1 |
| P/N | ITEM | COMPONENT P/N | DESCRIPTION | Q'TY |

| | | |
|-------------|------------------|--------------|
| SIZE | DWG NO. | REV |
| A3 | C-HVSL800063XXXX | 3 |
| CODE: 58982 | SCALE: 1:1 | SHEET 3 OF 3 |