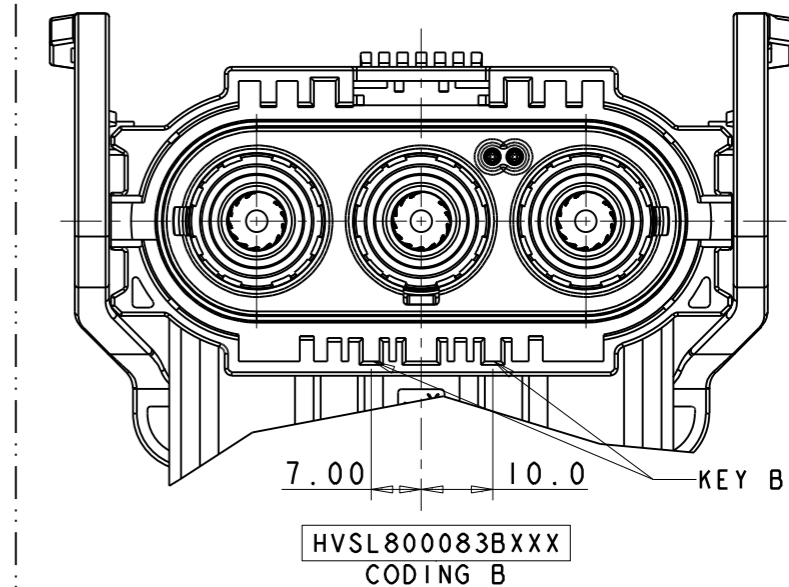
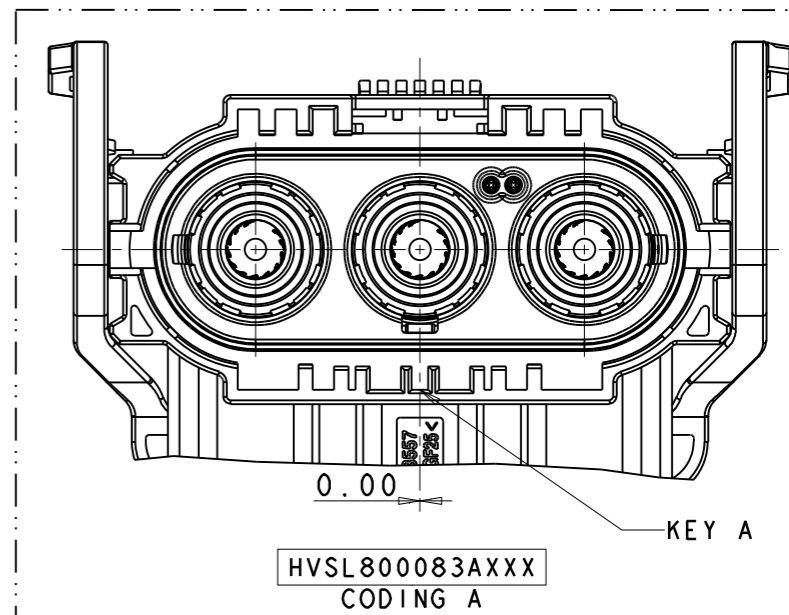
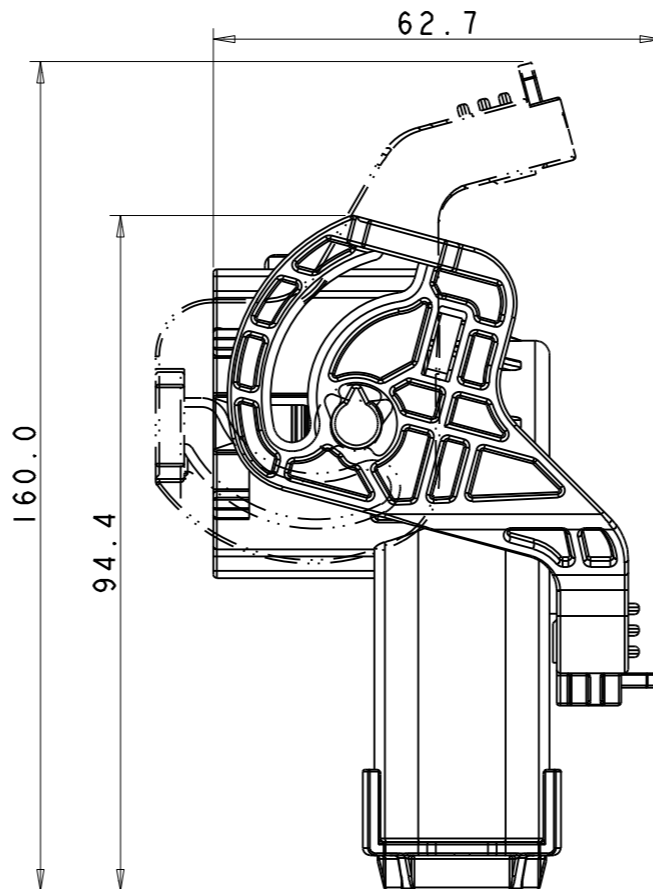
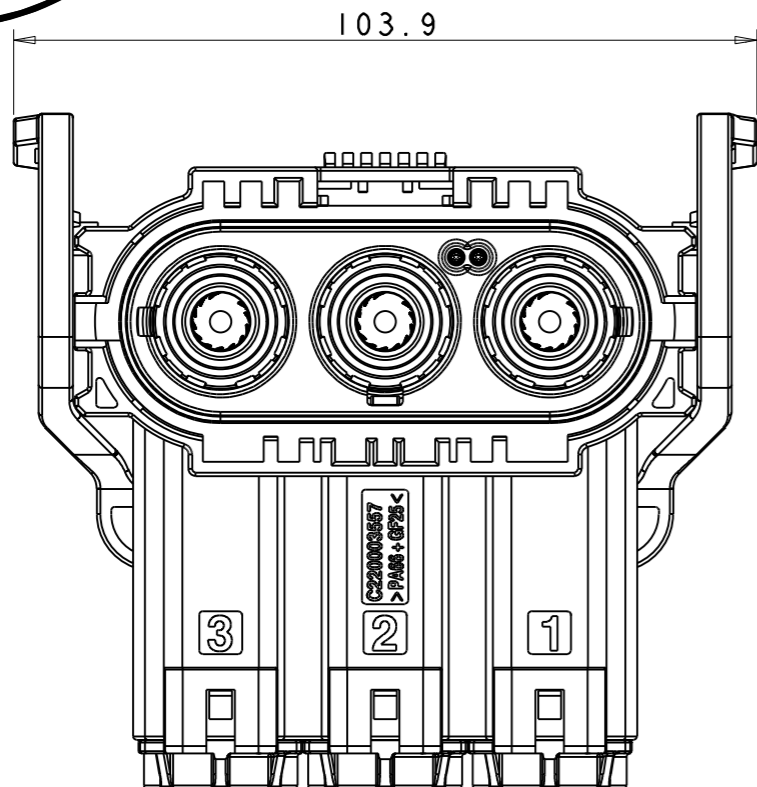


Amphenol PCDSZ
ORIGINAL
PDF Format
R&D



NOTES:

1. MATERIAL & FINISH:
PLASTIC BODY: THERMOPLASTICS UL 94V-0 ORANGE COLOR
POWER CONTACT: COPPER ALLOY SILVER PLATED

3. PART NUMBER DESCRIPTION:

HVSL 800 08 3 X X XX

A: CODING A 0: WITHOUT HVIL 50: CROSS-SECTION 50mm²
B: CODING B 1: WITH HVIL WIRE OD=16.5 ± 0.4mm
35: CROSS-SECTION 35mm²
WIRE OD=14.2 ± 0.4mm
25: CROSS-SECTION 25mm²
WIRE OD=11.9 ± 0.4mm

2. TECHNICAL DATA TABLE

CURRENT RATE 50mm ² CABLE	180A @ AMBIENT 70°C	+
CURRENT RATE 35mm ² CABLE	150A @ AMBIENT 70°C	+
CURRENT RATE 25mm ² CABLE	120A @ AMBIENT 70°C	+
UL RATING VOLTAGE (OVERVOLTAGE CATEGORY II POLLUTION DEGREE 2)	1000V DC	+
OPERATING TEMPERATURE	-40~125°C	
DIELECTRIC WITH STANDING VOLTAGE	3000V AC	+
INSULATION RESISTANCE	2000MΩ MIN. 25°C, NO CABLE	+
DURABILITY	50 CYCLES	⊙
SHIELDING	YES	⊙
WATERPROOF(MATED CONDITION)	IP67 IP6K9K	+
PROTECTION LEVEL	IP2XB	+
AMBIENT TEMPERATURE	-40~70°C	
TECHNICAL DESCRIPTION	TECHNICAL DATA	FEATURE

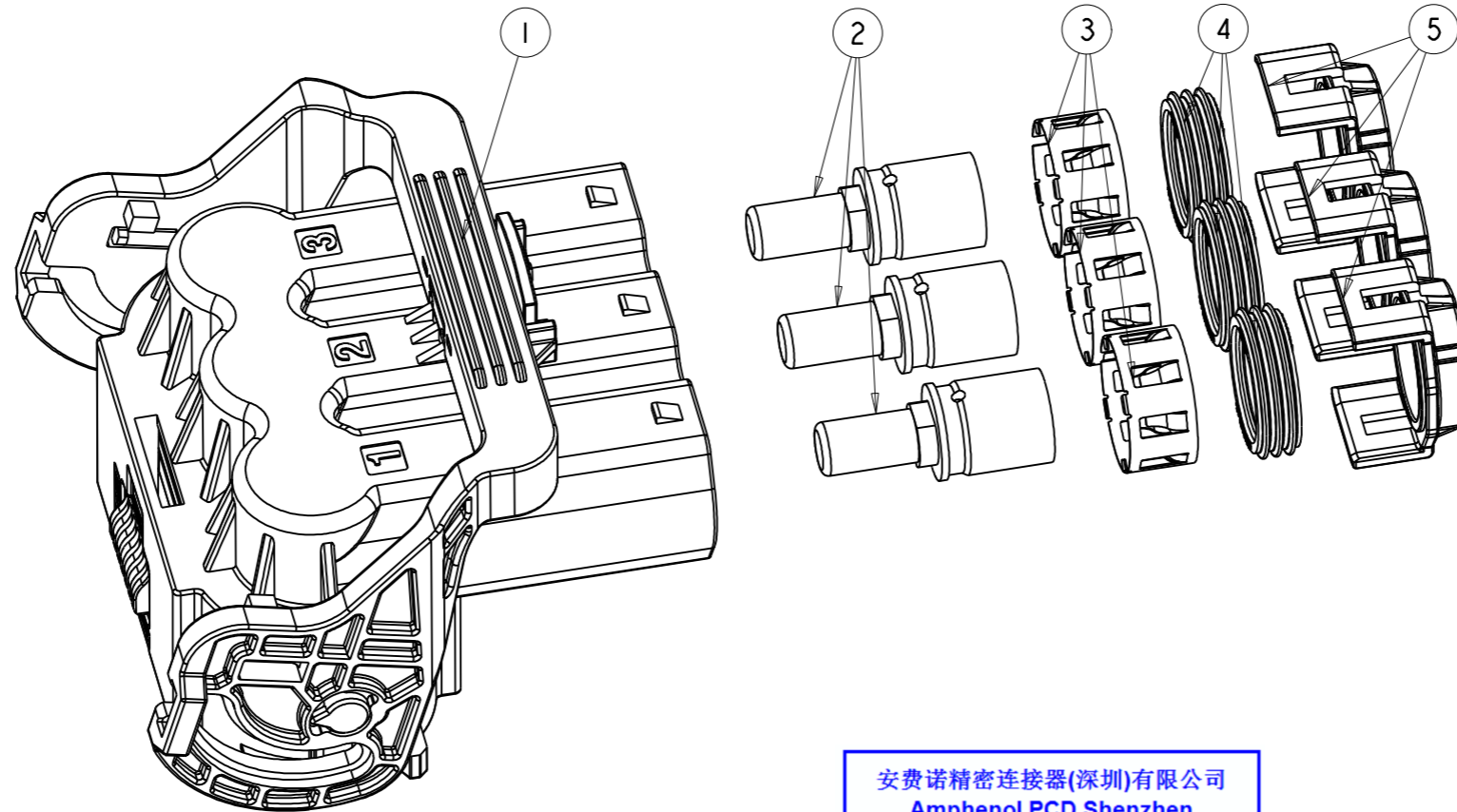
CODING DESCRIPTION LIST

DIMENSIONS ANSI Y14.5M UNITS: MM Pro/E FILE	TOLERANCES .X ±0.5 .XX ±0.05 ANGLES ±0.5°	PROJECTION 	TITLE HVSL 800 08 3 X X XX RA PLUG ASSEMBLY		
			ORIGINAL NOT FOR CUSTOMER DISTRIBUTION	THIS DOCUMENT CONTAINS PROPRIETARY INFORMATION WHICH IS THE CONFIDENTIAL PROPERTY OF AMPHENOL PCD SHENZHEN	ENGR CHKD APPD
			CODE: 58982	SCALE: 1:1	SHEET 1 OF 2

C-HVSL800083XXXX

C-HVSL800083XXXX

Amphenol PCDSZ
ORIGINAL
PDF Format
R&D



安费诺精密连接器(深圳)有限公司
Amphenol PCD Shenzhen

受控文件

2018年1月16日

4. ASSEMBLY AND DETAIL BOM LIST SHOW
4.1. DETAIL BOM LIST

HVSL 800 083 X 035	5	C4220036832	END GAP 35mm2	3
	4	C4270036452	CABLE SEAL 35mm ²	3
	3	C431003639	CONTACT SPRING FOR RA	3
	2	C42000365421	SOCKET CONTACT BODY 35mm ²	3
	1	MAIN BODY NO HVIL	90° PLUG BODY 3P & WITHOUT HVIL	1

HVSL 800 083 X 135	5	C4220036832	END GAP 35mm2	3
	4	C4270036452	CABLE SEAL 35mm ²	3
	3	C431003639	CONTACT SPRING FOR RA	3
	2	C42000365421	SOCKET CONTACT BODY 35mm ²	3
	1	MAIN BODY & HVIL	90° PLUG BODY 3P & HVIL	1

HVSL 800 083 X 050	5	C4220036831	END GAP 50mm2	3
	4	C4270036451	CABLE SEAL 50mm ²	3
	3	C431003639	CONTACT SPRING FOR RA	3
	2	C42000365411	SOCKET CONTACT BODY 50mm ²	3
	1	MAIN BODY NO HVIL	90° PLUG BODY 3P & WITHOUT HVIL	1

HVSL 800 083 X 150	5	C4220036831	END GAP 50mm2	3
	4	C4270036451	CABLE SEAL 50mm ²	3
	3	C431003639	CONTACT SPRING FOR RA	3
	2	C42000365411	SOCKET CONTACT BODY 50mm ²	3
	1	MAIN BODY & HVIL	90° PLUG BODY 3P & HVIL	1

P/N	ITEM	COMPONENT P/N	DESCRIPTION	Q'TY
-----	------	---------------	-------------	------

HVSL 800 083 X 025	5	C4220036833	END GAP 25mm2	3
	4	C4270036453	CABLE SEAL 25mm ²	3
	3	C431003639	CONTACT SPRING FOR RA	3
	2	C42000365431	SOCKET CONTACT BODY 25mm ²	3
	1	MAIN BODY NO HVIL	90° PLUG BODY 3P & WITHOUT HVIL	1

HVSL 800 083 X 125	5	C4220036833	END GAP 25mm2	3
	4	C4270036453	CABLE SEAL 25mm ²	3
	3	C431003639	CONTACT SPRING FOR RA	3
	2	C42000365431	SOCKET CONTACT BODY 25mm ²	3
	1	MAIN BODY & HVIL	90° PLUG BODY 3P & HVIL	1

P/N	ITEM	COMPONENT P/N	DESCRIPTION	Q'TY
-----	------	---------------	-------------	------

SIZE	DWG NO.	REV
A3	C-HVSL800083XXXX	2
CODE: 58982	SCALE: 1:1	SHEET 2 OF 2

C-HVSL800083XXXX

C-HVSL800083XXXX