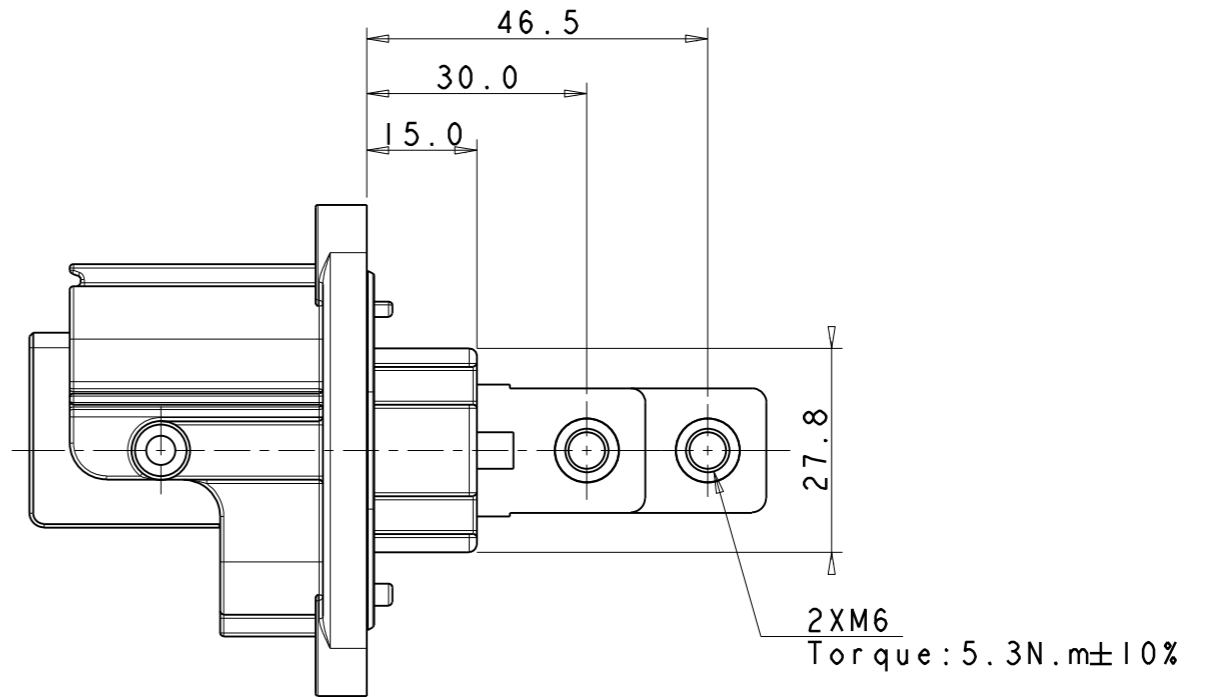
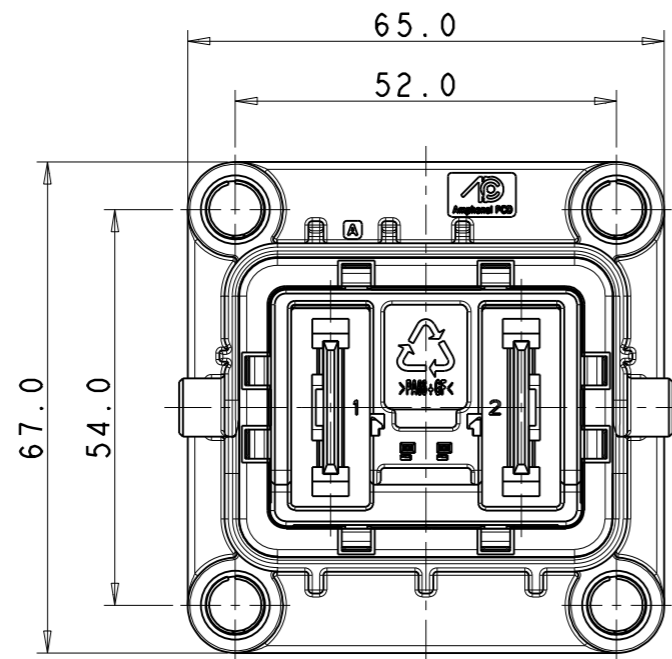
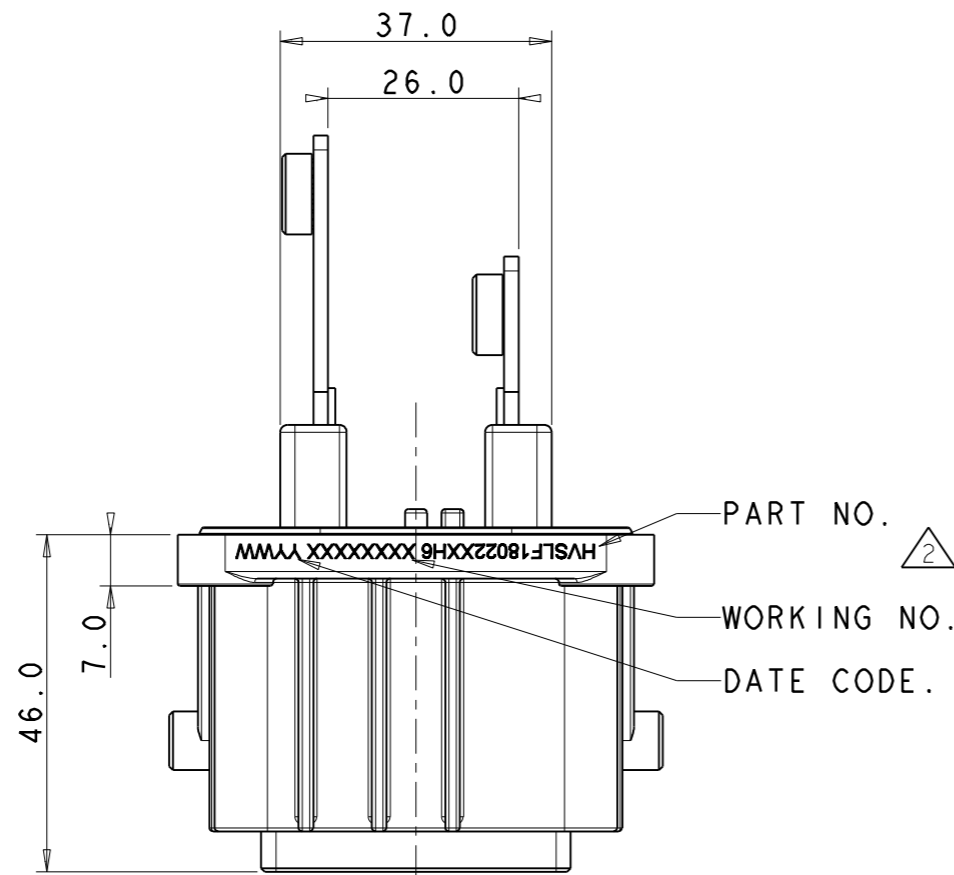


Amphenol PCDSZ  
ORIGINAL  
PDF Format  
R&D

REV	ECN	DESCRIPTION	DATE	MODIFIED
1		PRE- RELEASE	Oct-13-22	
2	R6833N	ADD 25MM^2 WIRE SIZE AND PRINT	May-22-23	

安费诺精密连接器(深圳)有限公司  
Amphenol PCD Shenzhen  
受控文件  
2023年8月4日

TECHNICAL DATA		
CURRENT RATE 70MM^2 WIRE	270A	+
CURRENT RATE 50MM^2 WIRE	220A	+
CURRENT RATE 35MM^2 WIRE	180A	+
CURRENT RATE 25MM^2 WIRE	130A	+
SIGNAL CURRENT	5A MAX	+
VOLTAGE RATE	POWER:1000V DC	+
OPERRATING TEMPERATURE	- 40 - 125°C	NA
DIELECTRIC WITHSTANDING VOLTAGE	POWER:3000V AC	+
	SIGNAL:660V AC	+
INSULATION RESISTANCE	200M $\Omega$	+
DURABILITY	50 CYCLES	⊙
SHIELDING	YES	NA
WATERPROOF	IP67 IP6K9K	+
CORROSION-PROFF GRADE(SALT FOG TEST)	96 HOURS	NA
AMBIENT TEMPERATURE	- 40 - 50°C	NA



HVSLF18022 X X H6

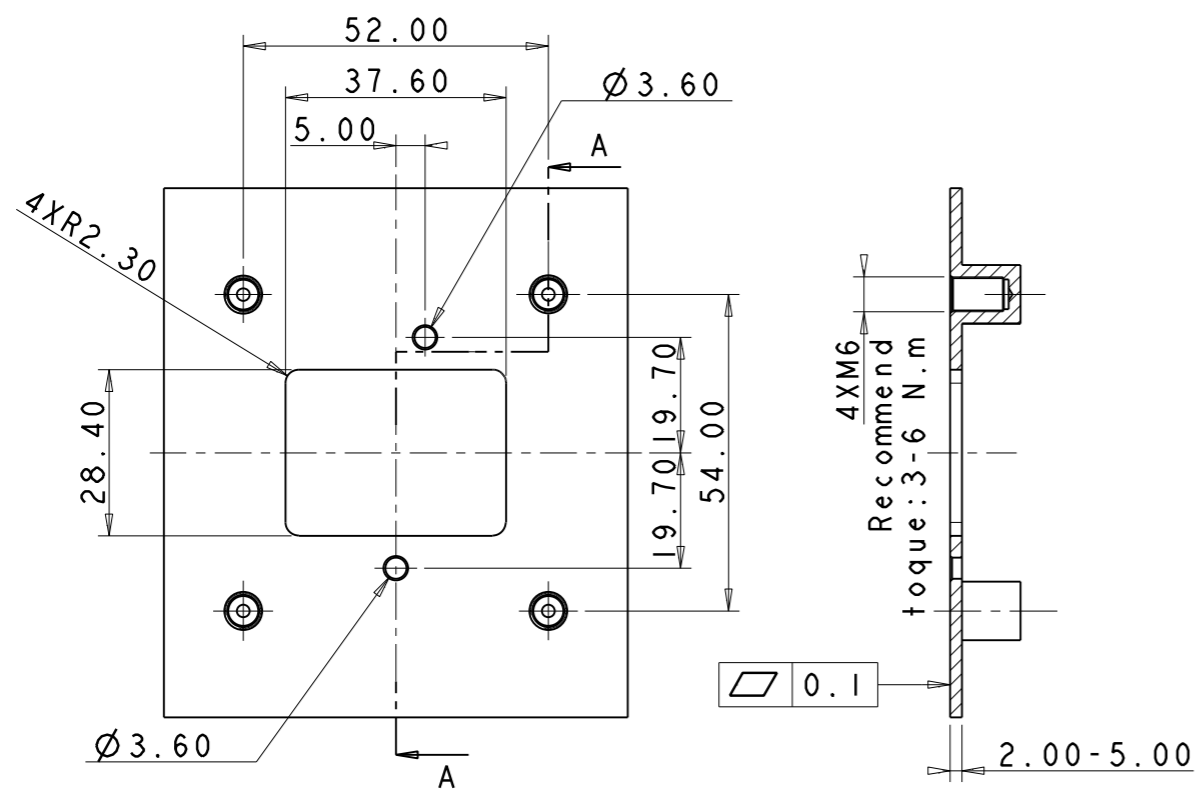
- 0: Without signal
- 1: With signal
- A: A key
- B: B key
- C: C key
- D: D key

DIMENSIONS	TOLERANCES	PROJECTION	TITLE		
ANSI Y14.5M UNITS: MM Pro/E FILE	.X $\pm$ 0.5 .XX $\pm$ 0.05 ANGLES $\pm$ 2°		<b>RECEPTACLE</b>		
ORIGINAL	THIS DOCUMENT CONTAINS PROPRIETARY INFORMATION WHICH IS THE CONFIDENTIAL PROPERTY OF Amphenol PCD Shenzhen Co. Ltd Amphenol PCD Shenzhen Co. Ltd RESERVES THE RIGHT TO CLARIFY THIS DRAWING				
			CHKD	APPD	
			SIZE	DWG NO.	REV
			A3	C-HVSLF18022XXH6	2
			SCALE: 1:1		SHEET 1 OF 5

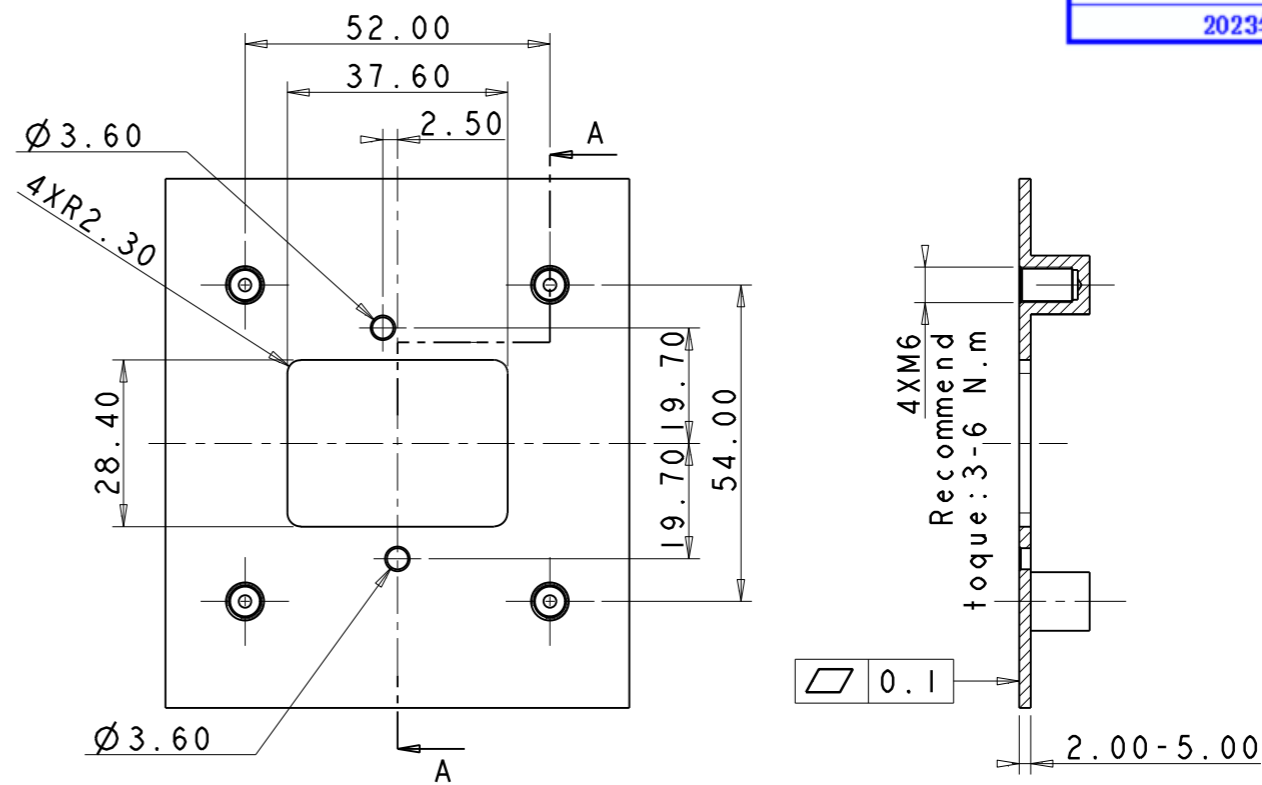
C-HVSLF18022XXH6

C-HVSLF18022XXH6

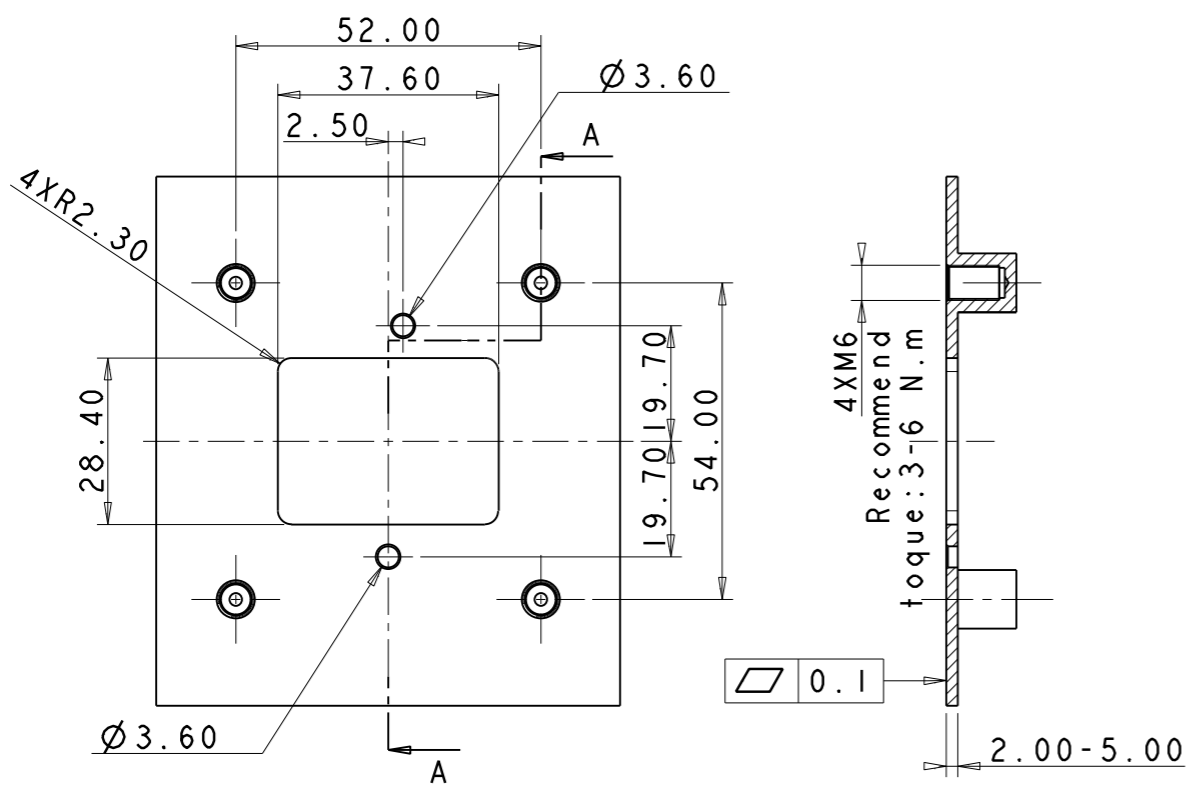
C-HVSLF18022XXH6



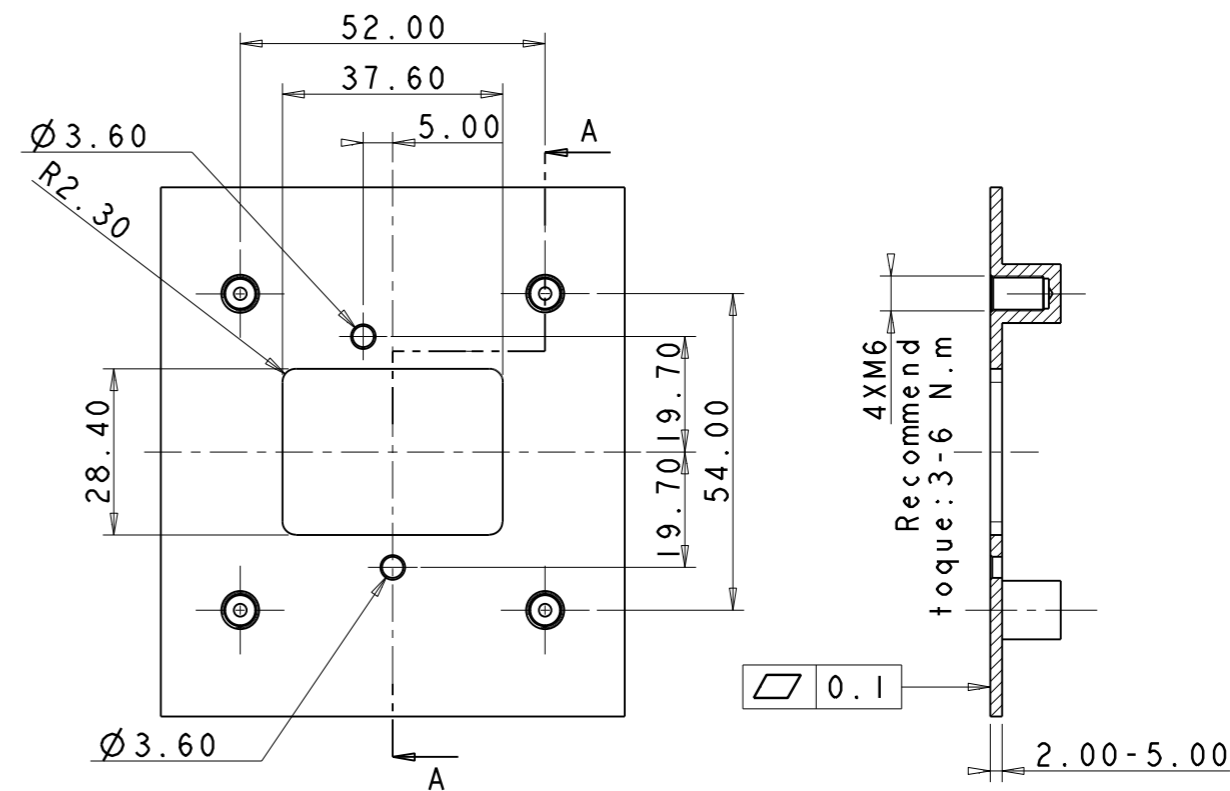
A Key mounting plate



C Key mounting plate



B Key mounting plate

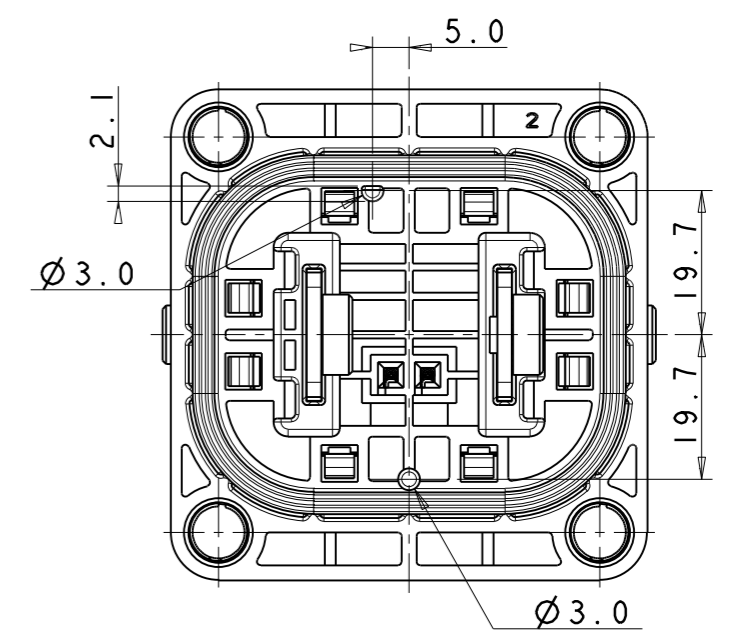
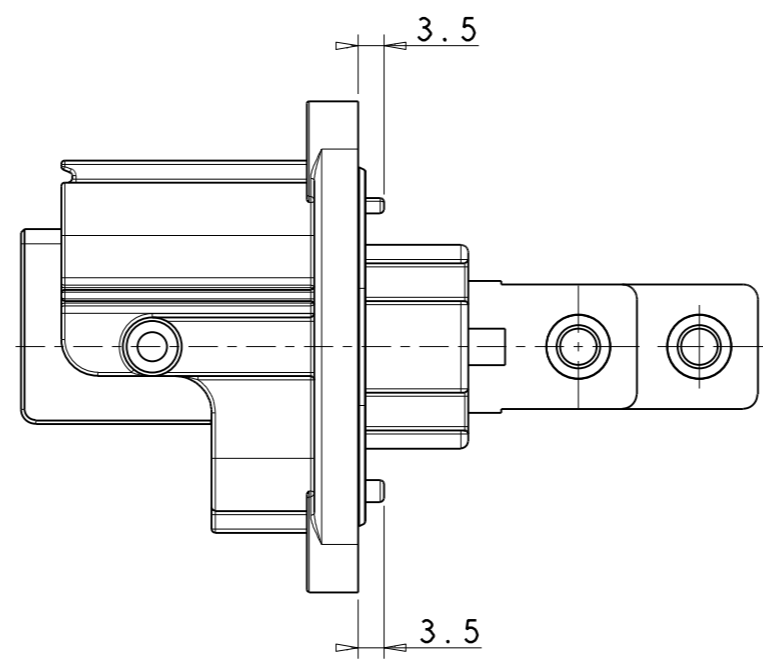
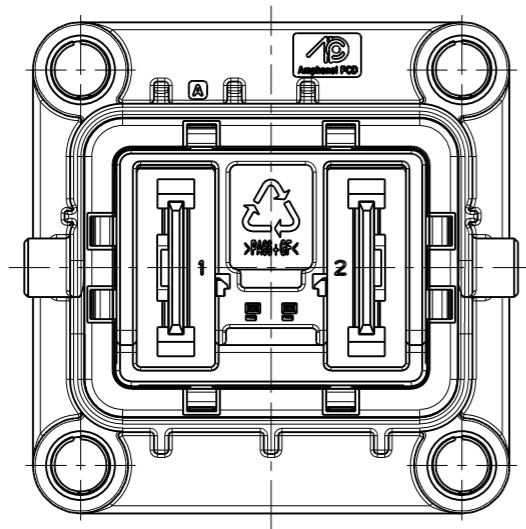


D Key mounting plate

C-HVSLF18022XXH6

C-HVSLF18022XXH6

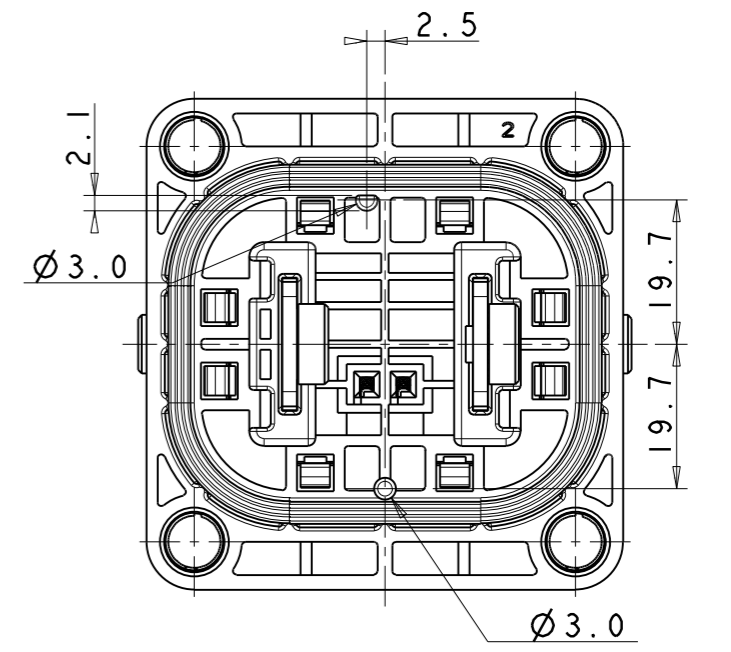
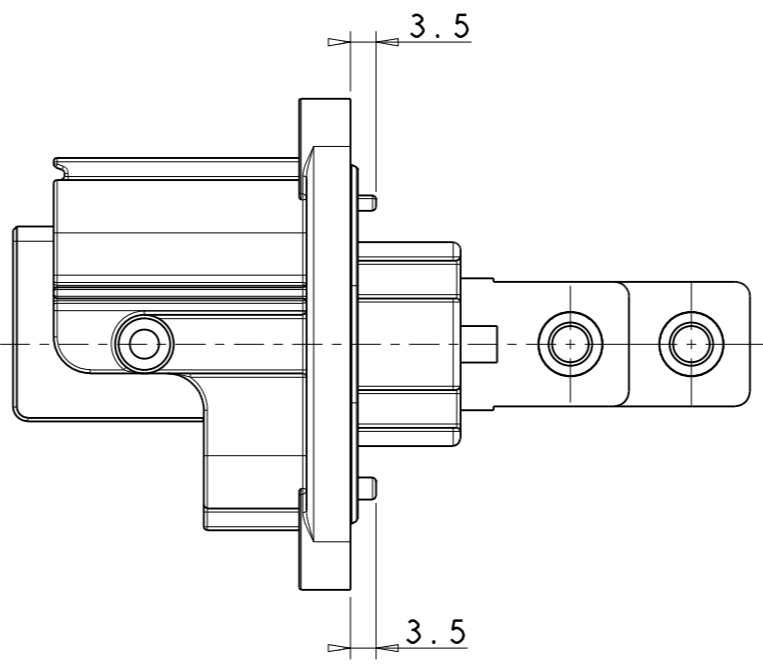
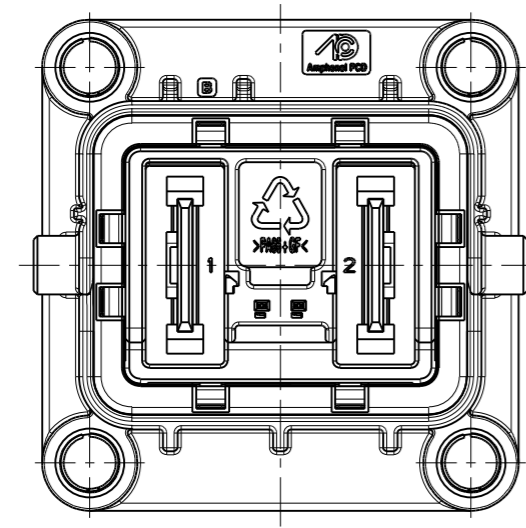
SIZE	DWG NO.	REV
A3	C-HVSLF18022XXH6	2
SCALE: 1:1		SHEET 2 OF 5



A key

C-HVSLF18022XXH6

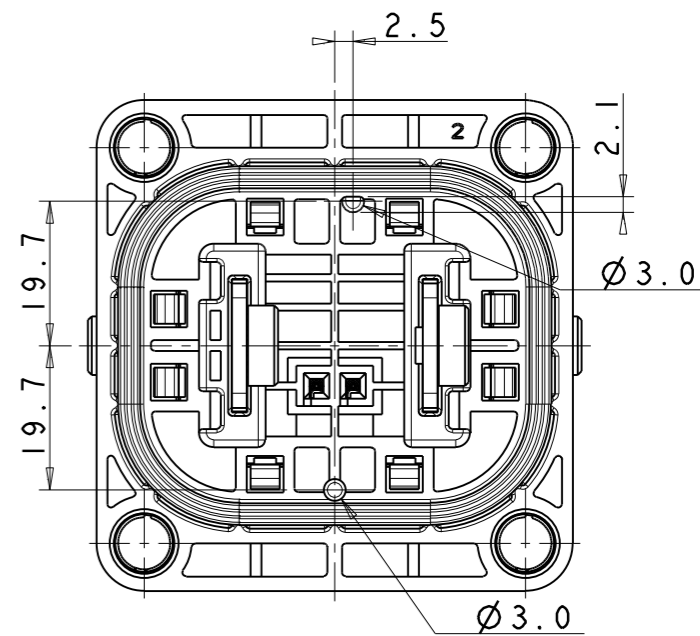
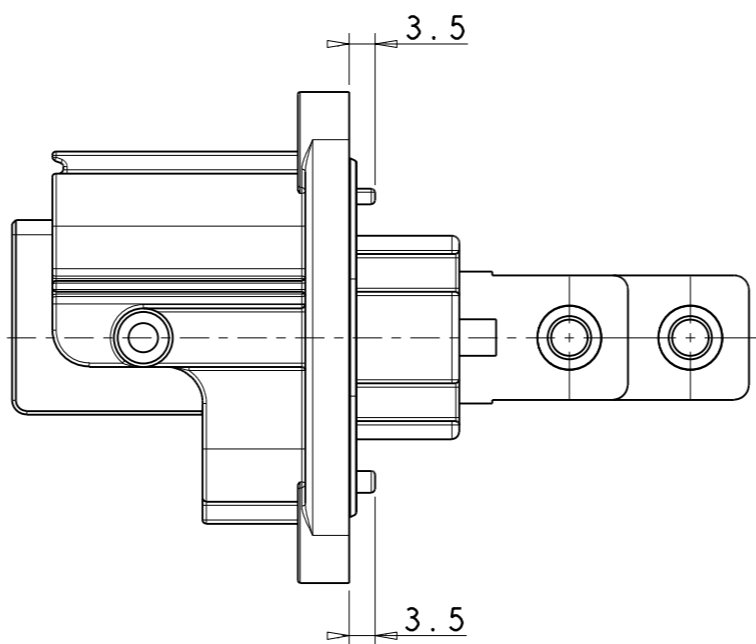
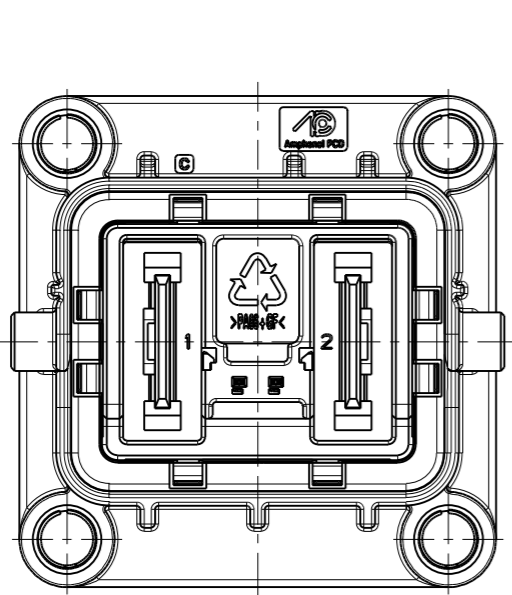
C-HVSLF18022XXH6



B key

SIZE	DWG NO.	REV
A3	C-HVSLF18022XXH6	2
SCALE: 1:1		SHEET 3 OF 5

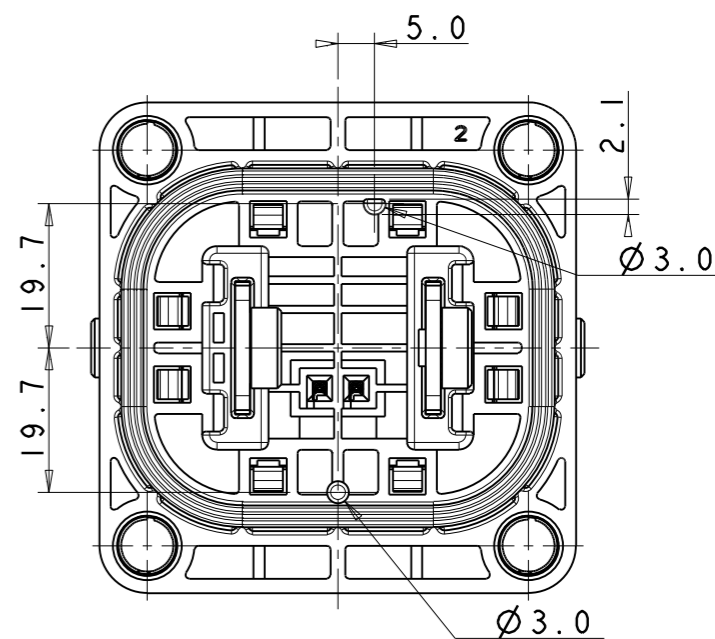
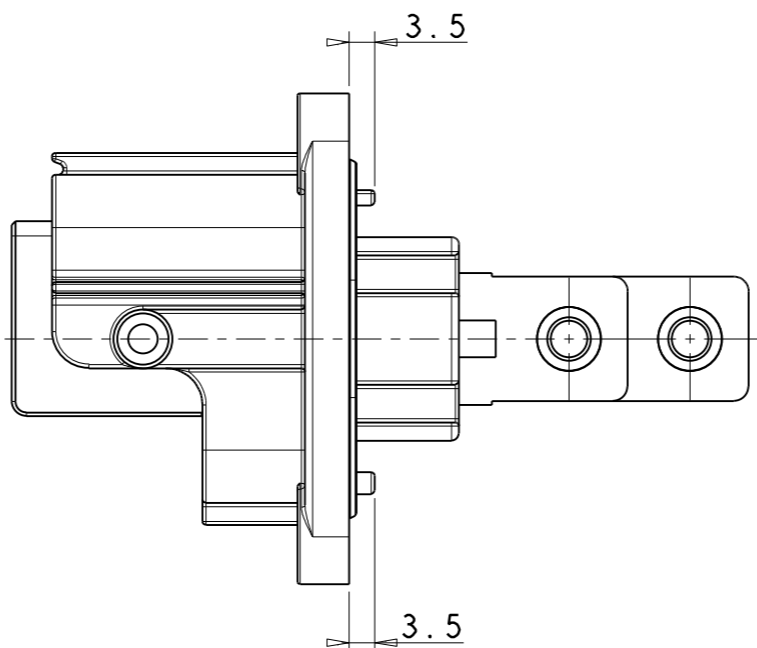
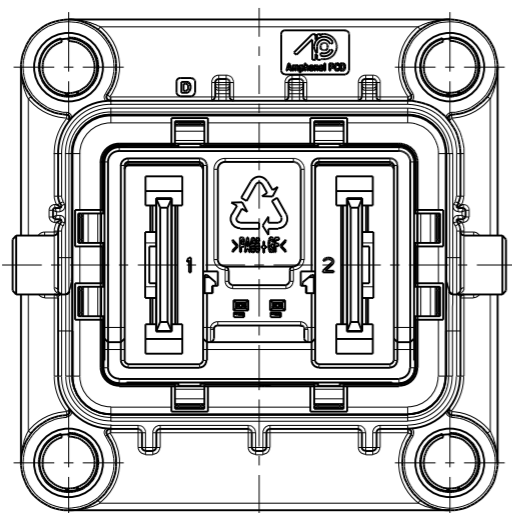
C-HVSLF18022XXH6



C key

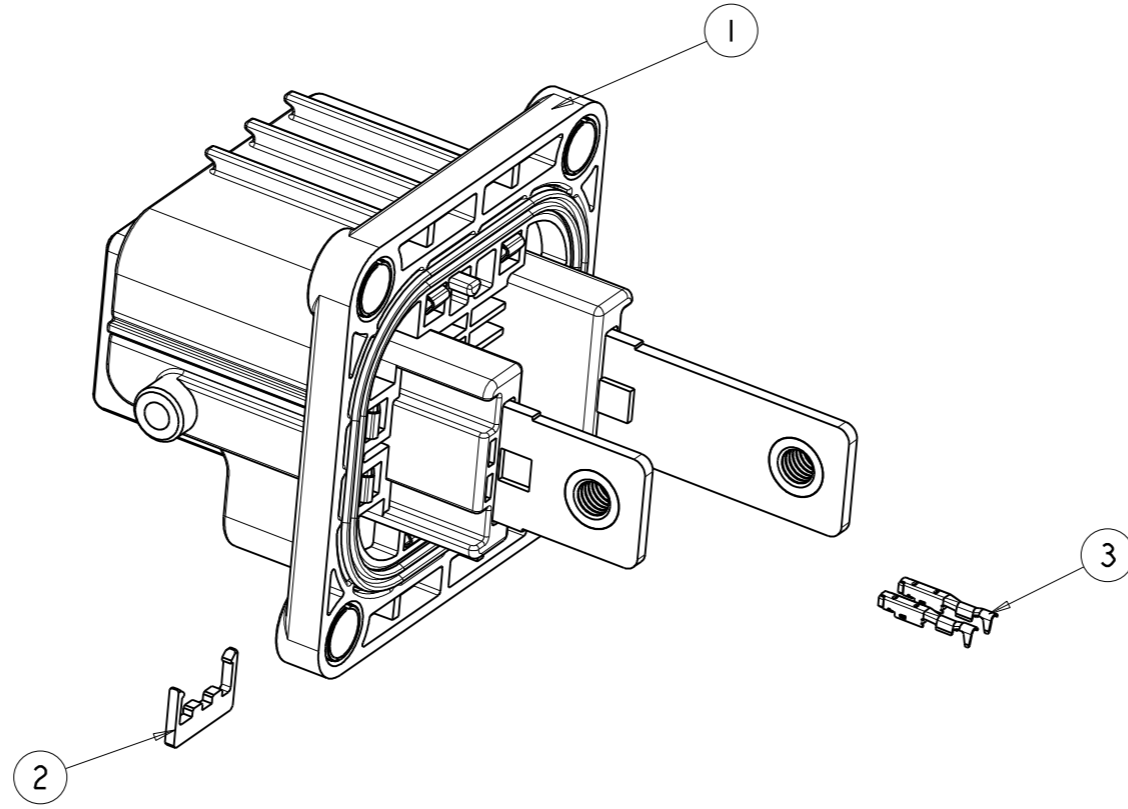
C-HVSLF18022XXH6

C-HVSLF18022XXH6



D key

SIZE	DWG NO.	REV
A3	C-HVSLF18022XXH6	2
SCALE: 1:1		SHEET 4 OF 5



安费诺精密连接器(深圳)有限公司  
Amphenol PCD Shenzhen

---

受控文件

---

2023年8月4日

3	C310003614S	Signal contact Separately order	2	
2	P01BP00691	TPA	1	
1	HVSLF18022XH6	Receptacle body X=(A, B, C, D)	1	
Index	PN	Description	QTY	Note

SIZE	DWG NO.	REV
<b>A3</b>	<b>C-HVSLF18022XXH6</b>	<b>2</b>
SCALE: 1:1		SHEET 5 OF 5