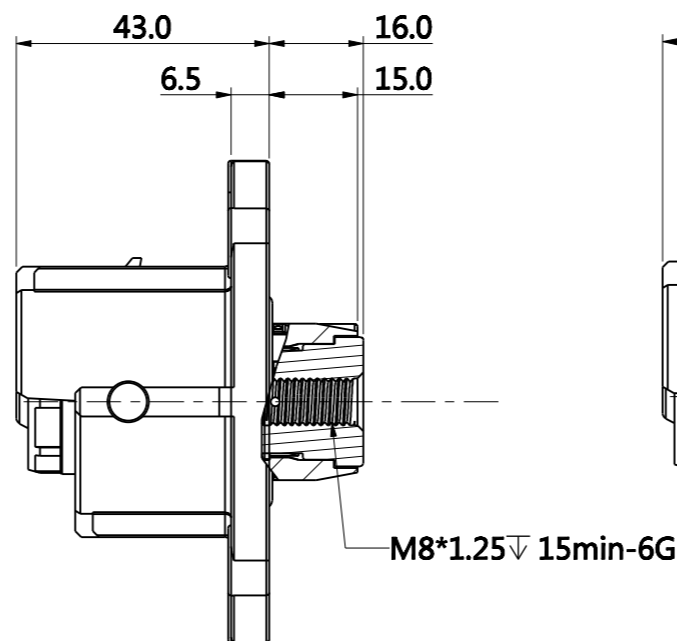
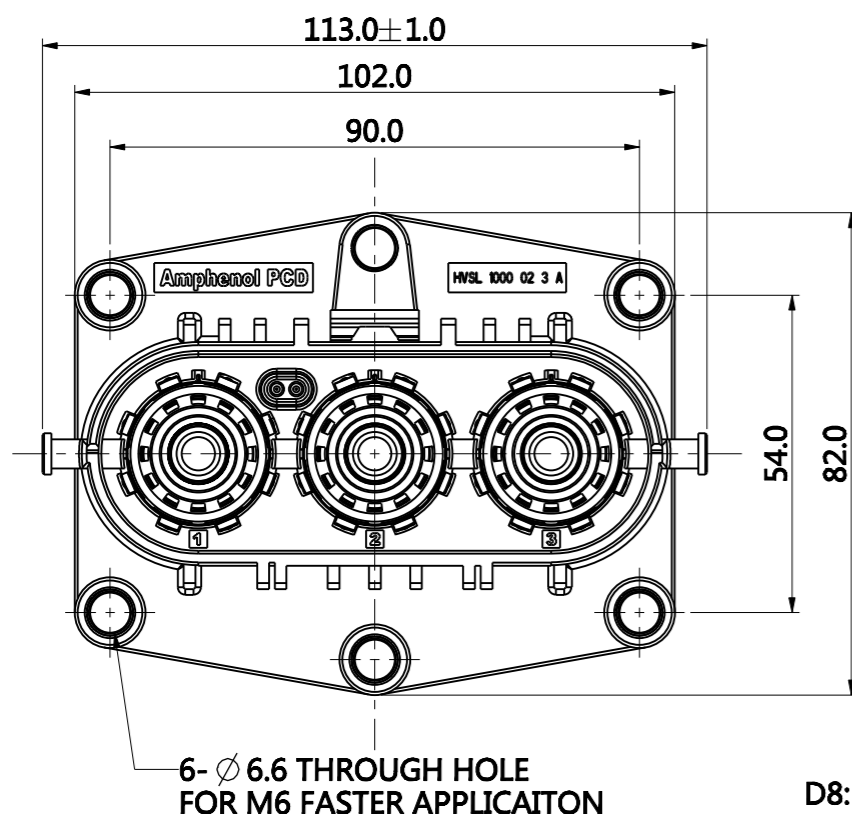
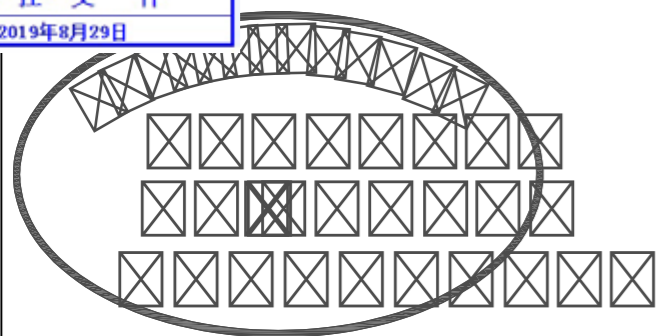
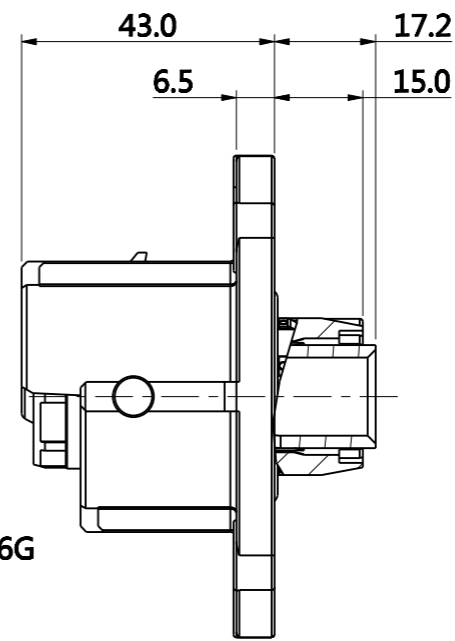


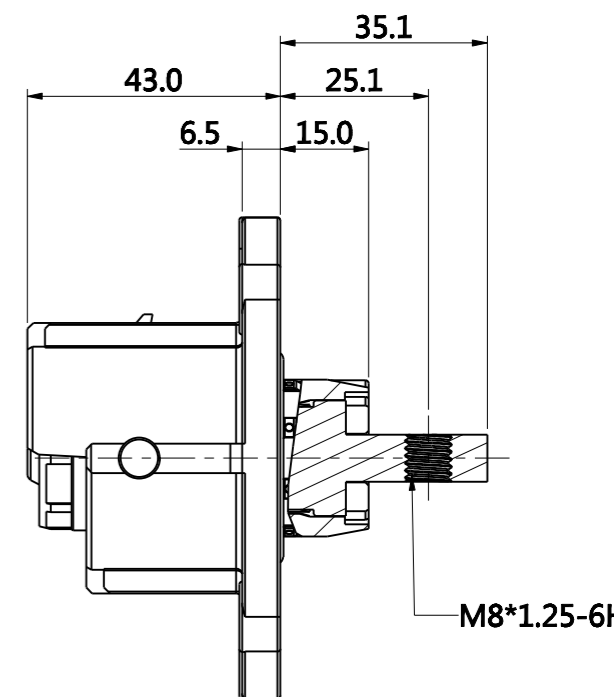
REV	ECN	DESCRIPTION	DATE	MODIFIED
1		RELEASE	2019.7.15	
2	R3571N	ADD DIMENSIONING CHILD PAETS	2019.7.19	



D8: FOR INTERNAL SCREW TERMINAL(M8)



25/35/50/70mm2:FOR CRIMP TERMINAL



H8: FOR BUS-BAR(STANDARD THREAD M8)

1.NOTES:

- (1)FLANGE MOUNTING HOLE M6 LOCKING TORQUE IS 8N.m Max
- (2)CURRENT TERMINAL(BUS-BAR(STANDARD THREAD M8))SET SCREW LOCKING TORQUE IS 15N.m Max
- (3)CURRENT TERMINAL(INTERNAL SCREW TERMINAL(M8))SET SCREW LOCKING TORQUE IS 8N.m Max
- (4)MATERIAL & FINISH:
PLASTIC BODY: THERMOPLASTICS PA66+GF25,ORANGE
POWER TERMINALS : COPPER ALLOY SILVER PLATED
HVIL CONTACTS: COPPER ALLOY GOLD PLATED
SHIELDING: COPPER ALLOY TIN PLATED
RING: STAINLESS STEEL
O-RING: SILICONE RUBBER
- (5)POWER TERMINALS ARE AVAILABLE IN 90° AND 180° DEGREES FOR BUS-BAR, FREELY ASSEMBLED BY THE CUSTOMER
- (6)HVIL PIN FOR CABLE DIAMETER:0.5mm2
- (7)TECHNICAL DATA SHEET:APCD-TD-409

2.PN INSTRUCTIONS:

HVSL 1000 02 3 X X XX

A: CODING A

0: WITHOUT HVIL
1: WITH HVIL

D8: FOR INTERNAL SCREW TERMINAL(M8)
H8: FOR BUS-BAR(STANDARD THREAD M8)
70: FOR CRIMP 70mm2
50: FOR CRIMP 50mm2
35: FOR CRIMP 35mm2
25: FOR CRIMP 25mm2

DIMENSIONS	TOLERANCES	PROJECTION	TITLE		
ANSI Y14.5M UNITS: MM Pro/E FILE	.X ±0.5 .XX ±0.05 ANGLES ±2.0°		HVSL1000 SERIES 3POS RECEPTACLE PANEL MOUTING		
ORIGINAL	THIS DOCUMENT CONTAINS PROPRIETARY INFORMATION WHICH IS THE CONFIDENTIAL PROPERTY OF AMPHENOL PCD SHENZHEN	ENGR	SIZE	DWG NO.	REV
		2019.7.15	A3	C-HVSL1000023XXXX	2
		CHKD	CODE: 58982	SCALE:0.9:1	SHEET 1 OF 4
		APPD			

C-HVSL1000023XXXX

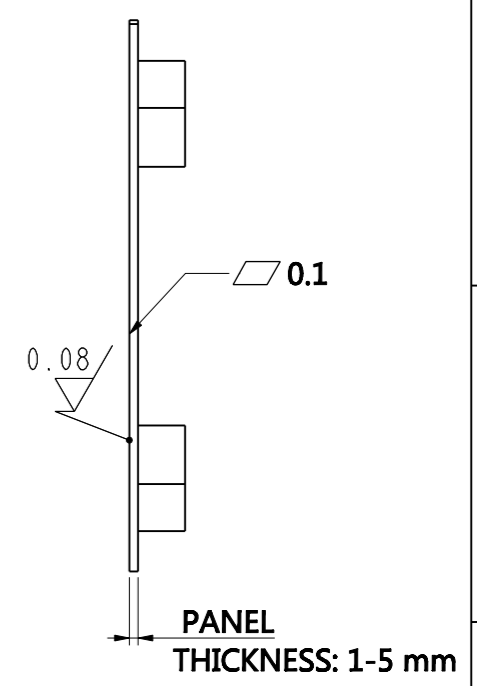
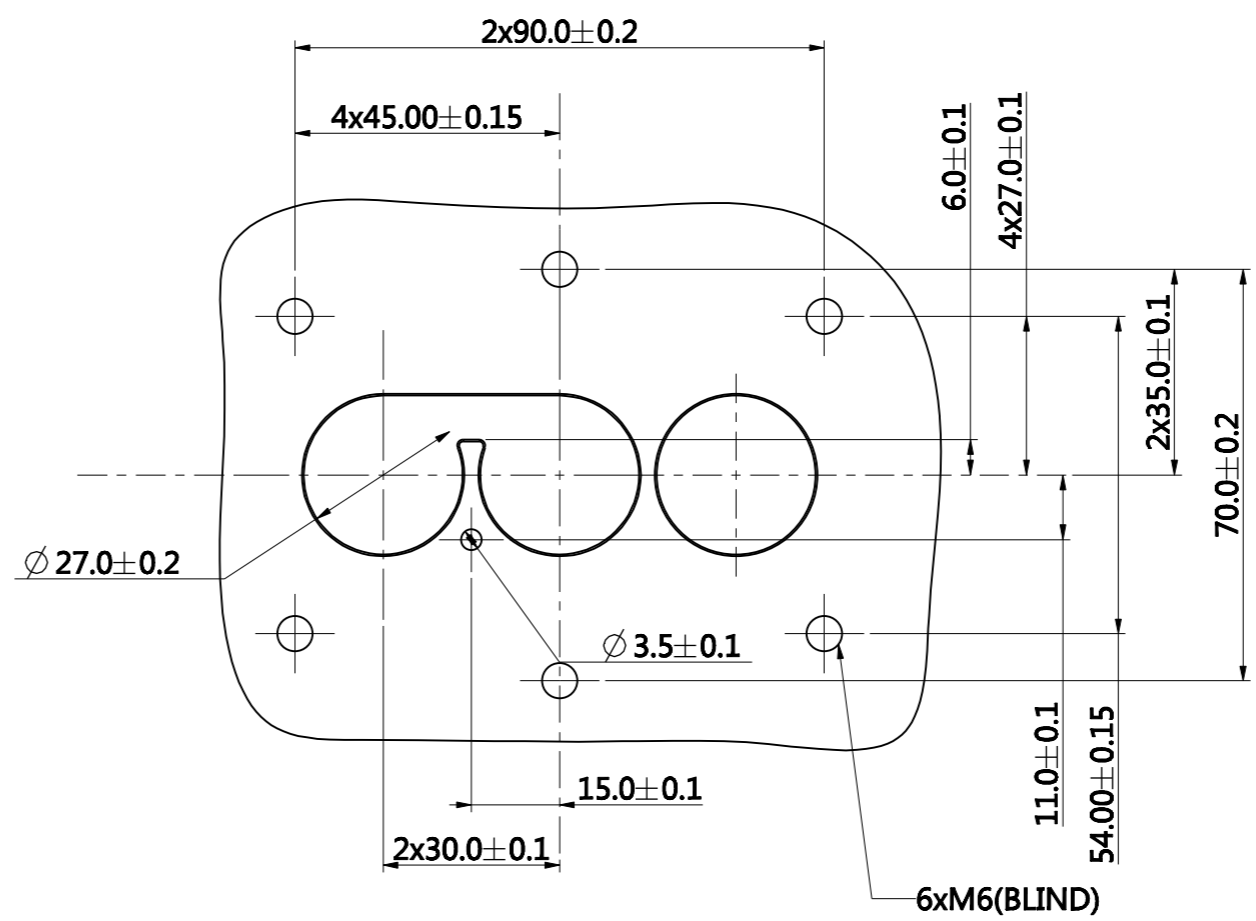
C-HVSL1000023XXXX

3. TECHNICAL DATA

TECHNICAL DATA		RM
CURRENT RATE 25~70MM^2 SHIELD CABLE	25mm2:120A @AMBIENT 70° C 35mm2:150A @AMBIENT 70° C 50mm2:180A @AMBIENT 70° C 70mm2:250A @AMBIENT 70° C	+
RATING VOLTAGE (OVERVOLTAGE CATEGORY II POLLUTION DEGREE 2)	1000V DC	+
OPERRATING TEMPERATURE	-40-125° C	
DIELECTRIC WITHSTANDING VOLTAGE	3000V AC	+
INSULATION RESISTANCE	100 MΩ Min	+
DURABILITY	50 CYCLES	◎
SHIELDING	YES	+
WATERPRROF (MATED CONDITION)	IP67&IP6K9K	+
PROTECTION LEVEL	IP2XB	+
AMBIENT TEMPERATURE	40~70° C	
RoHS	YES	+

✦ CRITICAL CHARACTERISTIC MARKS/关键特性符号
◎ IMPORTANT CHARACTERISTIC MARKS/重要特性符号

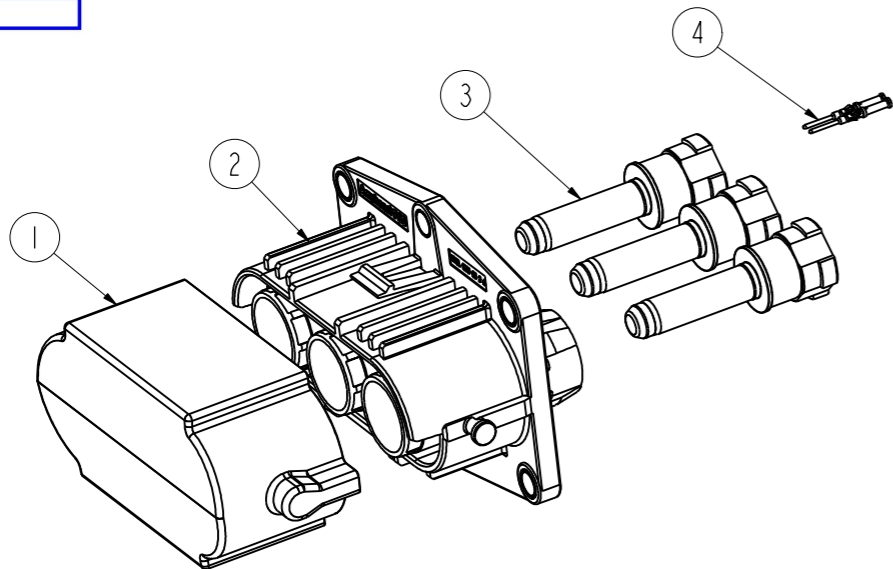
MOUNTING INTERFACE VIEW



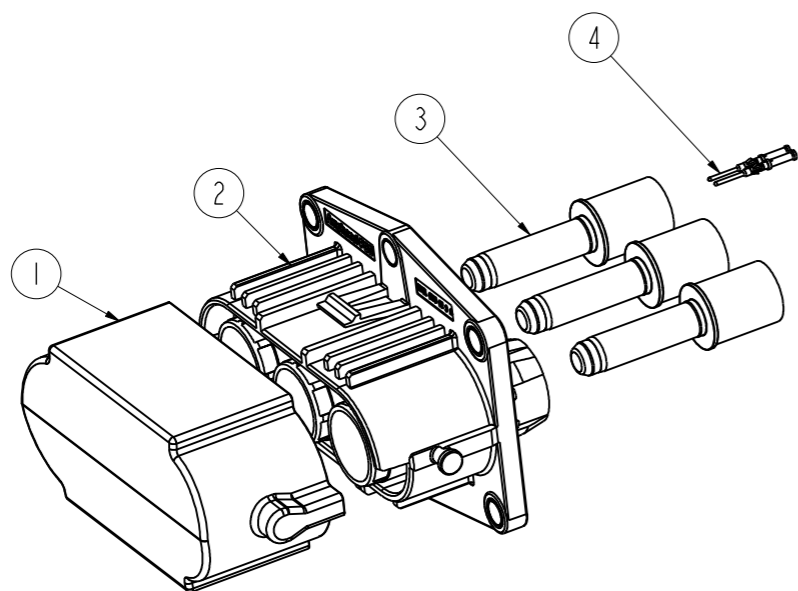
C-HVSL1000023XXXX

C-HVSL1000023XXXX

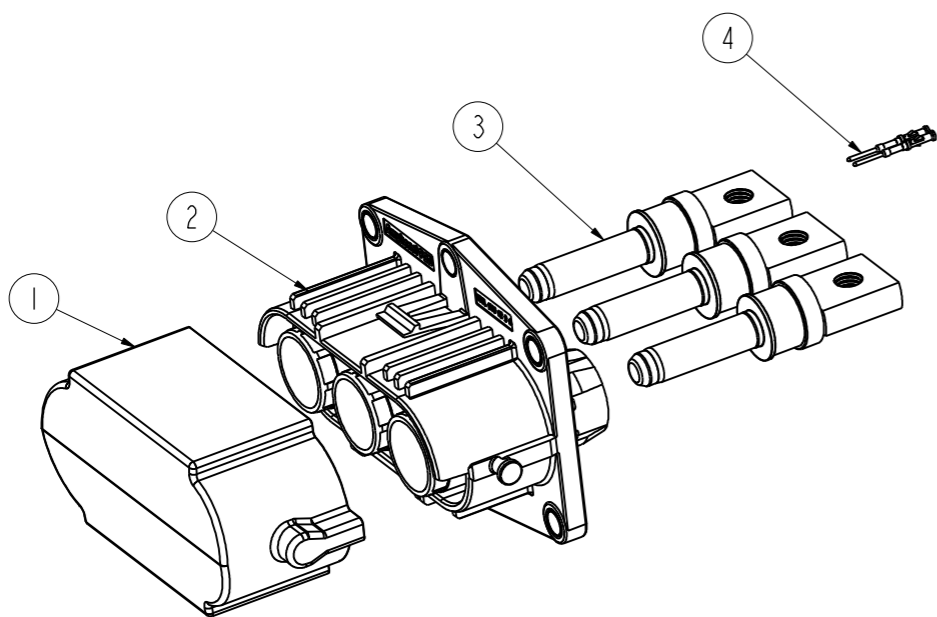
SIZE A3	DWG NO. C-HVSL1000023XXXX	REV 2
CODE: 58982	SCALE: 1:1	SHEET 2 OF 4



HVSL1000023A1D8	4	C200003609	HVIL PIN	2
	3	P03BM00023	INTERNAL SCREW TERMINAL	3
	2	HVSL1000023A	RECEPTACLE BODY,KEY A	1
	1	P03BR00045	PROTECTIVE CAP	1
	ITEM	PART NO.	DESCRIPTION	Q'TY



HVSL1000023A125/35/50/70	4	C200003609	HVIL PIN	2
	3	C42000361511	CRIMP TERMINAL(70mm2)	3
		C42000361512	CRIMP TERMINAL(50mm2)	3
		C42000361513	CRIMP TERMINAL(35mm2)	3
		C42000361514	CRIMP TERMINAL(25mm2)	3
2	HVSL1000023A	RECEPTACLE BODY,KEY A	1	
1	P03BR00045	PROTECTIVE CAP	1	
ITEM	PART NO.	DESCRIPTION	Q'TY	

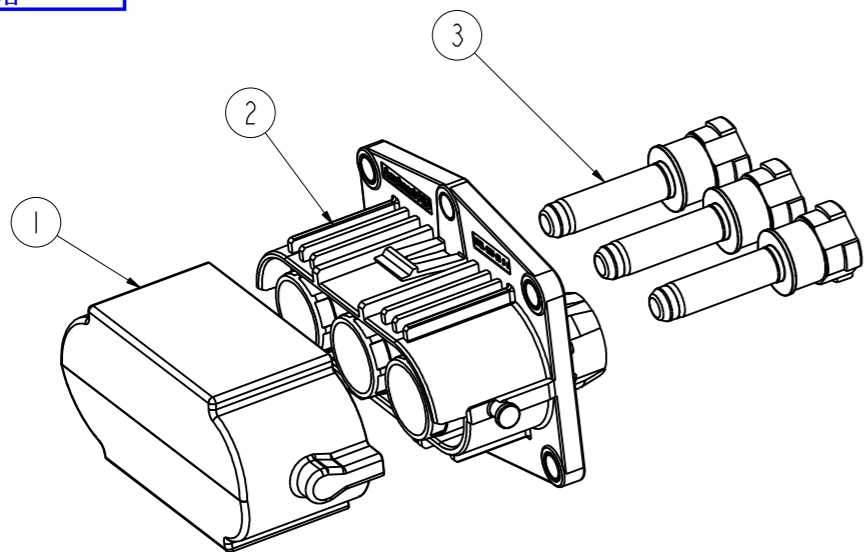


HVSL1000023A1H8	4	C200003609	HVIL PIN	2
	3	C4200036152	BUS-BAR	3
	2	HVSL1000023A	RECEPTACLE BODY,KEY A	1
	1	P03BR00045	PROTECTIVE CAP	1
	ITEM	PART NO.	DESCRIPTION	Q'TY

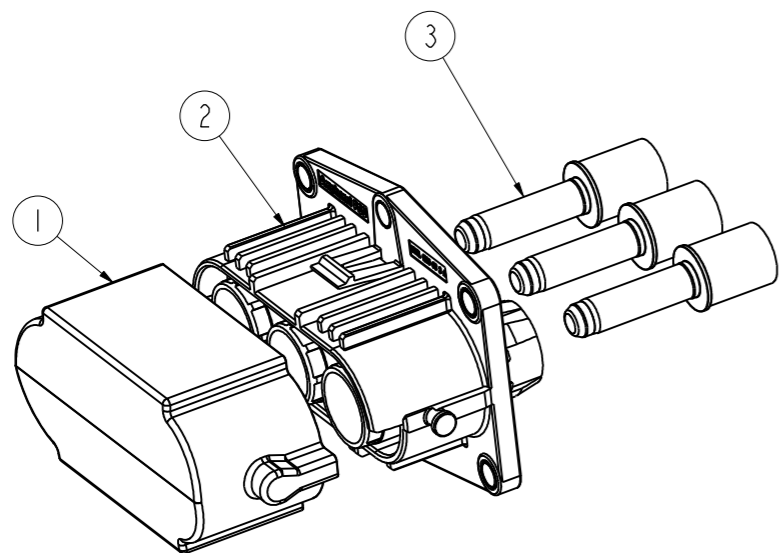
C-HVSL1000023XXXX

C-HVSL1000023XXXX

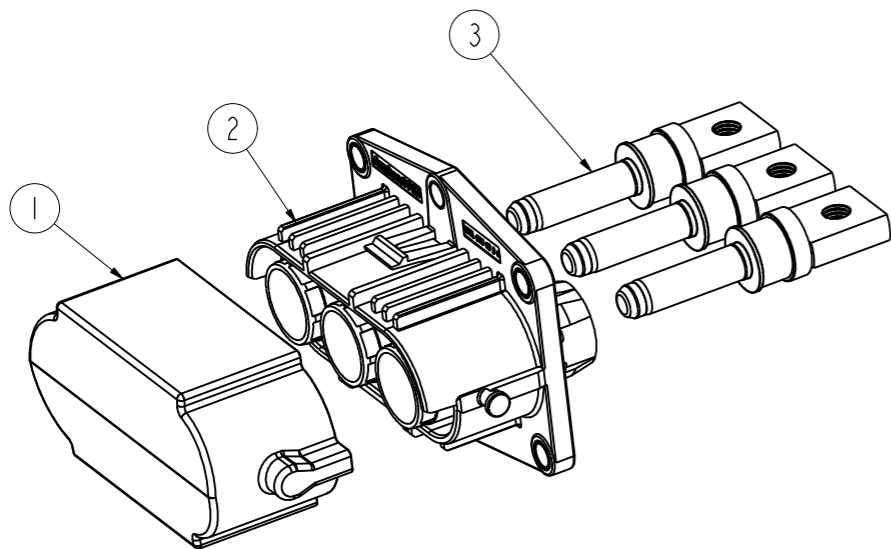
SIZE	DWG NO.	REV
A3	C-HVSL1000023XXXX	2
CODE: 58982	SCALE:	SHEET 3 OF 4



HVSL1000023A0D8	3	P03BM00023	INTERNAL SCREW TERMINAL	3
	2	HVSL1000023A	RECEPTACLE BODY,KEY A	1
	1	P03BR00045	PROTECTIVE CAP	1
	ITEM	PART NO.	DESCRIPTION	Q'TY



HVSL1000023A025/35/50/70	3	C42000361511	CRIMP TERMINAL(70mm2)	3
		C42000361512	CRIMP TERMINAL(50mm2)	3
		C42000361513	CRIMP TERMINAL(35mm2)	3
		C42000361514	CRIMP TERMINAL(25mm2)	3
	2	HVSL1000023A	RECEPTACLE BODY,KEY A	1
	1	P03BR00045	PROTECTIVE CAP	1
	ITEM	PART NO.	DESCRIPTION	Q'TY



HVSL1000023A0H8	3	C4200036152	BUS-BAR	3
	2	HVSL1000023A	RECEPTACLE BODY,KEY A	1
	1	P03BR00045	PROTECTIVE CAP	1
	ITEM	PART NO.	DESCRIPTION	Q'TY

C-HVSL1000023XXXX

C-HVSL1000023XXXX

SIZE	DWG NO.	REV
A3	C-HVSL1000023XXXX	2
CODE: 58982	SCALE:	SHEET 4 OF 4