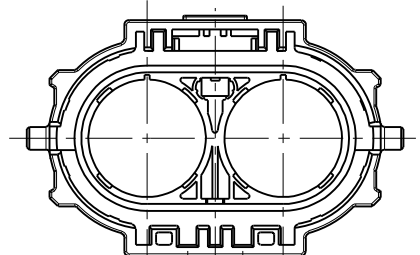


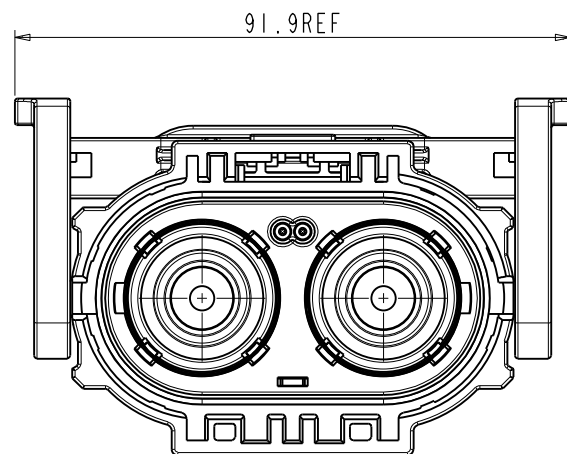
Amphenol PCDs
ORIGINAL
PDF Format
R&D

REV	ECN	DESCRIPTION	DATE	MODIFIED
1		PRE- RELEASE	24/4/17	
2		INCREASE THE BOM	12/22/17	
3		CHANGE DIAGRAM	20/07/18	
4	R3472N	ADD DIMENSIONING CHILD PAETS	18/07/19	
5	C4612N	CHANGE THE KEY STRUCTURE	2020.7.29	
6	R7521W	ADJUST KEY STRUCTURE	Oct-20-2023	

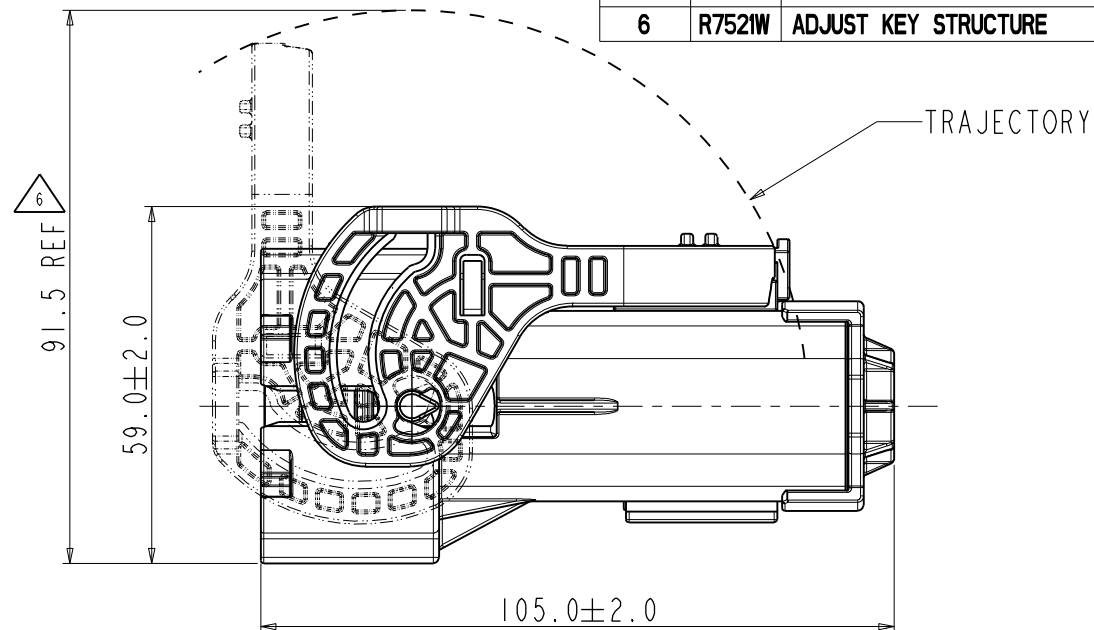


6.08±0.5 6.08±0.5

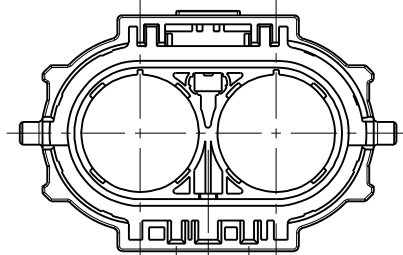
HVSL 1000 06 2 A
CODING A



91.9 REF

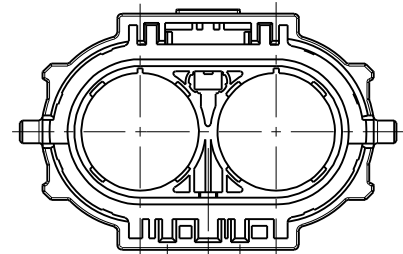


TRAJECTORY



7.0 9.0

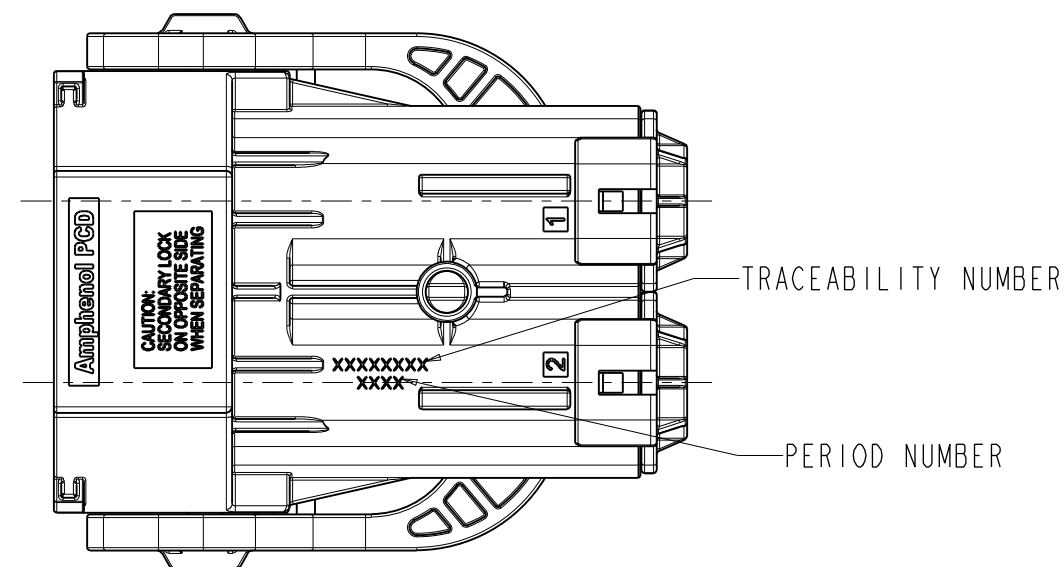
HVSL 1000 06 2 B
CODING B



9.0 7.0

HVSL 1000 06 2 C
CODING C

TECHNICAL DATA		RM
CURRENT RATE 25-70MM ² SHIELD CABLE	25mm ² : 120A @AMBIENT 70°C 35mm ² : 150A @AMBIENT 70°C 50mm ² : 180A @AMBIENT 70°C 70mm ² : 250A @AMBIENT 70°C	+
RATING VOLTAGE (OVERVOLTAGE CATEGORY II POLLUTION DEGREE 2)	1000V DC	+
OPERRATING TEMPERATURE	-40-125°C	
DIELECTRIC WITHSTANDING VOLTAGE	3000V AC	+
INSULATION RESISTANCE	100 MΩ Min	+
DURABILITY	50 CYCLES	⊙
SHIELDING	YES	
WATERPROOF (MATED CONDITION)	IP67&IP6K9K	+
PROTECTION LEVEL	IP2XB	+
AMBIENT TEMPERATURE	40-70°C	
RoHS & REACH	YES	+



TRACEABILITY NUMBER

PERIOD NUMBER

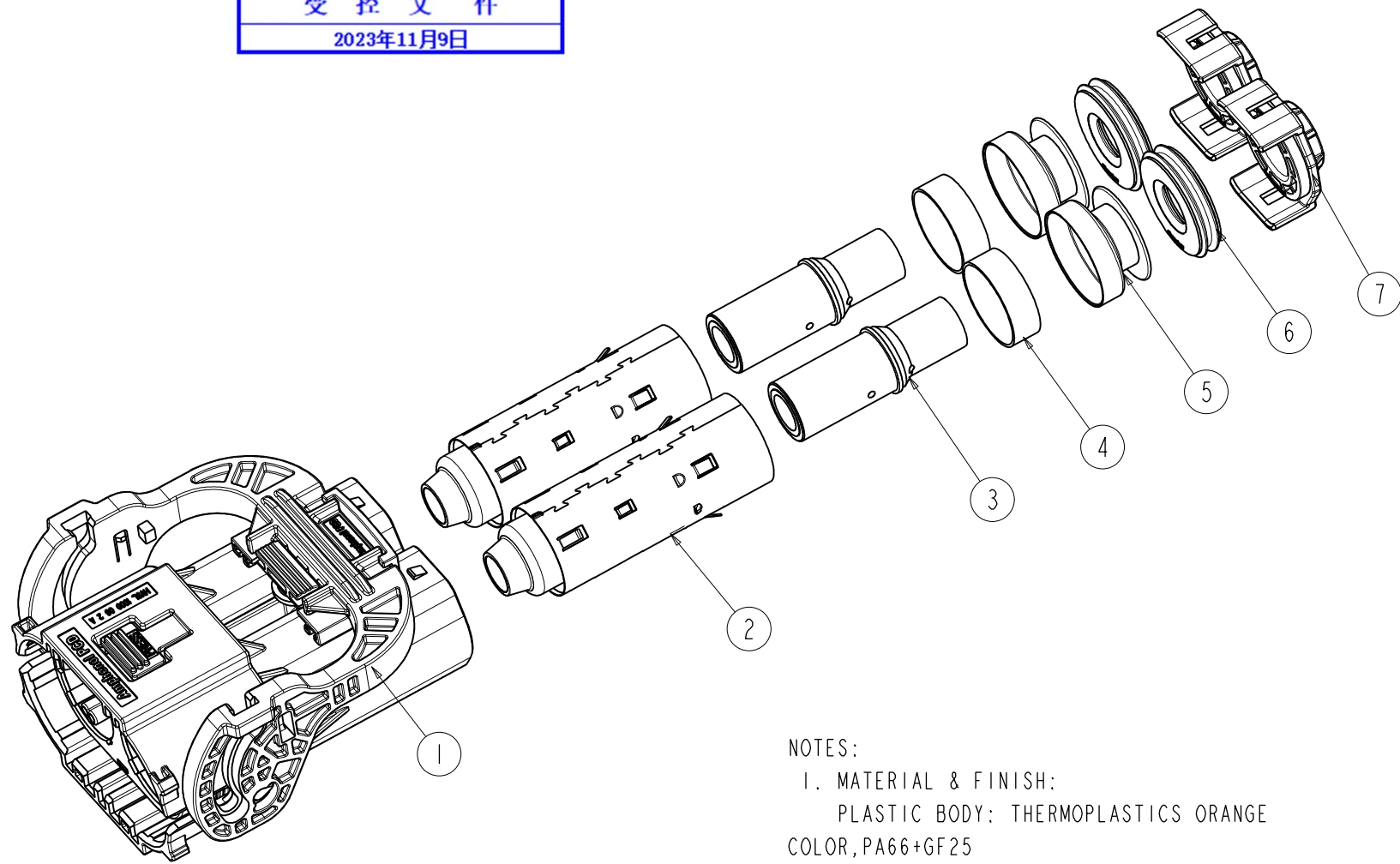
C-HVSL1000062XXXX

C-HVSL1000062XXXX

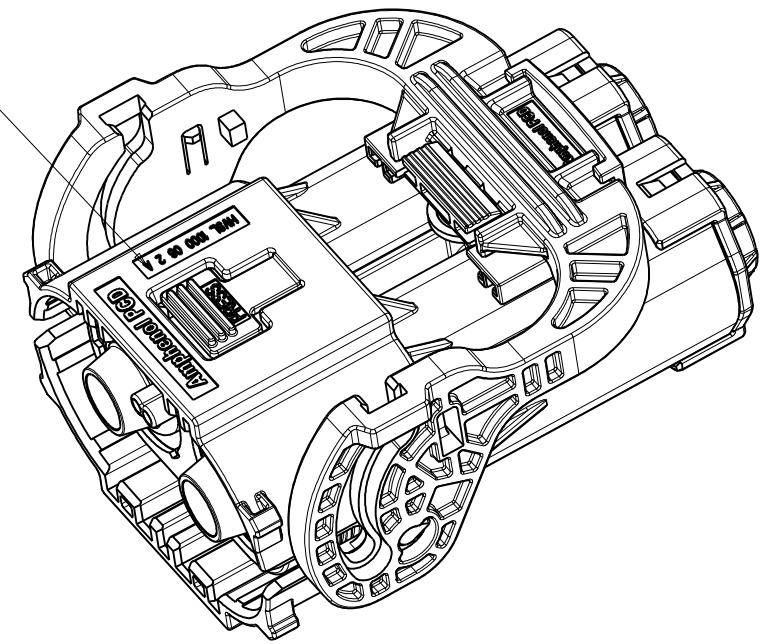
+ CRITICAL CHARACTERISTIC MARKS/关键特性符号

⊙ IMPORTANT CHARACTERISTIC MARKS/重要特性符号

DIMENSIONS	TOLERANCES	PROJECTION	TITLE		
ANSI Y14.5M UNITS: MM Pro/E FILE	.X ±0.5 .XX ±0.05 ANGLES ±2°		HVSL 1000 06 2 X STRAIGHT PLUG ASSEMBLY		
ORIGINAL	THIS DOCUMENT CONTAINS PROPRIETARY INFORMATION WHICH IS THE CONFIDENTIAL PROPERTY OF Amphenol PCD Shenzhen Co. Ltd Amphenol PCD Shenzhen Co. Ltd RESERVES THE RIGHT TO CLARIFY THIS DRAWING	ENGR	SIZE	DWG NO.	REV
		25/4/17	A3	C-HVSL1000062XXXX	6
		CHKD	SCALE: 1:1		SHEET 1 OF 2
		APPD			



KEY NUMBER



NOTES:

1. MATERIAL & FINISH:
 PLASTIC BODY: THERMOPLASTICS ORANGE
 COLOR, PA66+GF25
 POWER CONTACT: COPPER ALLOY SILVER PLATED
 HVIL CONTACTS: COPPER ALLOY GOLD PLATED
 SEAL RING: S1
2. HVIL PIN FOR CABLE DIAMETER: 0.5mm²
3. PART NUMBER DESCRIPTION:

HVSL1000062 XX XX



BOM LIST:

ITEM	P/N	Q'ty	DESCRIPTION
7	SEE TABLE 2	2	END CAP
6	SEE TABLE 2	2	CABLE SEAL
5	SEE TABLE 2	2	OUT FERRULE
4	C200003617	2	INNER FERRULE
3	SEE TABLE 2	2	SOCKRT CONTACT BODY
2	C631003619	2	SHIELDING COMPONENT
1	SEE TABLE 1	1	MAIN BODY & WITH HVIL

TABLE 1:

KEY & HVIL CODE	DESCRIPTION	I# PART
A1	A KEY, WITH HVIL	HVSL1000062A1
B1	B KEY, WITH HVIL	HVSL1000062B1
C1	C KEY, WITH HVIL	HVSL1000062C1
A0	A KEY, WITHOUT HVIL	HVSL1000062A0
B0	B KEY, WITHOUT HVIL	HVSL1000062B0
C0	C KEY, WITHOUT HVIL	HVSL1000062C0

TABLE 2:

CABLE CODE	DESCRIPTION	3# PART	5# PART	6# PART	7# PART
70	70MM ² CABLE, OD=19.0±0.3MM	C4200036161	C2000036141	C2700036044	C2200037254
50	50MM ² CABLE, OD=16.5±0.3MM	C4200036162	C2000036142	C2700036041	C2200037251
35	35MM ² CABLE, OD=14.2±0.3MM	C4200036163	C2000036143	C2700036042	C2200037252
25	25MM ² CABLE, OD=11.9±0.3MM	C4200036164	C2000036144	C2700036043	C2200037253

SIZE A3	DWG NO. C-HVSL1000062XXXX	REV 6
SCALE: 1:1		SHEET 2 OF 2