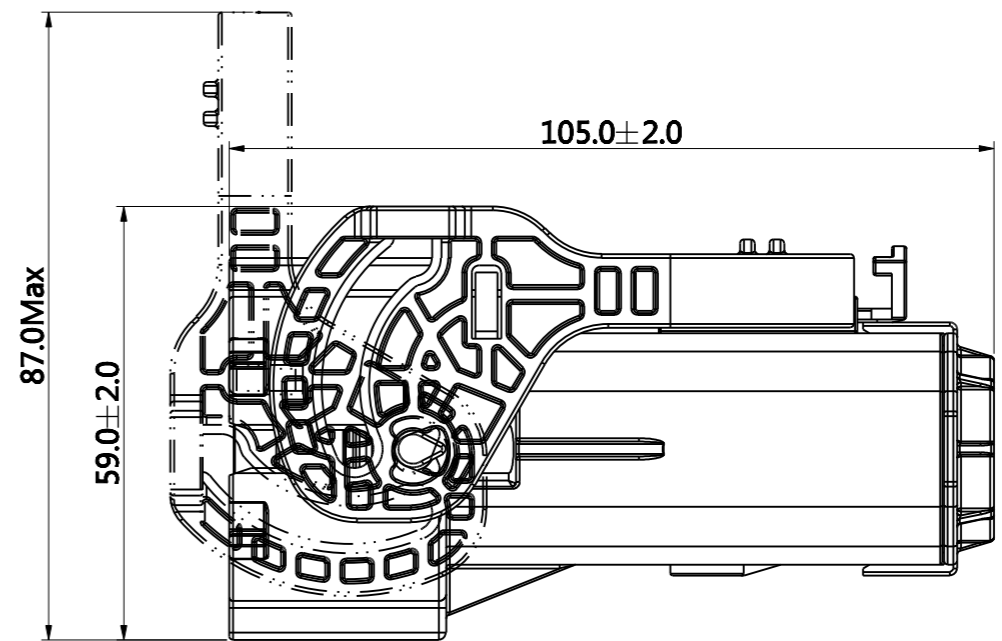
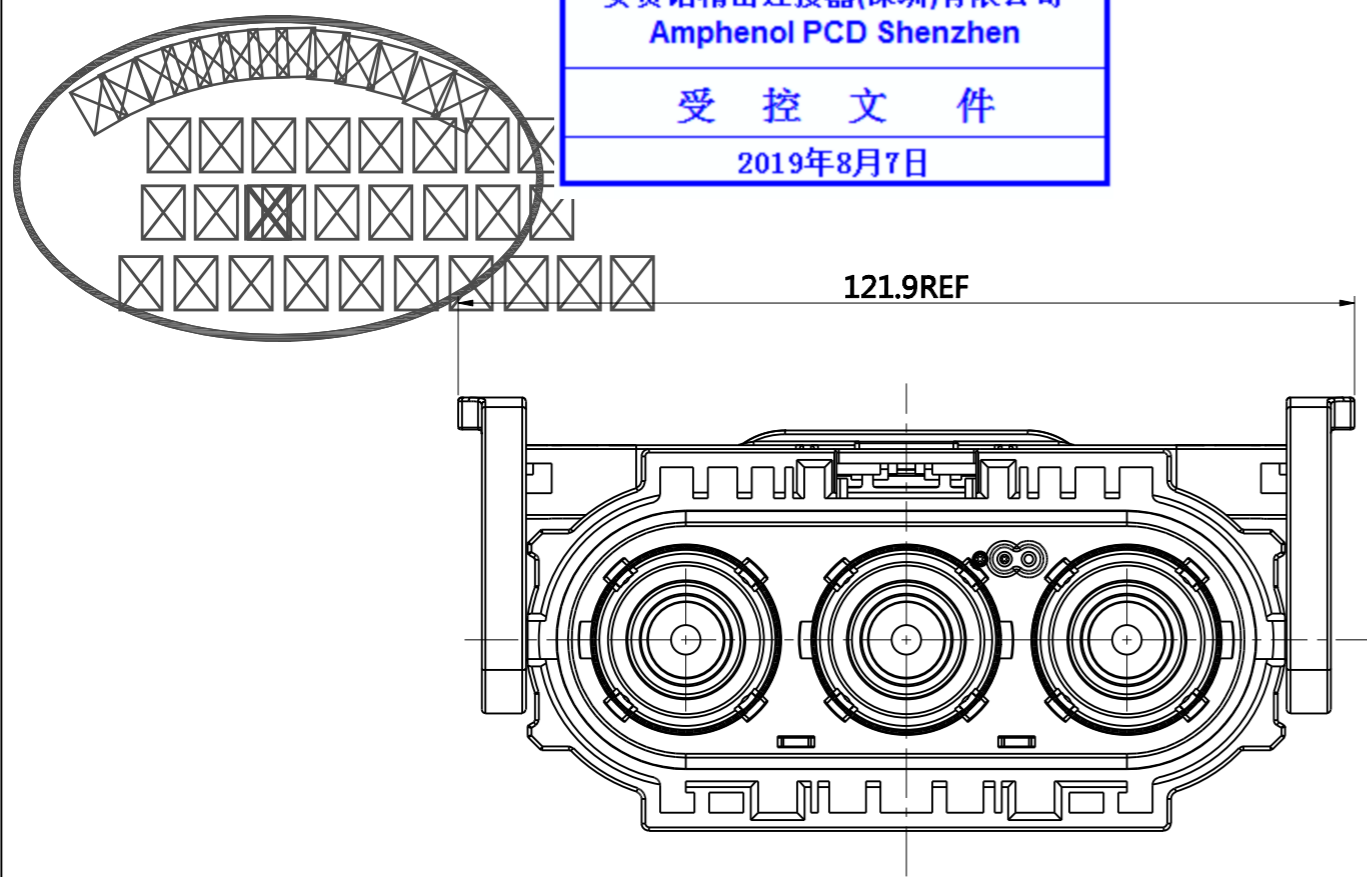


安费诺精密连接器(深圳)有限公司
Amphenol PCD Shenzhen
受控文件
2019年8月7日

C-HVSL1000063XXXX

| REV | ECN | DESCRIPTION | DATE | MODIFIED |
|-----|-----|-------------|------------|----------|
| 1 | | RELEASE | 2019.07.15 | |



C-HVSL1000063XXXX

C-HVSL1000063XXXX

| TECHNICAL DATA | | RM |
|---|--|----|
| CURRENT RATE 25~70MM ² SHIELD CABLE | 25mm ² :120A @AMBIENT 70° C 35mm ² :150A @AMBIENT 70° C 50mm ² :180A @AMBIENT 70° C 70mm ² :250A @AMBIENT 70° C | + |
| RATING VOLTAGE (OVERVOLTAGE CATEGORY II POLLUTION DEGREE 2) | 1000V DC | + |
| OPERRATING TEMPERATURE | -40-125° C | |
| DIELECTRIC WITHSTANDING VOLTAGE | 3000V AC | + |
| INSULATION RESISTANCE | 100 MΩ Min | + |
| DURABILITY | 50 CYCLES | ⊙ |
| SHIELDING | YES | |
| WATERPRROF (MATED CONDITION) | IP67&IP6K9K | + |
| PROTECTION LEVEL | IP2XB | + |
| AMBIENT TEMPERATURE | 40~70° C | |
| RoHS | YES | + |

+ CRITICAL CHARACTERISTIC MARKS/关键特性符号
⊙ IMPORTANT CHARACTERISTIC MARKS/重要特性符号

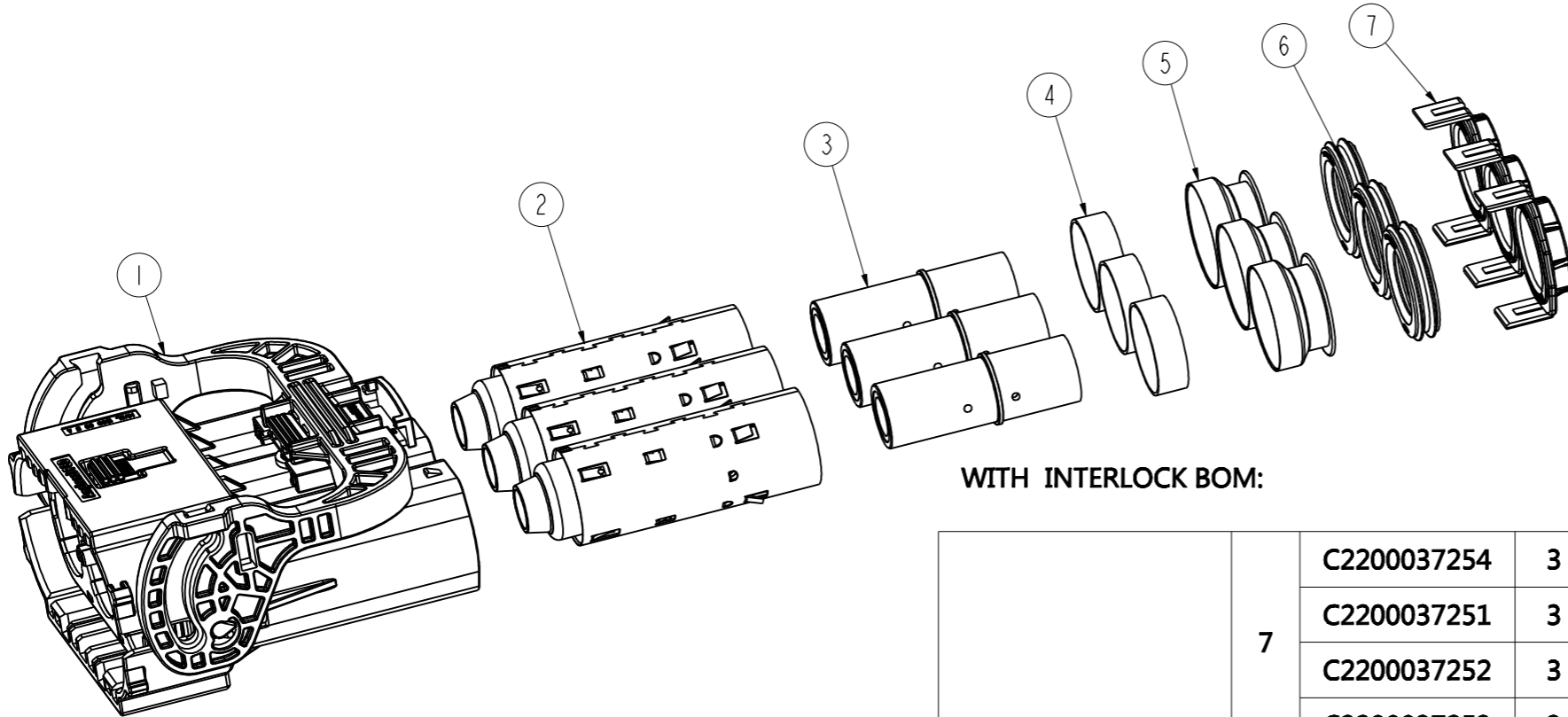
NOTES:

- MATERIAL & FINISH:
PLASTIC BODY: THERMOPLASTICS ORANGE COLOR,PA66+GF25
POWER CONTACT: COPPER ALLOY SILVER PLATED
HVIL CONTACTS: COPPER ALLOY GOLD PLATED
SEAL RING: SI
- HVIL PIN FOR CABLE DIAMETER:0.5mm²
- TECHNICAL DATA SHEET:APCD-TD-409
- PART NUMBER DESCRIPTION:

HVSL 1000 06 3 X X XX

- A: CODING A
- 0: WITHOUT HVIL
- 1: WITH HVIL
- 70: CROSS-SECTION 70mm²: WIRE OD=19.0 ± 0.3mm
- 50: CROSS-SECTION 50mm²: WIRE OD=16.5 ± 0.3mm
- 35: CROSS-SECTION 35mm²: WIRE OD=14.2 ± 0.3mm
- 25: CROSS-SECTION 25mm²: WIRE OD=11.9 ± 0.3mm

| DIMENSIONS | TOLERANCES | PROJECTION | TITLE | | |
|--|---|------------|---------------------------------------|-------------------|--------------|
| ANSI Y14.5M UNITS: MM Pro/E FILE | .X ±0.5 .XX ±0.05 ANGLES ±0.5° | | HVSL1000 SERIES 3POS STRAIGHT PLUG | | |
| ORIGINAL | THIS DOCUMENT CONTAINS PROPRIETARY INFORMATION WHICH IS THE CONFIDENTIAL PROPERTY OF AMPHENOL PCD SHENZHEN | ENGR | SIZE | DWG NO. | REV |
| | | 15/07/19 | A3 | C-HVSL1000063XXXX | 1 |
| | | CHKD | CODE: 58982 | SCALE:0.9:1 | SHEET 1 OF 3 |
| | | APPD | | | |



安费诺精密连接器(深圳)有限公司
Amphenol PCD Shenzhen
受控文件
2019年8月7日

WITH INTERLOCK BOM:

| ITEM | P/N | Q'ty | REMARK | DESCRIPTION |
|------|---------------|------|-------------------|------------------------------------|
| 7 | C2200037254 | 3 | 70mm ² | END CAP(CABLE OD:19.0 ± 0.3mm) |
| | C2200037251 | 3 | 50mm ² | END CAP(CABLE OD:16.5 ± 0.3mm) |
| | C2200037252 | 3 | 35mm ² | END CAP(CABLE OD:14.2 ± 0.3mm) |
| | C2200037253 | 3 | 25mm ² | END CAP(CABLE OD:11.9 ± 0.3mm) |
| 6 | C2700036044 | 3 | 70mm ² | CABLE SEAL(CABLE OD:19.0 ± 0.3mm) |
| | C2700036041 | 3 | 50mm ² | CABLE SEAL(CABLE OD:16.5 ± 0.3mm) |
| | C2700036042 | 3 | 35mm ² | CABLE SEAL(CABLE OD:14.2 ± 0.3mm) |
| | C2700036043 | 3 | 25mm ² | CABLE SEAL(CABLE OD:11.9 ± 0.3mm) |
| 5 | C2000036141 | 3 | 70mm ² | OUT FERRULE(CABLE OD:19.0 ± 0.3mm) |
| | C2000036142 | 3 | 50mm ² | OUT FERRULE(CABLE OD:16.5 ± 0.3mm) |
| | C2000036143 | 3 | 35mm ² | OUT FERRULE(CABLE OD:14.2 ± 0.3mm) |
| | C2000036144 | 3 | 25mm ² | OUT FERRULE(CABLE OD:11.9 ± 0.3mm) |
| 4 | C200003617 | 3 | ALL | INNER FERRULE |
| 3 | C4200036161 | 3 | 70mm ² | SOCKRT CONTACT BODY |
| | C4200036162 | 3 | 50mm ² | |
| | C4200036163 | 3 | 35mm ² | |
| | C4200036164 | 3 | 25mm ² | |
| 2 | C631003619 | 3 | ALL | SHIELDING COMPONENT |
| 1 | HVSL1000063A1 | 1 | KEY A | MAIN BODY & WITH HVIL |
| | | | | DESCRIPTION |

HVSL1000063 A 1 XX
"XX"=25/35/50/70

C-HVSL1000063XXXX

C-HVSL1000063XXXX

| | | |
|-------------|-------------------|--------------|
| SIZE | DWG NO. | REV |
| A3 | C-HVSL1000063XXXX | 1 |
| CODE: 58982 | SCALE: | SHEET 2 OF 3 |

WITHOUT INTERLOCK STRUCTURE:

| | | | | | |
|--|------|---------------|------|-------------------|------------------------------------|
| HVSL1000063 A 0 XX "XX"=25/35/50/70 | 7 | C2200037254 | 3 | 70mm ² | END CAP(CABLE OD:19.0 ± 0.3mm) |
| | | C2200037251 | 3 | 50mm ² | END CAP(CABLE OD:16.5 ± 0.3mm) |
| | | C2200037252 | 3 | 35mm ² | END CAP(CABLE OD:14.2 ± 0.3mm) |
| | | C2200037253 | 3 | 25mm ² | END CAP(CABLE OD:11.9 ± 0.3mm) |
| | 6 | C2700036044 | 3 | 70mm ² | CABLE SEAL(CABLE OD:19.0 ± 0.3mm) |
| | | C2700036041 | 3 | 50mm ² | CABLE SEAL(CABLE OD:16.5 ± 0.3mm) |
| | | C2700036042 | 3 | 35mm ² | CABLE SEAL(CABLE OD:14.2 ± 0.3mm) |
| | | C2700036043 | 3 | 25mm ² | CABLE SEAL(CABLE OD:11.9 ± 0.3mm) |
| | 5 | C2000036141 | 3 | 70mm ² | OUT FERRULE(CABLE OD:19.0 ± 0.3mm) |
| | | C2000036142 | 3 | 50mm ² | OUT FERRULE(CABLE OD:16.5 ± 0.3mm) |
| | | C2000036143 | 3 | 35mm ² | OUT FERRULE(CABLE OD:14.2 ± 0.3mm) |
| | | C2000036144 | 3 | 25mm ² | OUT FERRULE(CABLE OD:11.9 ± 0.3mm) |
| | 4 | C200003617 | 3 | ALL | INNER FERRULE |
| | 3 | C4200036161 | 3 | 70mm ² | SOCKRT CONTACT BODY |
| | | C4200036162 | 3 | 50mm ² | |
| | | C4200036163 | 3 | 35mm ² | |
| | | C4200036164 | 3 | 25mm ² | |
| | 2 | C631003619 | 3 | ALL | SHIELDING COMPONENT |
| | 1 | HVSL1000063A0 | 1 | KEY A | MAIN BODY & WITHOUT HVIL |
| | ITEM | P/N | Q'ty | REMARK | DESCRIPTION |

安费诺精密连接器(深圳)有限公司
Amphenol PCD Shenzhen

受 控 文 件

2019年8月7日

| | | |
|-------------|-------------------|--------------|
| SIZE | DWG NO. | REV |
| A3 | C-HVSL1000063XXXX | 1 |
| CODE: 58982 | SCALE: | SHEET 3 OF 3 |