

比例 4:5

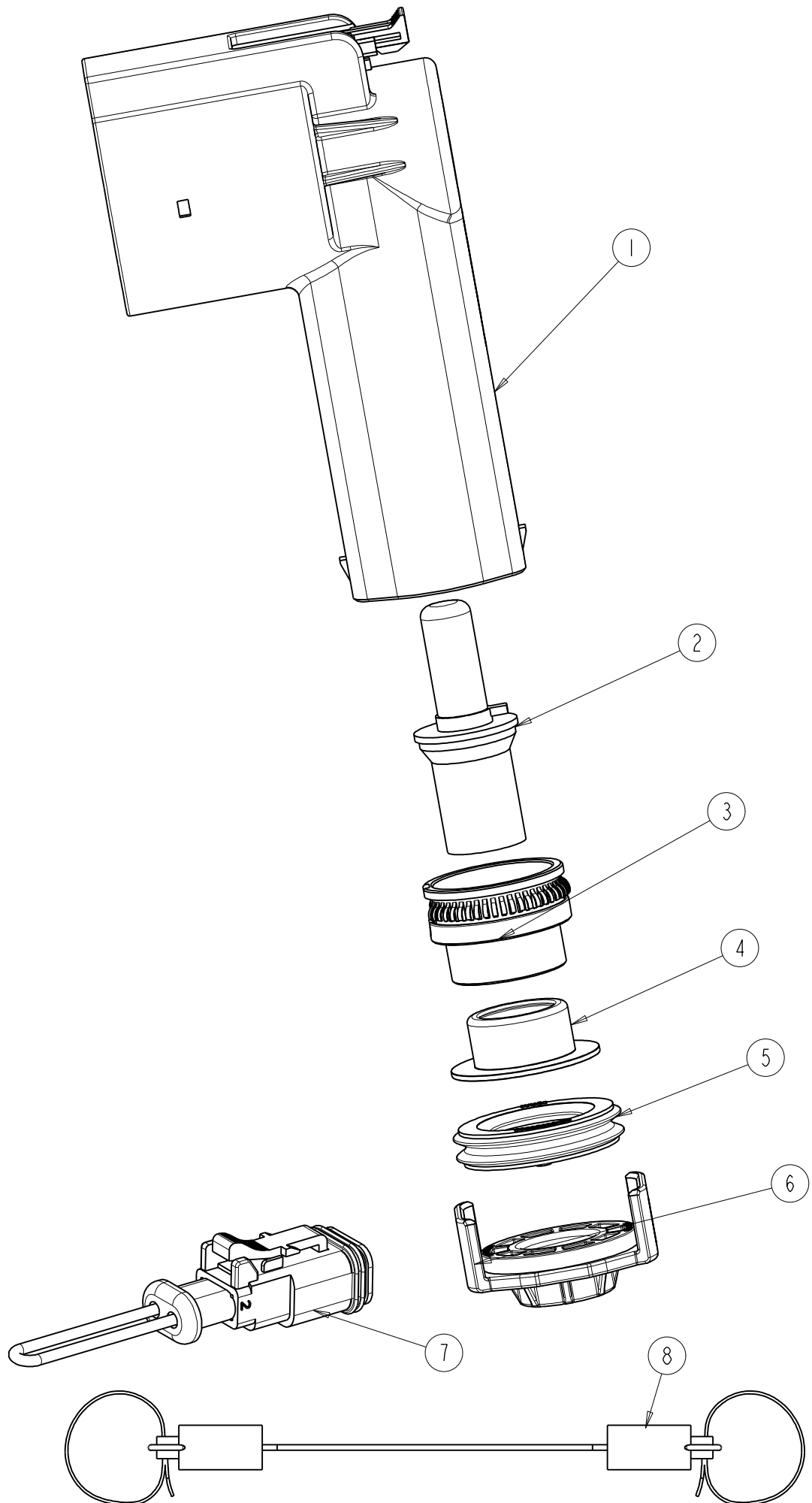
HVSL1000081 X 0 XX
 "X"=A/B
 "XX"=25/35/50/70

HVSL1000081X SELECTION:

HVSL1000081A	KEY A
HVSL1000081B	KEY B

ITEM	P/N	Q'ty	REMARK	DESCRIPTION
6	C2200037254	1	70mm ²	END CAP(CABLE OD:19.0 ± 0.3mm)
	C2200037251	1	50mm ²	END CAP(CABLE OD:16.5 ± 0.3mm)
	C2200037252	1	35mm ²	END CAP(CABLE OD:14.2 ± 0.3mm)
	C2200037253	1	25mm ²	END CAP(CABLE OD:11.9 ± 0.3mm)
5	C2700036044	1	70mm ²	CABLE SEAL(CABLE OD:19.0 ± 0.3mm)
	C2700036041	1	50mm ²	CABLE SEAL(CABLE OD:16.5 ± 0.3mm)
	C2700036042	1	35mm ²	CABLE SEAL(CABLE OD:14.2 ± 0.3mm)
	C2700036043	1	25mm ²	CABLE SEAL(CABLE OD:11.9 ± 0.3mm)
4	C2000036321	1	70mm ²	INNER FERRULE(CABLE OD:19.0 ± 0.3mm)
	C2000036322	1	50mm ²	INNER FERRULE(CABLE OD:16.5 ± 0.3mm)
	C2000036323	1	35mm ²	INNER FERRULE(CABLE OD:14.2 ± 0.3mm)
	C2000036324	1	25mm ²	INNER FERRULE(CABLE OD:11.9 ± 0.3mm)
3	C4200036331	1	70mm ²	OUT FERRULE(CABLE OD:19.0 ± 0.3mm)
	C4200036332	1	50mm ²	OUT FERRULE(CABLE OD:16.5 ± 0.3mm)
	C4200036333	1	35mm ²	OUT FERRULE(CABLE OD:14.2 ± 0.3mm)
	C4200036333	1	25mm ²	OUT FERRULE(CABLE OD:11.9 ± 0.3mm)
2	C4200036311	1	70mm ²	CONTACT BODY
	C4200036312	1	50mm ²	
	C4200036313	1	35mm ²	
	C4200036314	1	25mm ²	
1	HVSL1000081X	1	KEYS	MAIN BODY

SIZE	DWG NO.	REV
A3	C-HVSL1000081XXXX	D
SCALE: 1:1		SHEET 2 OF 3



HVSL1000081 X I XX
 "X"=A/B
 "XX"=25/35/50/70

ITEM	P/N	Q'ty	REMARK	DESCRIPTION
8	C210003611	1	ALL	STAINLESS STEEL ROPE ASSEMBLY
7	C210003610	1	ALL	HVIL ASSEMBLY
6	C2200037254	1	70mm ²	END CAP(CABLE OD:19.0 ± 0.3mm)
	C2200037251	1	50mm ²	END CAP(CABLE OD:16.5 ± 0.3mm)
	C2200037252	1	35mm ²	END CAP(CABLE OD:14.2 ± 0.3mm)
	C2200037253	1	25mm ²	END CAP(CABLE OD:11.9 ± 0.3mm)
5	C2700036044	1	70mm ²	CABLE SEAL(CABLE OD:19.0 ± 0.3mm)
	C2700036041	1	50mm ²	CABLE SEAL(CABLE OD:16.5 ± 0.3mm)
	C2700036042	1	35mm ²	CABLE SEAL(CABLE OD:14.2 ± 0.3mm)
	C2700036043	1	25mm ²	CABLE SEAL(CABLE OD:11.9 ± 0.3mm)
4	C2000036321	1	70mm ²	INNER FERRULE(CABLE OD:19.0 ± 0.3mm)
	C2000036322	1	50mm ²	INNER FERRULE(CABLE OD:16.5 ± 0.3mm)
	C2000036323	1	35mm ²	INNER FERRULE(CABLE OD:14.2 ± 0.3mm)
	C2000036324	1	25mm ²	INNER FERRULE(CABLE OD:11.9 ± 0.3mm)
3	C4200036331	1	70mm ²	OUT FERRULE(CABLE OD:19.0 ± 0.3mm)
	C4200036332	1	50mm ²	OUT FERRULE(CABLE OD:16.5 ± 0.3mm)
	C4200036333	1	35mm ²	OUT FERRULE(CABLE OD:14.2 ± 0.3mm)
	C4200036333	1	25mm ²	OUT FERRULE(CABLE OD:11.9 ± 0.3mm)
2	C4200036311	1	70mm ²	CONTACT BODY
	C4200036312	1	50mm ²	
	C4200036313	1	35mm ²	
	C4200036314	1	25mm ²	
1	HVSL1000081X	1	KEYS	MAIN BODY
ITEM	P/N	Q'ty	REMARK	DESCRIPTION

HVSL1000081X SELECTION:

HVSL1000081A	KEY A
HVSL1000081B	KEY B

SIZE A3	DWG NO. C-HVSL1000081XXXX	REV D
SCALE: 1:1		SHEET 3 OF 3