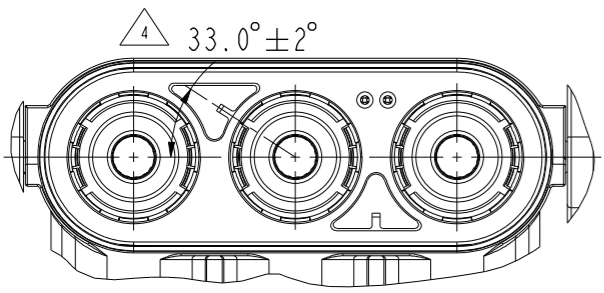
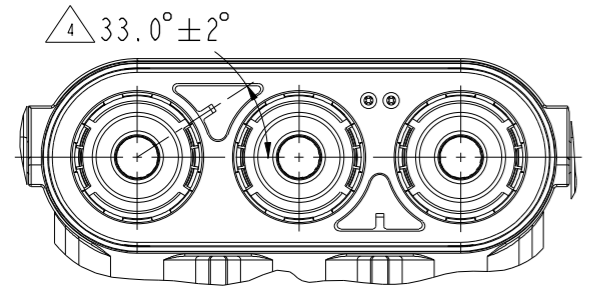


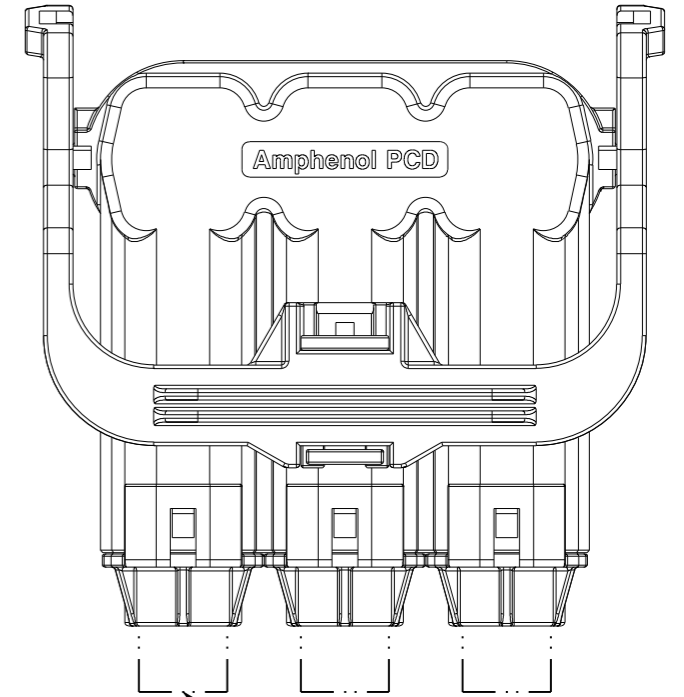
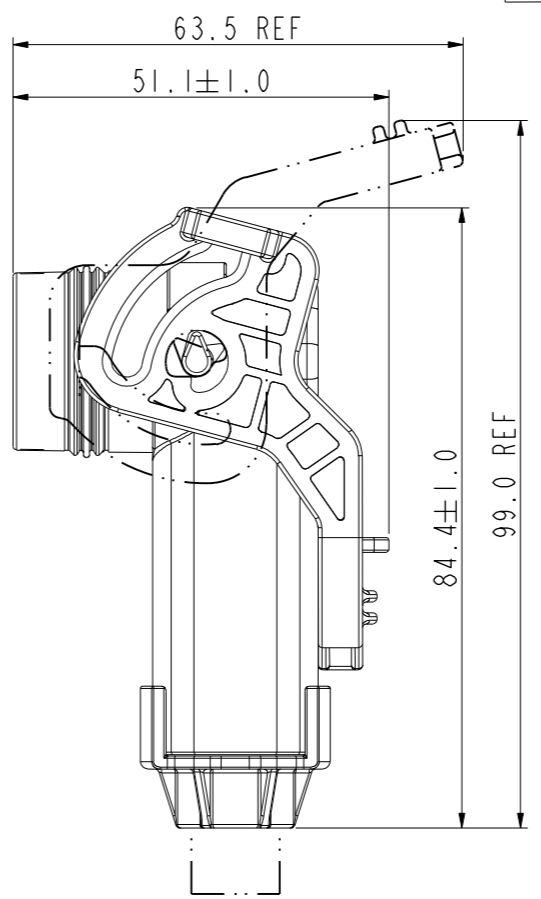
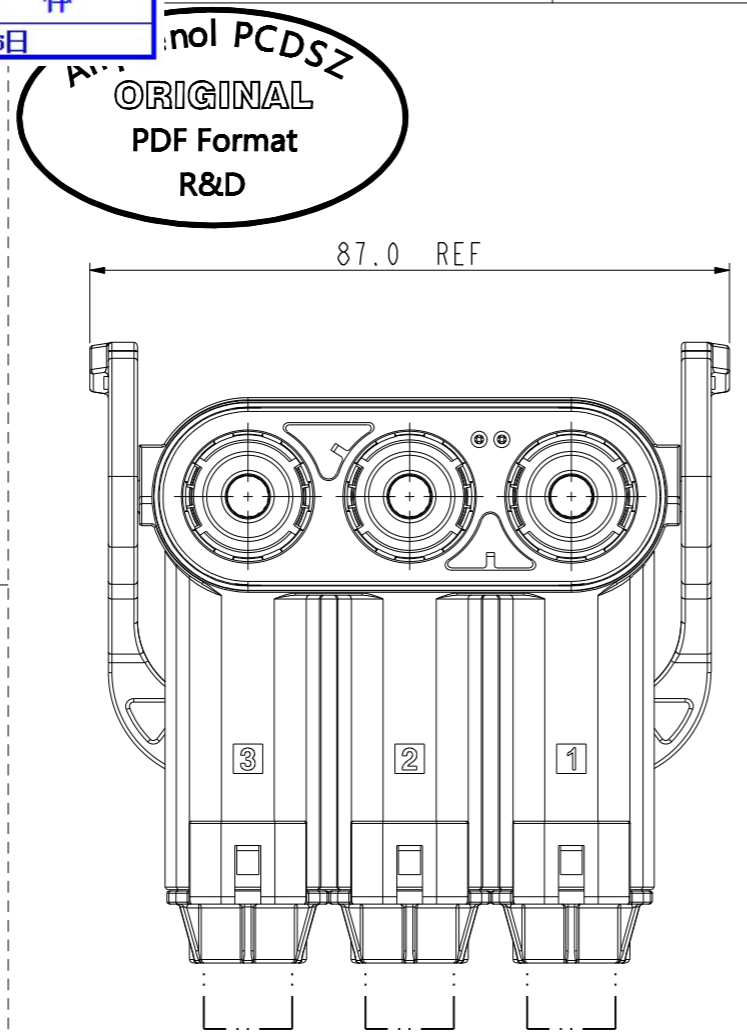
REV	ECN	DESCRIPTION	DATE
2		PRE-RELEASE	2017.10.19
3	R3409-N	SIZE CHANGE OF STERN COVER	2019.08.14
4	R4010W	ADJUST THE DATA/CORRECT THE ERROR	2019.12.25



HVSL5600083A
CODING A



HVSL5600083B
CODING B



16~25MM² CABLE

TECHNICAL DATA

CURRENT RATE (25MM ² CABLE)	120A @ AMBIENT 70°C	+
CURRENT RATE (16MM ² CABLE)	80A @ AMBIENT 70°C	+
RATING VOLTAGE (OVERVOLTAGE CATEGORY II POLLUTION DEGREE 2)	1000V DC	+
OPERATING TEMPERATURE	-40~125°C	
DIELECTRIC WITHSTANDING VOLTAGE	3000V AC(RMS)	+
INSULATION RESISTANCE	100MΩ MIN.@25°C	+
DURABILITY	50 CYCLES	⊙
SHIELDING	YES	
WATERPROOF (MATED CONDITION)	IP67、IP6K9K	+
PROTECTION LEVEL(UNMATED)	IP2XB	+
AMBIENT TEMPERATURE	-40~70°C	
RoHS	YES	+

NOTES:

- MATERIAL & FINISH:
 - △ PLASTIC BODY: ZINC ALLOY COLOR ZINC PLATED
 - POWER CONTACT: COPPER ALLOY SILVER PLATED
 - HVIL CONTACTS: COPPER ALLOY GOLD PLATED
 - SEAL RING: SI
- PART NUMBER DESCRIPTION:
 - +: CRITICAL CHARACTERISTICS/关键特性
 - ⊙: IMPORTANT CHARACTERISTICS/重要特性

HVSL5600083XXXX

- A: CODING A
- B: CODING B
- 0: WITHOUT HVIL
- 1: WITH HVIL
- 25: CROSS-SECTION 25mm²
SHIELDING WIRE OD=11.9 ± 0.3mm
- 16: CROSS-SECTION 16mm²
SHIELDING WIRE OD=11.2 ± 0.25mm

DIMENSIONS	TOLERANCES	PROJECTION	TITLE		
ANSI Y14.5M UNITS: MM Pro/E FILE	.X ±0.5 .XX ±0.05 ANGLES ±0.5°		Amphenol Pcd Shenzhen		
ORIGINAL	THIS DOCUMENT CONTAINS PROPRIETARY INFORMATION WHICH IS THE CONFIDENTIAL PROPERTY OF AMPHENOL PCD SHENZHEN		ENGR	2017.10.19	
			CHKD	SIZE	DWG NO.
			APPD	A3	C-HVSL5600083XXXX
				REV	4
			CODE: 58982	SCALE: 2:1	SHEET 1 OF 2

C-HVSL5600083XXXX

C-HVSL5600083XXXX

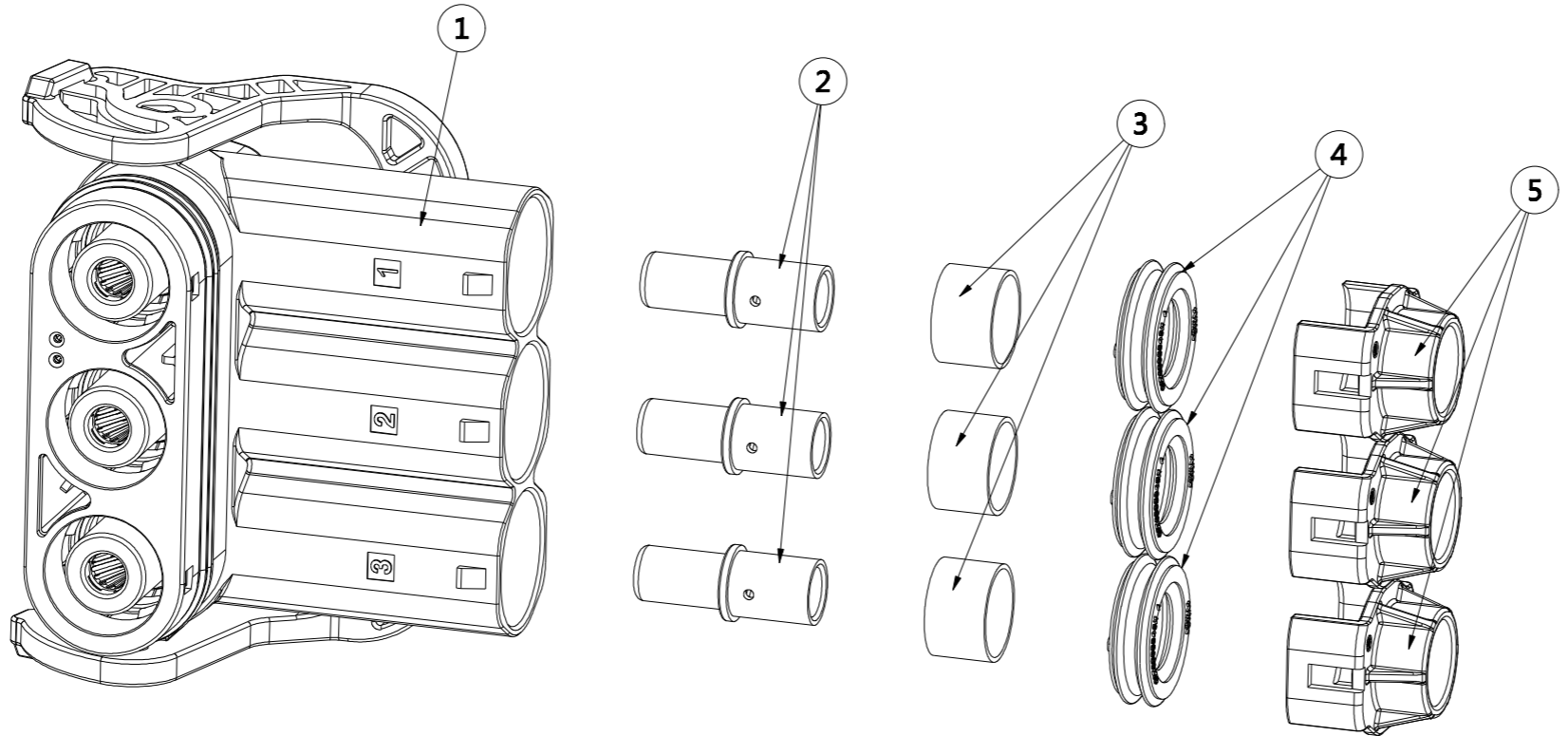


TABLE 1
HVSL600083X1 SELECTION:

MAIN BODY P/N	KEY X
HVSL600083A1	KEY A
HVSL600083B1	KEY B

TABLE 2
HVSL600083X0 SELECTION:

MAIN BODY P/N	KEY X
HVSL600083A0	KEY A
HVSL600083B0	KEY B

ASSEMBLY P/N	ITEM	COMPONENT P/N	CABLE SIZE	DESCRIPTION	Q'TY	
HVSL600083X1XX	5	C2200036952	16mm2	END CAP (WIRE OD=11.2 ± 0.25mm)	3	
		C2200036951	25mm2	END CAP (WIRE OD=11.9 ± 0.3mm)	3	
	4	C2700036492	16mm2	CABLE SEAL (WIRE OD=11.2 ± 0.25mm)	3	
		C2700036491	25mm2	CABLE SEAL (WIRE OD=11.9 ± 0.3mm)	3	
	3	P03BM00326	16mm2	OUT FERRULE	3	
		C200003641	25mm2	OUT FERRULE	3	
	2	C2000052271	16mm2	PIN CONTACT	3	
		C200005227	25mm2	PIN CONTACT	3	
	△4	1	SEE TABLE 1	N/A	MAIN BODY & WITH HVIL	1

ASSEMBLY P/N	ITEM	COMPONENT P/N	CABLE SIZE	DESCRIPTION	Q'TY	
HVSL600083X0XX	5	C2200036952	16mm2	END CAP (WIRE OD=11.2 ± 0.25mm)	3	
		C2200036951	25mm2	END CAP (WIRE OD=11.9 ± 0.3mm)	3	
	4	C2700036492	16mm2	CABLE SEAL (WIRE OD=11.2 ± 0.25mm)	3	
		C2700036491	25mm2	CABLE SEAL (WIRE OD=11.9 ± 0.3mm)	3	
	3	P03BM00326	16mm2	OUT FERRULE	3	
		C200003641	25mm2	OUT FERRULE	3	
	2	C2000052271	16mm2	PIN CONTACT	3	
		C200005227	25mm2	PIN CONTACT	3	
	△4	1	SEE TABLE 2	N/A	MAIN BODY & WITHOUT HVIL	1

C-HVSL600083XXXX

C-HVSL600083XXXX