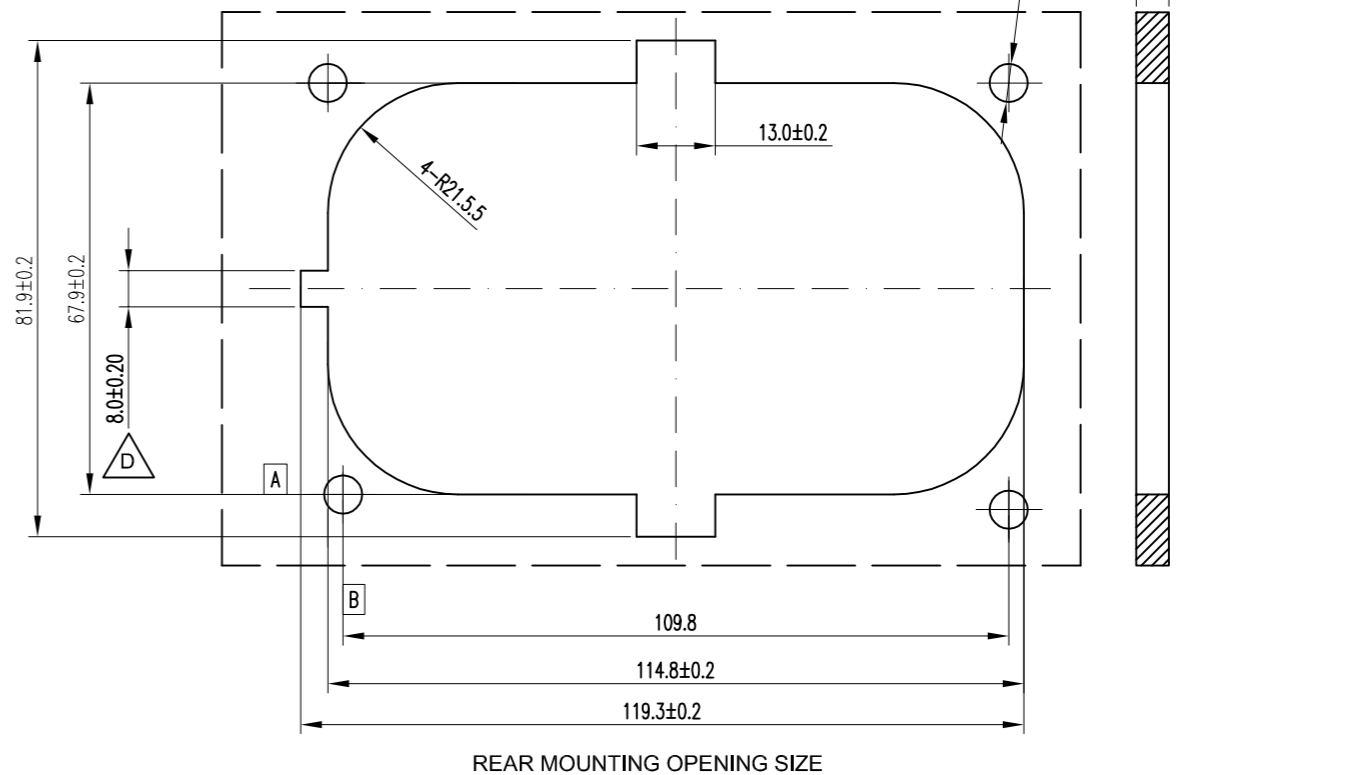
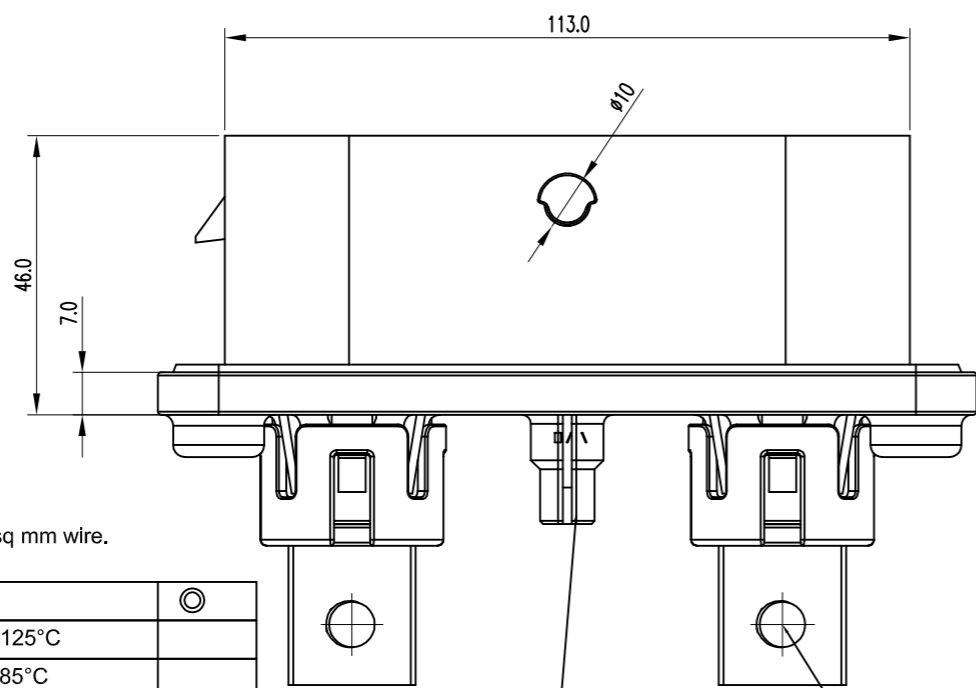
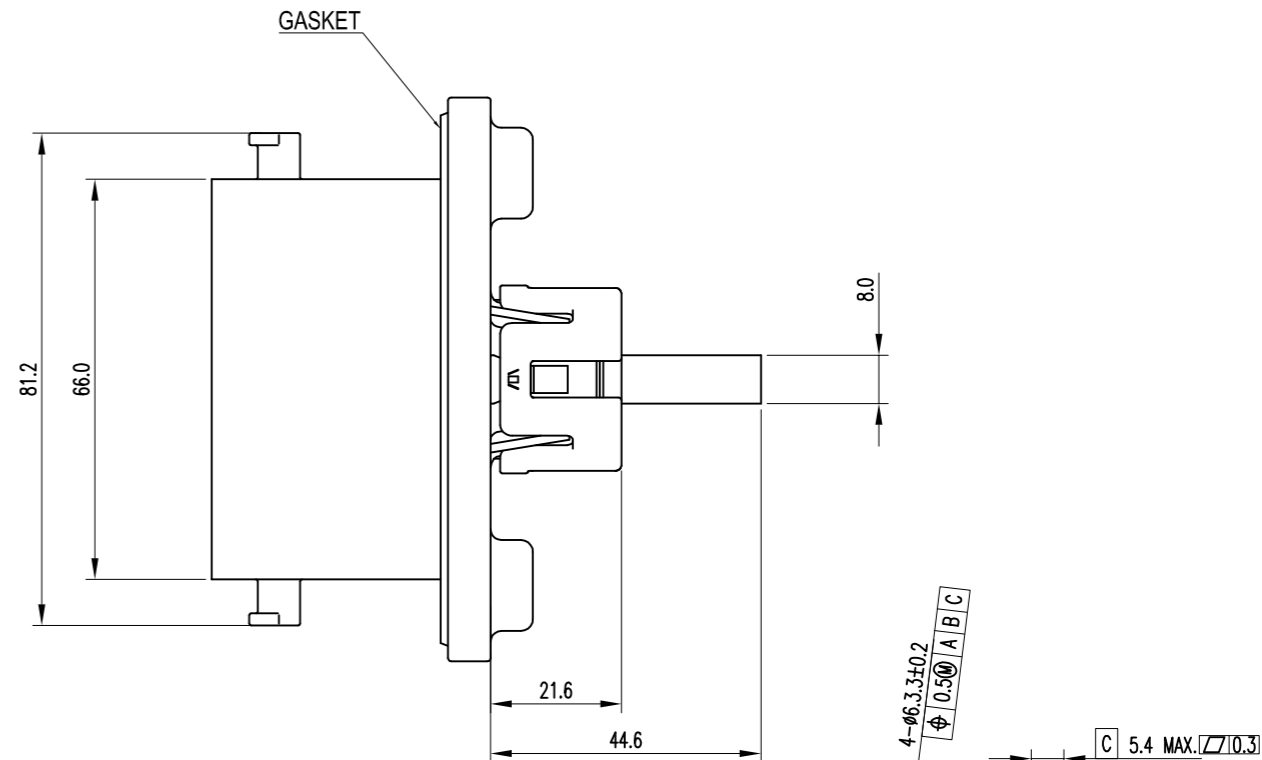
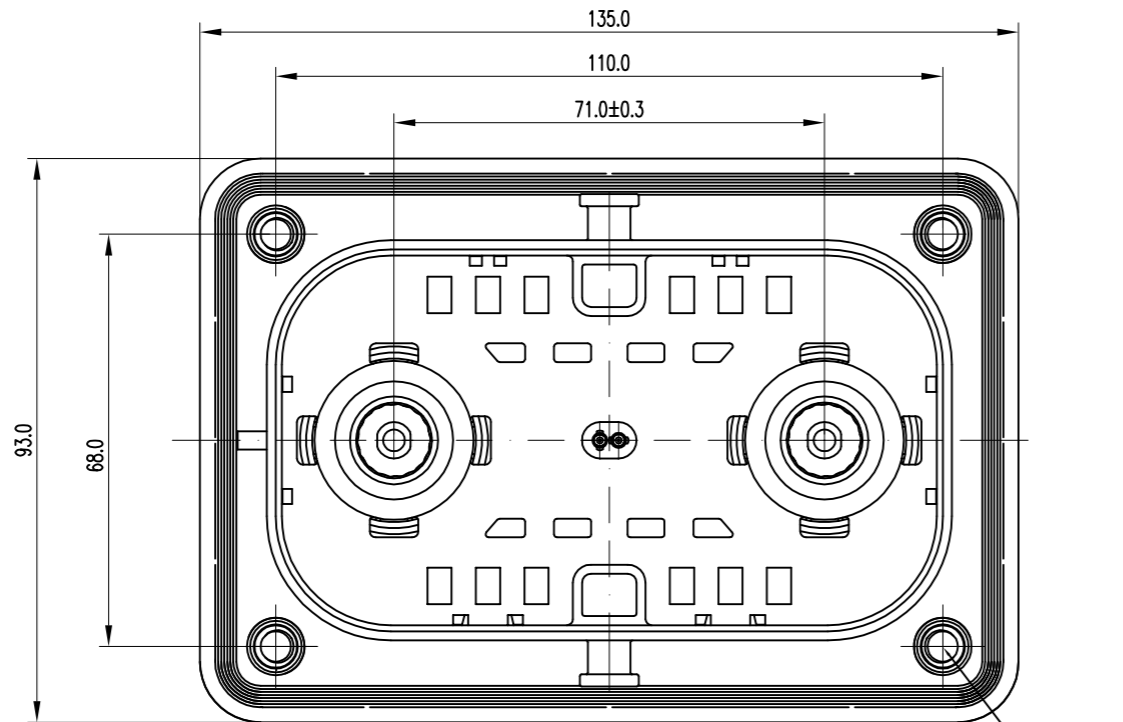


Amphenol PCD SZ
ORIGINAL
PDF Format
R&D



TECHNICAL SPECIFICATONS:

1. Threaded stud torque limits:
(M6):8 N.M;(M8):13.4 N.M
2. Signal connector: C200003643; crimp 0.5 sq mm wire.
3. Mounting surface thickness: 5mm MAX.

HVIL PIN:
P/N:C200003643
2pcs

Mating & un-mating force	<100N	◎
Temperature range	-40°C~+125°C	
Storage temperature	-40°C~+85°C	
Ambient temperature	-40°C~+70°C	
Rated current	Rated Max.:350A Peak:400A	+
Rated voltage	1500V DC	+
Withstanding voltage	>2500V AC	+
Insulation resistance	>100MΩ	+
Durability	>500 Cycles	◎
IP-Class	IP67;IP69k(Mated)	+
Humidity	40%~70% (23±5~C)	
Housing Material	PA66+GF	+
Flammability	UL-94V0	+
RoHS	RoHS	+
DESCRIPTION	PARAMETER	SYMBOL

DIMENSIONS ANSI Y14.5M UNITS: MM CAD FILE	TOLERANCES .X ±1 .XX ±0.5 ANGLES ±0.5°	PROJECTION 	TITLE Amphenol Pcd Shenzhen		
			MSD XL SOCKET		
ORIGINAL	THIS DOCUMENT CONTAINS PROPRIETARY INFORMATION WHICH IS THE CONFIDENTIAL PROPERTY OF AMPHENOL PCD SHENZHEN	CHKD APPD	SIZE A3	DWG NO. C_MSDXLF000R	REV D
			CODE:	SCALE 1:1	SHEET 1 OF 1